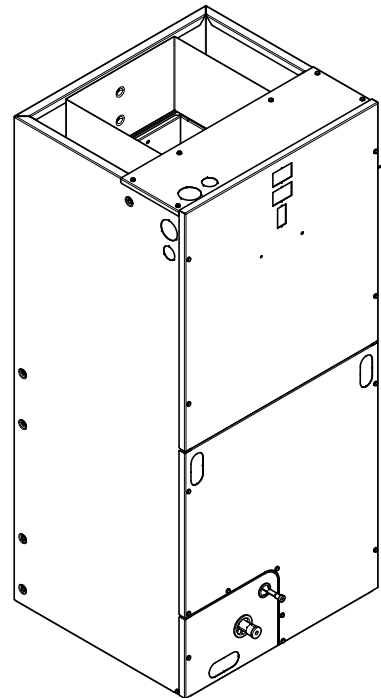




# Submittal

## 4 Ton Convertible Air Handler TEM3A0C48S41SA



TAG: \_\_\_\_\_

### **⚠ SAFETY WARNING**

Only qualified personnel should install and service the equipment. The installation, starting up, and servicing of heating, ventilating, and air-conditioning equipment can be hazardous and requires specific knowledge and training. Improperly installed, adjusted or altered equipment by an unqualified person could result in death or serious injury. When working on the equipment, observe all precautions in the literature and on the tags, stickers, and labels that are attached to the equipment.





# Product Specifications

<b>MODEL</b>	TEM3A0C48S41SA
<b>RATED VOLTS/PH/HZ</b>	208-230/1/60
<b>RATINGS<sup>(a)</sup></b>	See O.D. Specifications
<b>INDOOR COIL — Type</b>	Plate Fin
Rows — F.P.I.	3 - 14
Face Area (sq. ft.)	5.50
Tube Size (in.)	3/8
Refrigerant Control	TXV
Drain Conn. Size (in.) <sup>(b)</sup>	3/4 NPT
<b>DUCT CONNECTIONS</b>	See Outline Drawing
<b>INDOOR FAN — Type</b>	Centrifugal
Diameter-Width (In.)	10 X 10
No. Used	1
Drive - No. Speeds	Direct - 3
CFM vs. in. w.g.	See Fan Performance Table
No. Motors — H.P.	1 - 1/2
Motor Speed R.P.M.	1075
Volts/Ph/Hz	208-230/1/60
F.L. Amps	2.6
<b>FILTER</b>	
Filter Furnished? <sup>(c)</sup>	No
<b>REFRIGERANT</b>	R-410A
Ref. Line Connections	Brazed
Coupling or Conn. Size — in. Gas	7/8

Coupling or Conn. Size — in. Liq.	3/8
<b>DIMENSIONS</b>	H x W x D
Crated (In.)	52-1/2 x 26 x 24
Uncrated	51-3/8 x 23-1/2 x 21-1/8
<b>WEIGHT</b>	
Shipping (Lbs.) / Net (Lbs.)	145/138

<sup>(a)</sup> These Air Handlers are A.H.R.I certified with various Split System Air Conditioners and Heat Pumps (AHRI STANDARD 210/240). Refer to the Split System Outdoor Unit Product Data Guides for performance data.

<sup>(b)</sup> 3/4" Male Plastic Pipe (Ref: ASTM 1785-76)

<sup>(c)</sup> Remote filter required.

## Minimum Airflow CFM

TEM3A0C48S41SA		
Heater	Minimum Heat Speed Tap	
	With Heat Pump	Without Heat Pump
BAYHTR1504BRK, BAYHTR1504PDC, BAYHTR1504LUG, BAYHTR1505BRK, BAYHTR1505PDC, BAYHTR1505LUG	Low	Low
BAYHTR1508BRK, BAYHTR1508PDC, BAYHTR1508LUG, BAYHTR1510BRK, BAYHTR1510PDC, BAYHTR1510LUG, BAYHTR3510LUG	Low	Low
BAYHTR1515BRK, BAYHTR3515LUG, BAYHTR1520BRK	Low	Low



# Heater Pressure Drop Table

## TEM Air Handler Models

Airflow CFM	Number of Racks				Heater Racks	
	1	2	3	4	Heater Model	No. of Racks
	Air Pressure Drop — Inches W.G.					
1800	0.02	0.04	0.06	0.14	BAYHTR1504	1
1700	0.02	0.04	0.06	0.14	BAYHTR1505	1
1600	0.02	0.04	0.06	0.13	BAYHTR1508	2
1500	0.02	0.04	0.06	0.12	BAYHTR1510	2
1400	0.02	0.04	0.06	0.12	BAYHTR3510	3
1300	0.02	0.04	0.05	0.11	BAYHTR1515	3
1200	0.01	0.04	0.05	0.10	BAYHTR3515	3
1100	0.01	0.03	0.05	0.09	BAYHTR1519	4
1000	0.01	0.03	0.04	0.09	BAYHTR1520	4
900	0.01	0.03	0.04	0.08	BAYHTR1521	4
800	0.01	0.03				
700	0.01	0.02				
600	0.01	0.02				



# Performance and Electrical Data

1. See Product Data or Air Handler nameplate for approved combinations of Air Handlers and Heaters.
2. Heater model numbers may have additional suffix digits.

**Table 1. Air Flow Performance**

TEM3AOC48S41SA (a) (b)						
EXTERNAL STATIC (in w.g)	AIRFLOW					
	Speed Taps — 230 VOLTS			Speed Taps — 208 VOLTS		
	High	Med	Low †	High	Med	Low †
0.1	1959	1704	1344	1786	1465	1154
0.2	1898	1675	1332	1748	1462	1126
0.3	1828	1631	1325	1697	1444	1108
0.4	1750	1574	1310	1633	1410	1095
0.5	1662	1504	1277	1557	1359	1076
0.6	1563	1420	1223	1468	1289	1039
0.7	1452	1321		1365		

1. Values are with wet coil, no filter, and no heaters  
 2. CFM Correction for dry coil = Add 3%  
 3. † = Factory setting

(a) For TEM3AOC48S41SA, the recommended speed tap is medium at 0.4" external static pressure.  
 (b) For TEM3AOC48S41SA in downflow applications, airflow must not exceed 1600 cfm due to condensate blow off.



## Performance and Electrical Data

**Table 2. Electrical Data**

TEM3AOC48S41SA											
Heater Model No.	No. of Circuits/ Phases	240 Volt					208 Volt				
		Capacity		Heater Amps per Circuit	Minimum Circuit Ampacity	Maximum Overload Protection	Capacity		Heater Amps per Circuit	Minimum Circuit Ampacity	Maximum Overload Protection
		kW	BTU-H				kW	BTUH			
No Heater				2.6 *	3	15			2.6 *	3	15
BAYHTR1504BRK BAYHTR1504PDC BAYHTR1504LUG	1/1	3.84	131-00	16.0	23	25	2.88	9800	13.8	21	25
BAYHTR1505BRK BAYHTR1505PDC BAYHTR1505LUG	1/1	4.8	164-00	20.0	28	30	3.6	123-00	17.3	25	25
BAYHTR1508BRK BAYHTR1508PDC BAYHTR1508LUG	1/1	7.68	262-00	32.0	43	45	5.76	197-00	27.7	38	40
BAYHTR1510BRK BAYHTR1510PDC BAYHTR1510LUG	1/1	9.6	328-00	40.0	53	60	7.2	246-00	34.6	47	50
BAYHTR1515BRK-Circuit 1 <sup>(a)</sup>	2/1	9.6	328-00	40.0	53	60	7.2	246-00	34.6	47	50
BAYHTR1515BRK-Circuit 2		4.8	164-00	20.0	25	25	3.6	123-00	17.3	22	25
BAYHTR1520BRK-Circuit 1 <sup>(a)</sup>	2/1	9.6	328-00	40.0	53	60	7.2	246-00	34.6	47	50
BAYHTR1520BRK-Circuit 2		9.6	328-00	40.0	50	50	7.2	246-00	34.6	43	45
BAYHTR3510LUG	1/3	9.6	328-00	23.1	32	35	7.2	246-00	20.0	28	30
BAYHTR3515LUG	1/3	14.4	492-00	34.6	46	50	10.8	369-00	30.0	40	40
BAYHTR1515BRK with single circuit power source kit BAYSPEKT201A	1/1	14.4	492-00	60.0	83	90	10.8	369-00	51.9	73	80
BAYHTR1520BRK with single circuit power source kit BAYSPEKT201A	1/1	19.2	655-00	80.0	108	110	14.4	492-00	69.2	94	100

\* = Motor Amps

<sup>(a)</sup> MCA and MOP for circuit 1 contains the motor amps.



## Features and Benefits

- Painted metal cabinet with captured foil face insulation
- 2% or less air leakage
- R-4.2 Insulating Value
- Multi-Position UP/Down Flow, Horizontal Left /Right
- ALL Aluminum Coil with Enhanced Patented Coil Fin
- Electric Heaters with polarized plug connections (sold as accessory)
- R-410A Thermal Expansion Valve
- ECM Motor (**5 Ton Models Only**)
- Low Voltage Pigtail Connections
- Draw Through Design
- Horizontal Drain pan
- Single Color
- Fused 24V Power
- **1 year warranty**
- **10-year warranty registered**
- **Optional extended warranty available**

**Important:** Condensate management kit is required for all 5 ton air handler models installed in downflow applications.



Trane optimizes the performance of homes and buildings around the world. A business of Ingersoll Rand, the leader in creating and sustaining safe, comfortable and energy efficient environments, Trane offers a broad portfolio of advanced controls and HVAC systems, comprehensive building services, and parts. For more information, visit [www.Trane.com](http://www.Trane.com).

Trane has a policy of continuous product and product data improvements and reserves the right to change design and specifications without notice.

©2014 Trane

TEM3A0C48-SUB-1C-EN 04 Jul 2014

Supersedes TEM3A0C48-SUB-1B-EN (May 2014)

