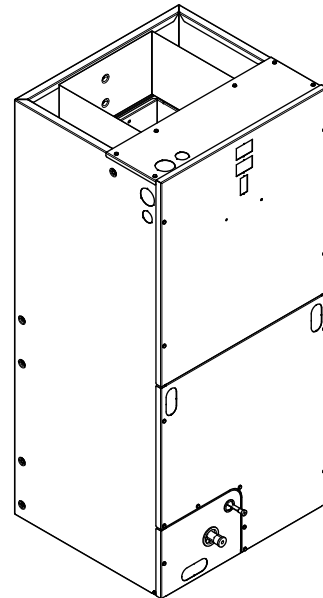




Product Data

Convertible Air Handlers 1-1/2 – 5 Ton

TEM3A0B18S21SA
TEM3A0B24S21SA
TEM3A0B30S31SA
TEM3A0B36S31SA
TEM3A0C42S41SA
TEM3A0C48S41SA
TEM3A0C60S51SA



The TEM3 series air handler is designed for installation in a closet, utility room, alcove, basement, crawlspace or attic. These versatile units are applicable to air conditioning and heat pump applications. Several models are available to meet the specific requirements of the outdoor equipment. Field installed electric resistance heaters are available.



Table of Contents

Features and Benefits	3
Optional Equipment	3
Product Specifications	4
Heater Pressure Drop Table TEM Air Handler Models	6
Minimum Airflow CFM	7
Performance and Electrical Data	8
TEM3 Air Handler and Heater Matrix Allowable Combinations.....	12
Electrical Data	13
Field Wiring.....	14
TEM Convertibility	15
TEM3 Air Handler Dimensional Data.....	16
Outline Drawing	17



Features and Benefits

- Painted metal cabinet with captured foil face insulation
- 2% or less air leakage
- R-4.2 Insulating Value
- Multi-Position UP/Down Flow, Horizontal Left /Right
- ALL Aluminum Coil with Enhanced Patented Coil Fin
- Electric Heaters with polarized plug connections (sold as accessory)
- R-410A Thermal Expansion Valve
- ECM Motor **(5 Ton Models Only)**
- Low Voltage Pigtail Connections
- Draw Through Design
- Horizontal Drain pan
- Single Color
- Fused 24V Power
- **1 year warranty**
- **10-year warranty registered**
- **Optional extended warranty available**

Important: Condensate management kit is required for all 5 ton air handler models installed in downflow applications.

Optional Equipment

Accessory Number	Description	Fits Cabinet Size
BAYHTR1504BRK	Electric Heater, 4KW, Breaker, 24V Control, 1 Ph	18.5" and 23.5"
BAYHTR1504PDC	Electric Heater, 4KW, Pull Disconnect, 24V Control, 1 Ph	18.5" and 23.5"
BAYHTR1504LUG	Electric Heater, 4KW, Lug, 24V Control, 1 Ph	18.5" and 23.5"
BAYHTR1505BRK	Electric Heater, 5KW, Breaker, 24V Control, 1 Ph	18.5" and 23.5"
BAYHTR1505PDC	Electric Heater, 5KW, Pull Disconnect, 24V Control, 1 Ph	18.5" and 23.5"
BAYHTR1505LUG	Electric Heater, 5KW, Lug, 24V Control, 1 Ph	18.5" and 23.5"
BAYHTR1508BRK	Electric Heater, 4KW, Breaker, 24V Control, 1 Ph	18.5" and 23.5"
BAYHTR1508PDC	Electric Heater, 8KW, Pull Disconnect, 24V Control, 1 Ph	18.5" and 23.5"
BAYHTR1508LUG	Electric Heater, 8KW, Lug, 24V Control, 1 Ph	18.5" and 23.5"
BAYHTR1510BRK	Electric Heater, 10KW, Breaker, 24V Control, 1 Ph	18.5" and 23.5"
BAYHTR1510PDC	Electric Heater, 10KW, Pull Disconnect, 24V Control, 1 Ph	18.5" and 23.5"
BAYHTR3510LUG	Electric Heater, 10KW, Lug, 24V Control, 3 Ph	18.5" and 23.5"
BAYHTR3515LUG	Electric Heater, 10KW, Lug, 24V Control, 3 Ph	18.5" and 23.5"
BAYHTR1515BRK	Electric Heater, 15KW, Breaker, 24V Control, 1 Ph	18.5" and 23.5"
BAYHTR3515LUG	Electric Heater, 15KW, Lug, 24V Control, 3 Ph	18.5" and 23.5"
BAYHTR1519BRK	Electric Heater, 20KW, Breaker, 24V Control, 1 Ph	18.5" and 23.5"
BAYHTR1520BRK	Electric Heater, 20KW, Breaker, 24V Control, 1 Ph	18.5"
BAYTEMSPFG1A	Supply Duct Flange Kit	23.5"
BAYSPEKT201A	Single Point Power Entry Kit	18.5" and 23.5"
BAYTEMDFKT1A ^(a)	Downflow Condensate Management Kit	23.5" (5 Ton only)
TAYBASE185	Air Handler Downflow Sub-Bases	18.5"
TAYBASE235 (TAYBASE 100)	Air Handler Downflow Sub-Bases	23.5"

^(a) Required with all 5-ton air handler models in downflow orientation.



Product Specifications

MODEL	TEM3A0B18S21SA	TEM3A0B24S21SA	TEM3A0B30S31SA	TEM3A0B36S31SA
RATED VOLTS/PH/HZ	208-230/1/60	208-230/1/60	208-230/1/60	208-230/1/60
RATINGS^(a)	See O.D. Specifications	See O.D. Specifications	See O.D. Specifications	See O.D. Specifications
INDOOR COIL — Type	Plate Fin	Plate Fin	Plate Fin	Plate Fin
Rows — F.P.I.	3 - 14	3 - 14	3 - 14	3 - 14
Face Area (sq. ft.)	4.37	4.37	4.37	4.37
Tube Size (in.)	3/8	3/8	3/8	3/8
Refrigerant Control	TXV	TXV	TXV	TXV
Drain Conn. Size (in.) ^(b)	3/4 NPT	3/4 NPT	3/4 NPT	3/4 NPT
DUCT CONNECTIONS	See Outline Drawing	See Outline Drawing	See Outline Drawing	See Outline Drawing
INDOOR FAN — Type	Centrifugal	Centrifugal	Centrifugal	Centrifugal
Diameter-Width (In.)	9 X 7	9 X 7	10 X 8	10 X 8
No. Used	1	1	1	1
Drive - No. Speeds	Direct - 3	Direct - 3	Direct - 3	Direct - 3
CFM vs. in. w.g.	See Fan Performance Table	See Fan Performance Table	See Fan Performance Table	See Fan Performance Table
No. Motors — H.P.	1 - 1/4	1 - 1/4	1 - 1/2	1 - 1/2
Motor Speed R.P.M.	1075	1075	1075	1075
Volts/Ph/Hz	208-230/1/60	208-230/1/60	208-230/1/60	208-230/1/60
F.L. Amps	1.3	1.3	2.5	2.5
FILTER				
Filter Furnished? ^(c)	No	No	No	No
REFRIGERANT	R-410A	R-410A	R-410A	R-410A
Ref. Line Connections	Brazed	Brazed	Brazed	Brazed
Coupling or Conn. Size — in. Gas	3/4	3/4	3/4	3/4
Coupling or Conn. Size — in. Liq.	3/8	3/8	3/8	3/8
DIMENSIONS	H x W x D	H x W x D	H x W x D	H x W x D
Crated (In.)	46 x 21 x 24	46 x 21 x 24	46 x 21 x 24	46 x 21 x 24
Uncrated	45-1/8 x 18-1/2 x 21-1/8	45-1/8 x 18-1/2 x 21-1/8	45-1/8 x 18-1/2 x 21-1/8	45-31/8 x 18-1/2 x 21-1/8
WEIGHT				
Shipping (Lbs.) / Net (Lbs.)	116/110	116/110	116/110	116/110

^(a) These Air Handlers are A.H.R.I certified with various Split System Air Conditioners and Heat Pumps (AHRI STANDARD 210/240). Refer to the Split System Outdoor Unit Product Data Guides for performance data.

^(b) 3/4" Male Plastic Pipe (Ref: ASTM 1785-76)

^(c) Remote filter required.

Product Specifications

MODEL	TEM3A0C42S41SA	TEM3A0C48S41SA	TEM3A0C60S51SA
RATED VOLTS/PH/HZ	208-230/1/60	208-230/1/60	208-230/1/60
RATINGS ^(a)	See O.D. Specifications	See O.D. Specifications	See O.D. Specifications
INDOOR COIL — Type	Plate Fin	Plate Fin	Plate Fin
Rows — F.P.I.	3 - 14	3 - 14	4 - 14
Face Area (sq. ft.)	5.50	5.50	5.91
Tube Size (in.)	3/8	3/8	3/8
Refrigerant Control	TXV	TXV	TXV
Drain Conn. Size (in.) ^(b)	3/4 NPT	3/4 NPT	3/4 NPT
DUCT CONNECTIONS	See Outline Drawing	See Outline Drawing	See Outline Drawing
INDOOR FAN — Type	Centrifugal	Centrifugal	Centrifugal
Diameter-Width (In.)	10 X 10	10 X 10	11 X 10
No. Used	1	1	1
Drive - No. Speeds	Direct - 3	Direct - 3	Direct - 3 ^(c)
CFM vs. in. w.g.	See Fan Performance Table	See Fan Performance Table	See Fan Performance Table
No. Motors — H.P.	1 - 1/2	1 - 1/2	1 - 3/4
Motor Speed R.P.M.	1075	1075	1050
Volts/Ph/Hz	208-230/1/60	208-230/1/60	208-230/1/60
F.L. Amps	2.6	2.6	6.3
FILTER			
Filter Furnished? ^(d)	No	No	No
REFRIGERANT	R-410A	R-410A	R-410A
Ref. Line Connections	Brazed	Brazed	Brazed
Coupling or Conn. Size — in. Gas	7/8	7/8	7/8
Coupling or Conn. Size — in. Liq.	3/8	3/8	3/8
DIMENSIONS	H x W x D	H x W x D	H x W x D
Crated (In.)	52-1/2 x 26 x 24	52-1/2 x 26 x 24	52-1/2 x 26 x 24
Uncrated	51-3/8 x 23-1/2 x 21-1/8	51-3/8 x 23-1/2 x 21-1/8	51-3/8 x 23-1/2 x 21-1/8
WEIGHT			
Shipping (Lbs.) / Net (Lbs.)	145/138	145/138	145/138

^(a) These Air Handlers are A.H.R.I certified with various Split System Air Conditioners and Heat Pumps (AHRI STANDARD 210/240). Refer to the Split System Outdoor Unit Product Data Guides for performance data.

^(b) 3/4" Male Plastic Pipe (Ref: ASTM 1785-76)

^(c) ECM motor

^(d) Remote filter required.



Heater Pressure Drop Table TEM Air Handler Models

Airflow CFM	Number of Racks				Heater Racks	
	1	2	3	4	Heater Model	No. of Racks
	Air Pressure Drop — Inches W.G.					
1800	0.02	0.04	0.06	0.14	BAYHTR1504	1
1700	0.02	0.04	0.06	0.14	BAYHTR1505	1
1600	0.02	0.04	0.06	0.13	BAYHTR1508	2
1500	0.02	0.04	0.06	0.12	BAYHTR1510	2
1400	0.02	0.04	0.06	0.12	BAYHTR3510	3
1300	0.02	0.04	0.05	0.11	BAYHTR1515	3
1200	0.01	0.04	0.05	0.10	BAYHTR3515	3
1100	0.01	0.03	0.05	0.09	BAYHTR1519	4
1000	0.01	0.03	0.04	0.09	BAYHTR1520	4
900	0.01	0.03	0.04	0.08	BAYHTR1521	4
800	0.01	0.03				
700	0.01	0.02				
600	0.01	0.02				



Minimum Airflow CFM

TEM3A0B18S21SA, TEM3A0B24S21SA		
Heater	Minimum Heat Speed Tap	
	With Heat Pump	Without Heat Pump
BAYHTR1504BRK, BAYHTR1504PDC, BAYHTR1504LUG, BAYHTR1505BRK, BAYHTR1505PDC, BAYHTR1505LUG	Low	Low
BAYHTR1508BRK, BAYHTR1508PDC, BAYHTR1508LUG, BAYHTR1510BRK, BAYHTR1510PDC, BAYHTR1510LUG, BAYHTR3510LUG	Low	Low

TEM3A0B30S31SA, TEM3A0B36S31SA		
Heater	Minimum Heat Speed Tap	
	With Heat Pump	Without Heat Pump
BAYHTR1504BRK, BAYHTR1504PDC, BAYHTR1504LUG, BAYHTR1505BRK, BAYHTR1505PDC, BAYHTR1505LUG	Low	Low
BAYHTR1508BRK, BAYHTR1508PDC, BAYHTR1508LUG, BAYHTR1510BRK, BAYHTR1510PDC, BAYHTR1510LUG, BAYHTR3510LUG	Low	Low
BAYHTR1515BRK, BAYHTR3515LUG, BAYHTR1519BRK	Low	Low

TEM3A0C42S41SA, TEM3A0C48S41SA		
Heater	Minimum Heat Speed Tap	
	With Heat Pump	Without Heat Pump
BAYHTR1504BRK, BAYHTR1504PDC, BAYHTR1504LUG, BAYHTR1505BRK, BAYHTR1505PDC, BAYHTR1505LUG	Low	Low
BAYHTR1508BRK, BAYHTR1508PDC, BAYHTR1508LUG, BAYHTR1510BRK, BAYHTR1510PDC, BAYHTR1510LUG, BAYHTR3510LUG	Low	Low
BAYHTR1515BRK, BAYHTR3515LUG, BAYHTR1520BRK	Low	Low

TEM3A0C60S51SA		
Heater	Minimum Heat Speed Tap	
	With Heat Pump	Without Heat Pump
BAYHTR1504BRK, BAYHTR1504PDC, BAYHTR1504LUG, BAYHTR1505BRK, BAYHTR1505PDC, BAYHTR1505LUG	Low	Low
BAYHTR1508BRK, BAYHTR1508PDC, BAYHTR1508LUG, BAYHTR1510BRK, BAYHTR1510PDC, BAYHTR1510LUG, BAYHTR3510LUG	Low	Low
BAYHTR1515BRK, BAYHTR3515LUG, BAYHTR1520BRK	Low	Low

Low = Taps 1-3



Performance and Electrical Data

Table 1. Air Flow Performance

TEM3A0B18S21SA, TEM3A0B24S21SA (a)						
EXTERNAL STATIC (in w.g.)	AIRFLOW					
	Speed Taps — 230 VOLTS			Speed Taps — 208 VOLTS		
	High	Med	Low †	High	Med	Low †
0.1	984	903	719	946	827	612
0.2	948	868	694	910	796	589
0.3	906	828	665	868	760	567
0.4	858	781	630	820	717	543
0.5	802	726	588	764	666	513
0.6	735	660	537	697	605	
0.7	651	581		614	532	

1. Values are with wet coil, no filter, and no heaters
 2. CFM Correction for dry coil = Add 3%
 3. † = Factory setting

(a) For the TEM3A0B24S21SA, the recommended speed tap is medium at 0.4" external static pressure.

Table 2. Electrical Data

TEM3A0B18S21SA, TEM3A0B24S21SA											
Heater Model No.	No. of Cir- cuits/ Phases	240 Volt					208 Volt				
		Capacity		Heater Amps per Circuit	Minimum Circuit Ampacity	Maximum Overload Protection	Capacity		Heater Amps per Circuit	Mini- mum Circuit Ampaci- ty	Maximum Overload Protection
		kW	BTUH				kW	BTUH			
No Heater				1.3 *	2	15			1.3 *	2	15
BAYHTR1504BRK BAYHTR1504PDC BAYHTR1504LUG	1/1	3.84	13100	16.0	22	25	2.88	9800	13.8	19	20
BAYHTR1505BRK BAYHTR1505PDC BAYHTR1505LUG	1/1	4.80	16400	20.0	27	30	3.60	12300	17.3	23	25
BAYHTR1508BRK BAYHTR1508PDC BAYHTR1508LUG	1/1	7.68	26200	32.0	42	45	5.76	19700	27.7	36	40
BAYHTR1510BRK BAYHTR1510PDC BAYHTR1510LUG	1/1	9.60	32800	40.0	52	60	7.20	24600	34.6	45	45
BAYHTR3510LUG	1/3	9.60	32800	23.1	30	30	7.20	24600	20.0	26	30

* = Motor Amps

Table 3. Air Flow Performance

TEM3A0B30S31SA (a), TEM3A0B36S31SA (a) (b)						
EXTERNAL STATIC (in w.g)	AIRFLOW					
	Speed Taps — 230 VOLTS			Speed Taps — 208 VOLTS		
	High	Med	Low †	High	Med	Low †
0.1	1461	1336	979	1406	1173	834
0.2	1404	1291	971	1352	1152	819
0.3	1344	1242	962	1295	1121	810
0.4	1281	1188	944	1234	1081	804
0.5	1214	1130	916	1169	1035	791
0.6	1142	1066	876	1100	981	768
0.7	1066	997		1026	920	732

1. Values are with wet coil, no filter, and no heaters
2. CFM Correction for dry coil = Add 3%
3. † = Factory setting

(a) For TEM3A0B30S31SA and TEM3A0B36S31SA in downflow applications, airflow must not exceed 1200 cfm due to condensate blow off.
(b) For TEM3A0B36S31SA, the recommended speed tap is medium at 0.4" external static pressure.

Table 4. Electrical Data

TEM3A0B30S31SA, TEM3A0B36S31SA											
Heater Model No.	No. of Circuits/ Phases	240 Volt					208 Volt				
		Capacity		Heater Amps per Circuit	Minimum Circuit Ampacity	Maximum Overload Protection	Capacity		Heater Amps per Circuit	Minimum Circuit Ampacity	Maximum Overload Protection
		kW	BTUH				kW	BTUH			
No Heater				2.5 *	3	15			2.5 *	3	15
BAYHTR1504BRK BAYHTR1504PDC BAYHTR1504LUG	1/1	3.84	13100	16.0	23	25	2.88	9800	13.8	20	20
BAYHTR1505BRK BAYHTR1505PDC BAYHTR1505LUG	1/1	4.8	16400	20.0	28	30	3.6	12300	17.3	25	25
BAYHTR1508BRK BAYHTR1508PDC BAYHTR1508LUG	1/1	7.68	26200	32.0	43	45	5.76	19700	27.7	38	40
BAYHTR1510BRK BAYHTR1510PDC BAYHTR1510LUG	1/1	9.6	32800	40.0	53	60	7.2	24600	34.6	46	50
BAYHTR1515BRK- Circuit 1 (a)	2/1	9.6	32800	40.0	53	60	7.2	24600	34.6	46	50
BAYHTR1515BRK- Circuit 2		4.8	16400	20.0	25	25	3.6	12300	17.3	22	25
BAYHTR1519BRK- Circuit 1 (a)	2/1	9.6	32800	40.0	53	60	7.2	24600	34.6	46	50
BAYHTR1519BRK- Circuit 2		9.6	32800	40.0	50	50	7.2	24600	34.6	43	45
BAYHTR3510LUG	1/3	9.6	32800	23.1	32	35	7.2	24600	20.0	28	30
BAYHTR3515LUG	1/3	14.4	49200	34.6	46	50	10.8	36900	30.0	40	40
BAYHTR1515BRK with single circuit power source kit BAYSPEKT201A	1/1	14.4	49200	60.0	83	90	10.8	36900	51.9	73	80
BAYHTR1519BRK with single circuit power source kit BAYSPEKT201A	1/1	19.2	65500	80.0	108	110	14.4	49200	69.2	94	100

* = Motor Amps

(a) MCA and MOP for circuit 1 contains the motor amps



Performance and Electrical Data

Table 5. Air Flow Performance

TEM3AOC42S41SA ^(a) , TEM3AOC48S41SA ^{(a) (b)}						
EXTERNAL STATIC (in w.g.)	AIRFLOW					
	Speed Taps — 230 VOLTS			Speed Taps — 208 VOLTS		
	High	Med	Low †	High	Med	Low †
0.1	1959	1704	1344	1786	1465	1154
0.2	1898	1675	1332	1748	1462	1126
0.3	1828	1631	1325	1697	1444	1108
0.4	1750	1574	1310	1633	1410	1095
0.5	1662	1504	1277	1557	1359	1076
0.6	1563	1420	1223	1468	1289	1039
0.7	1452	1321		1365		

1. Values are with wet coil, no filter, and no heaters
 2. CFM Correction for dry coil = Add 3%
 3. † = Factory setting

^(a) For TEM3AOC42S41SA and TEM3AOC48S41SA in downflow applications, airflow must not exceed 1600 cfm due to condensate blow off.

^(b) For TEM3AOC48S41SA, the recommended speed tap is medium at 0.4" external static pressure.

Table 6. Electrical Data

TEM3AOC42S41SA, TEM3AOC48S41SA											
Heater Model No.	No. of Circuits/ Phases	240 Volt					208 Volt				
		Capacity		Heater Amps per Circuit	Minimum Circuit Ampacity	Maximum Overload Protection	Capacity		Heater Amps per Circuit	Minimum Circuit Ampacity	Maximum Overload Protection
		kW	BTUH				kW	BTUH			
No Heater				2.6 *	3	15			2.6 *	3	15
BAYHTR1504BRK BAYHTR1504PDC BAYHTR1504LUG	1/1	3.84	13100	16.0	23	25	2.88	9800	13.8	21	25
BAYHTR1505BRK BAYHTR1505PDC BAYHTR1505LUG	1/1	4.8	16400	20.0	28	30	3.6	12300	17.3	25	25
BAYHTR1508BRK BAYHTR1508PDC BAYHTR1508LUG	1/1	7.68	26200	32.0	43	45	5.76	19700	27.7	38	40
BAYHTR1510BRK BAYHTR1510PDC BAYHTR1510LUG	1/1	9.6	32800	40.0	53	60	7.2	24600	34.6	47	50
BAYHTR1515BRK- Circuit 1 ^(a)	2/1	9.6	32800	40.0	53	60	7.2	24600	34.6	47	50
BAYHTR1515BRK- Circuit 2		4.8	16400	20.0	25	25	3.6	12300	17.3	22	25
BAYHTR1520BRK- Circuit 1 ^(a)	2/1	9.6	32800	40.0	53	60	7.2	24600	34.6	47	50
BAYHTR1520BRK- Circuit 2		9.6	32800	40.0	50	50	7.2	24600	34.6	43	45
BAYHTR3510LUG	1/3	9.6	32800	23.1	32	35	7.2	24600	20.0	28	30
BAYHTR3515LUG	1/3	14.4	49200	34.6	46	50	10.8	36900	30.0	40	40
BAYHTR1515BRK with single circuit power source kit BAYSPEKT201A	1/1	14.4	49200	60.0	83	90	10.8	36900	51.9	73	80
BAYHTR1520BRK with single circuit power source kit BAYSPEKT201A	1/1	19.2	65500	80.0	108	110	14.4	49200	69.2	94	100

* = Motor Amps

^(a) MCA and MOP for circuit 1 contains the motor amps.

Table 7. Air Flow Performance

TEM3AOC60S51SA			
EXTERNAL STATIC (in w.g)	AIRFLOW		
	Speed Taps — 208 – 230 VOLTS		
	High	Med †	Low
0.1	1954	1864	1780
0.2	1919	1827	1741
0.3	1885	1791	1704
0.4	1852	1756	1668
0.5	1821	1723	1633
0.6	1790	1691	1599
0.7	1761	1660	1567

1. Values are with wet coil, no filter, and no heaters
2. CFM Correction for dry coil = Add 3%
3. † = Factory Setting
4. Low = Taps 1-3, Med = Tap 4, High = Tap 5
5. BAYTEMDFKT1A must be used for downflow applications and airflow must not exceed 1800 cfm due to condensate blow off.

Table 8. Electrical Data

TEM3AOC60S51SA											
Heater Model No.	No. of Circuits/ Phases	240 Volt					208 Volt				
		Capacity		Heater Amps per Circuit	Minimum Circuit Ampacity	Maximum Overload Protection	Capacity		Heater Amps per Circuit	Minimum Circuit Ampacity	Maximum Overload Protection
		kW	BTUH				kW	BTUH			
No Heater				6.3 *	8	15			6.3 *	8	15
BAYHTR1504BRK BAYHTR1504PDC BAYHTR1504LUG	1/1	3.84	13100	16.0	28	30	2.88	9800	13.8	25	25
BAYHTR1505BRK BAYHTR1505PDC BAYHTR1505LUG	1/1	4.8	16400	20.0	33	35	3.6	12300	17.3	30	30
BAYHTR1508BRK BAYHTR1508PDC BAYHTR1508LUG	1/1	7.68	26200	32.0	48	50	5.76	19700	27.7	42	45
BAYHTR1510BRK BAYHTR1510PDC BAYHTR1510LUG	1/1	9.6	32800	40.0	58	60	7.2	24600	34.6	51	60
BAYHTR1515BRK- Circuit 1 ^(a)	2/1	9.6	32800	40.0	58	60	7.2	24600	34.6	51	60
BAYHTR1515BRK- Circuit 2		4.8	16400	20.0	25	25	3.6	12300	17.3	22	25
BAYHTR1520BRK- Circuit 1 ^(a)	2/1	9.6	32800	40.0	58	60	7.2	24600	34.6	51	60
BAYHTR1520BRK- Circuit 2		9.6	32800	40.0	50	50	7.2	24600	34.6	43	45
BAYHTR3510LUG	1/3	9.6	32800	23.1	36	40	7.2	24600	20.0	32	35
BAYHTR3515LUG	1/3	14.4	49200	34.6	50	50	10.8	36900	30.0	44	45
BAYHTR1515BRK with single circuit power source kit BAYSPEKT201A	1/1	14.4	49200	60.0	83	90	10.8	36900	51.9	73	80
BAYHTR1520BRK with single circuit power source kit BAYSPEKT201A	1/1	19.2	65500	80.0	108	110	14.4	49200	69.2	94	100

* = Motor Amps

^(a) MCA and MOP for circuit 1 contains the motor amps.



TEM3 Air Handler and Heater Matrix Allowable Combinations

TEM3 MINIMUM HEATER AIRFLOW CFM — HEATER MATRIX					
Model No.	BAYHTR1504BRK * BAYHTR1504PDC * BAYHTR1504LUG* BAYHTR1505BRK * BAYHTR1505PDC * BAYHTR1505LUG *	BAYHTR1508BRK * BAYHTR1508PDC * BAYHTR1508LUG * BAYHTR1510BRK * BAYHTR1510PDC * BAYHTR1510LUG * BAYHTR3510LUG *	BAYHTR1515BRK * BAYHTR3515LUG *	BAYHTR1519BRK *	BAYHTR1520BRK *
TEM3A0B18S21S *	L / L	L / L	---	---	---
TEM3A0B24S21S *	L / L	L / L	---	---	---
TEM3A0B30S31S *	L / L	L / L	L / L	L / L	---
TEM3A0B36S31S *	L / L	L / L	L / L	L / L	---
TEM3A0C42S41S *	L / L	L / L	L / L	---	L / L
TEM3A0C48S41S *	L / L	L / L	L / L	---	L / L
TEM3A0C60S51S *(a)	L / L	L / L	L / L	---	L / L
1. Cooling / HP Airflow 2. * = Followed by two digits					

(a) Taps 1-3 = Low, Tap 4 = Med, Tap 5 = High

Electrical Data

Figure 1. TEM3A0B18 – C48

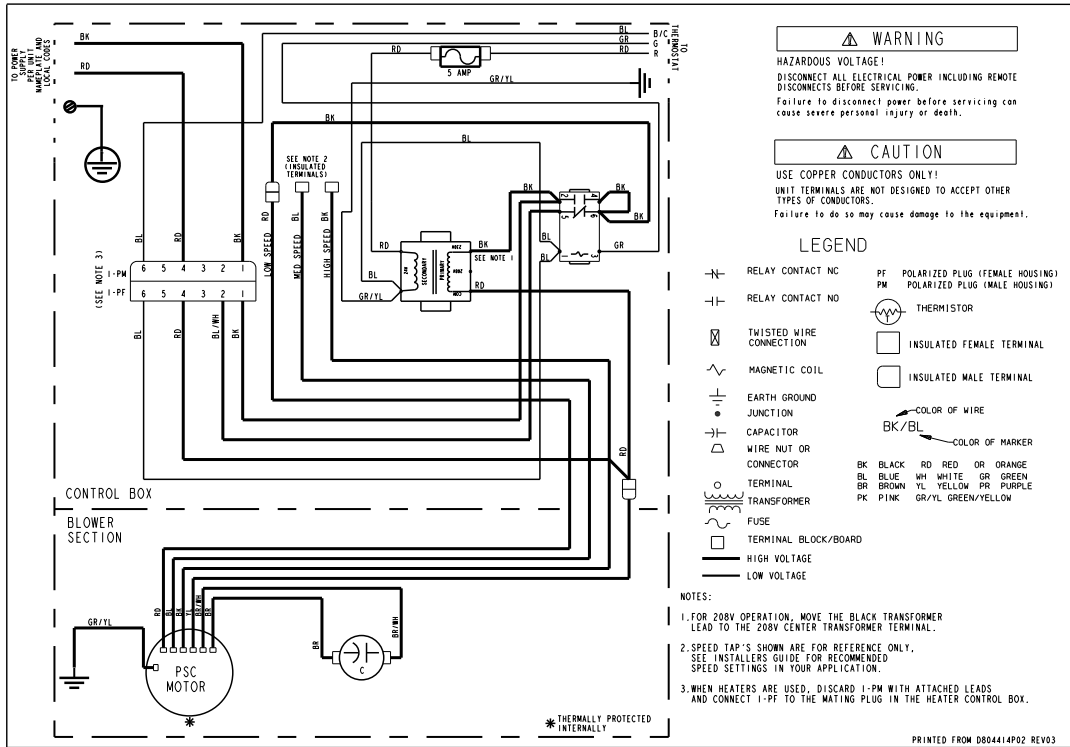
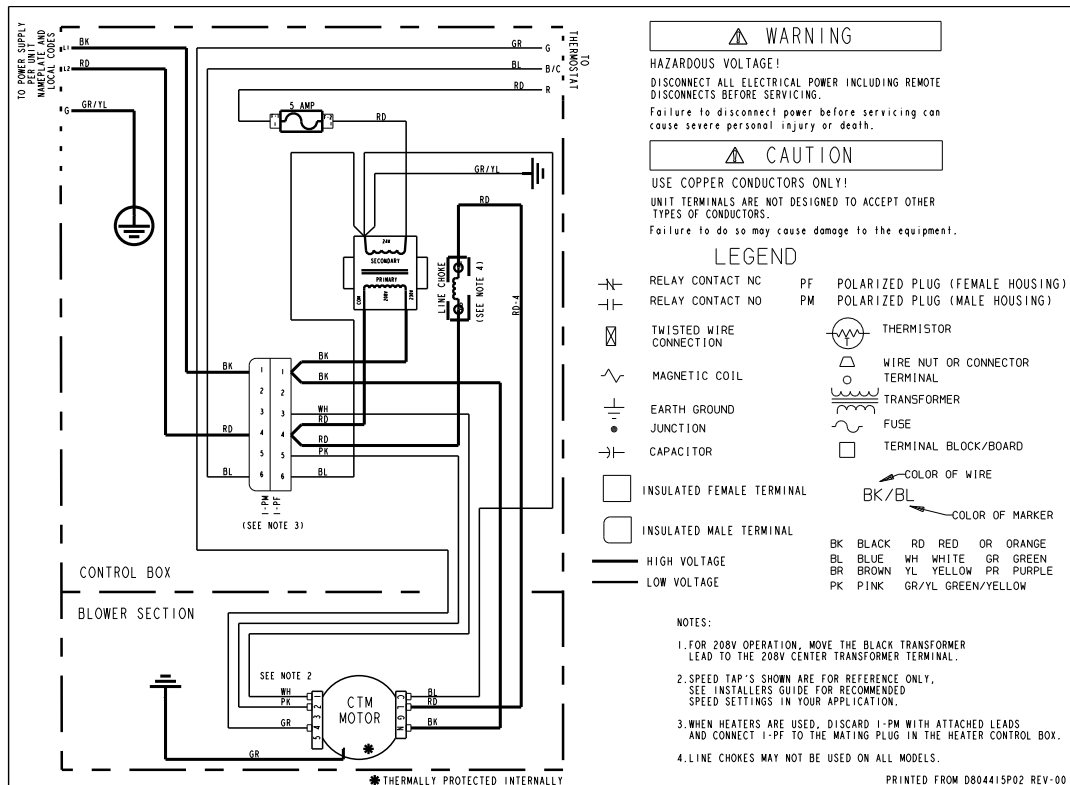
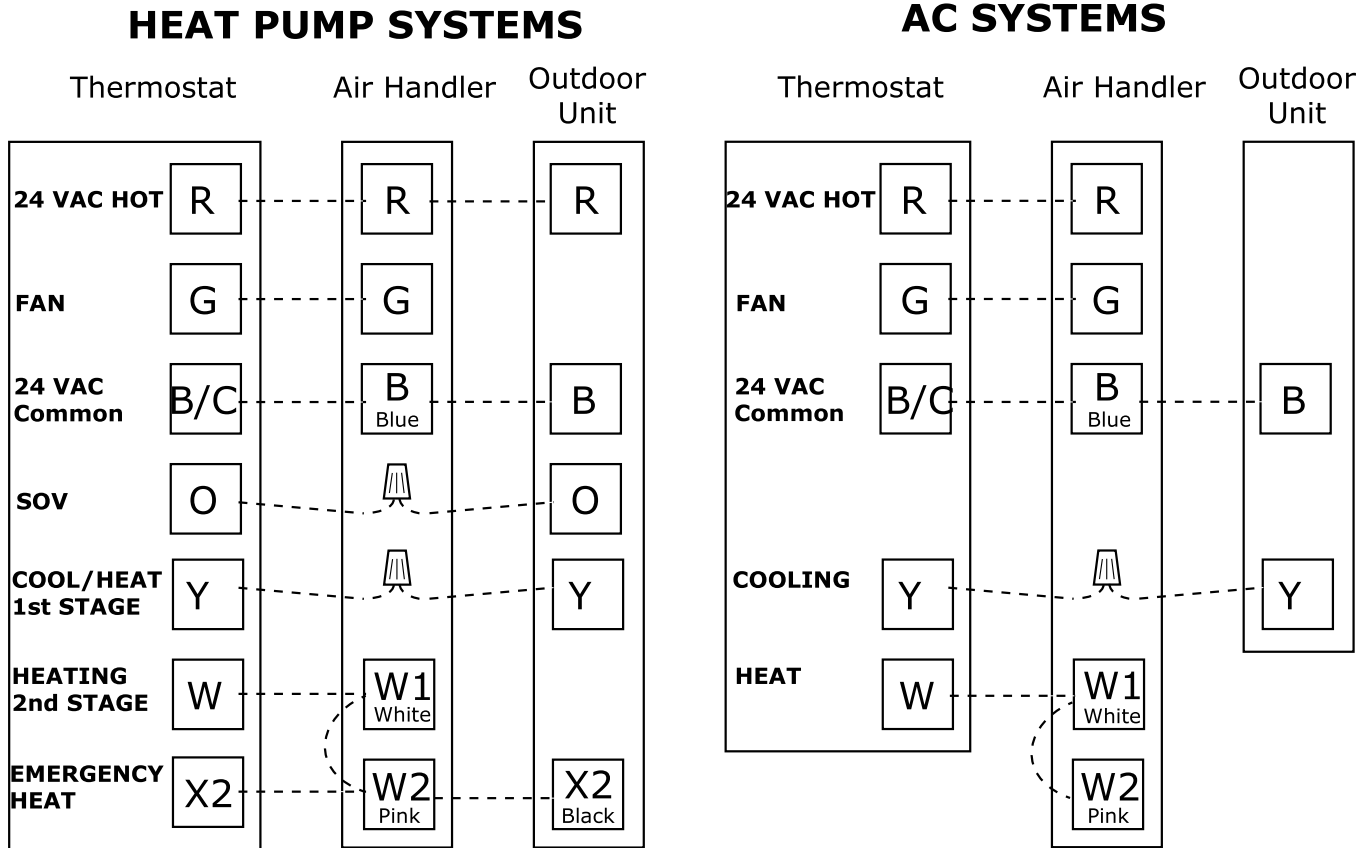


Figure 2. TEM3A0C60



Field Wiring

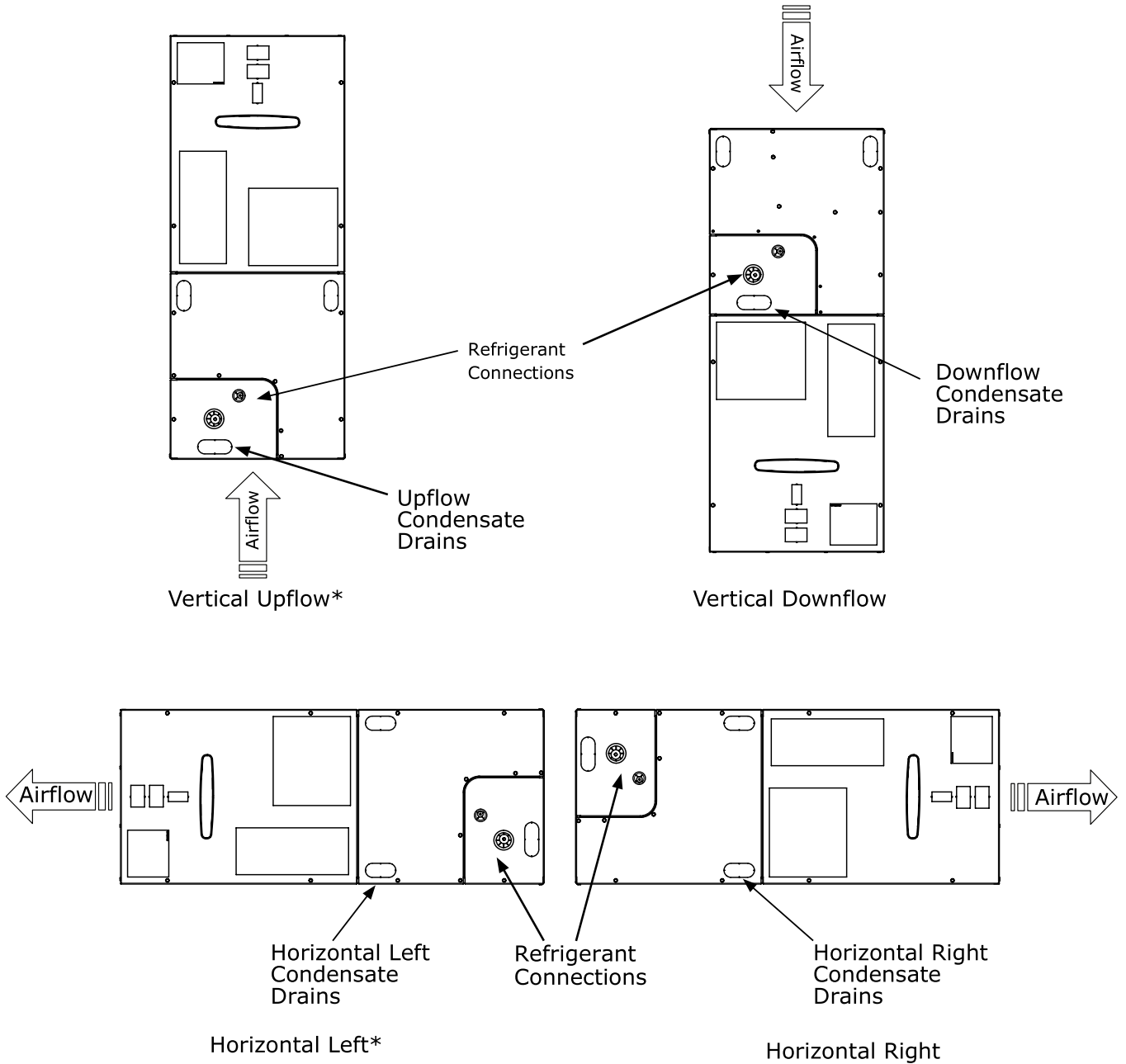
Figure 3. Field Wiring Diagrams



In AC systems for multiple stages of electric heat, jumper W1 and W2 together if comfort control has only one stage of heat.

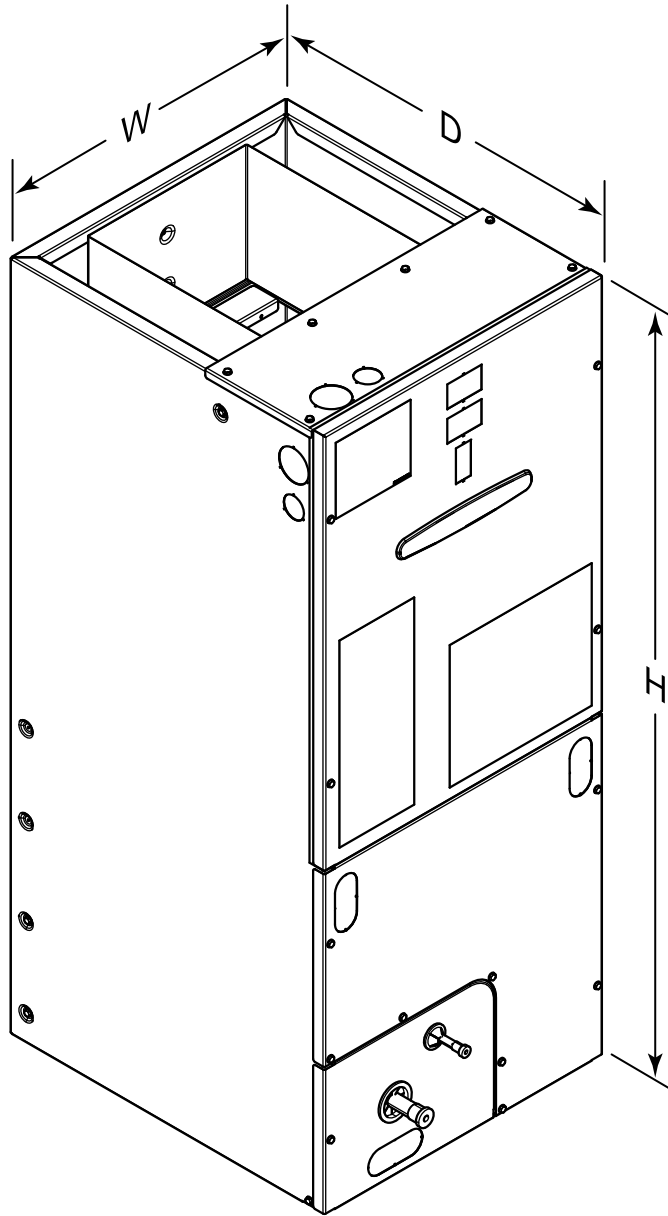
TEM Convertibility

Figure 4. Multi-Position Air Handler
 * = No Internal Modifications Required.





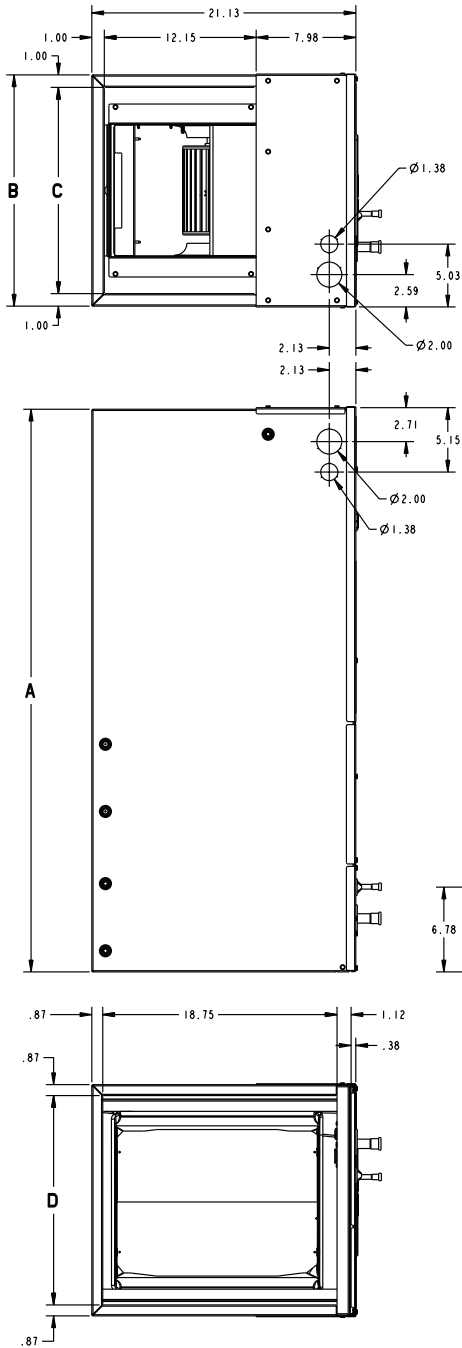
TEM3 Air Handler Dimensional Data



Model No.	H	W	D
TEM3A0B18S21SA	45.02	18.50	21.13
TEM3A0B18S21SA	45.02	18.50	21.13
TEM3A0B30S31SA	45.02	18.50	21.13
TEM3A0B36S31SA	45.02	18.50	21.13
TEM3A0C42S41SA	51.27	23.50	21.13
TEM3A0C48S41SA	51.27	23.50	21.13
TEM3A0C60S51SA	51.27	23.50	21.13

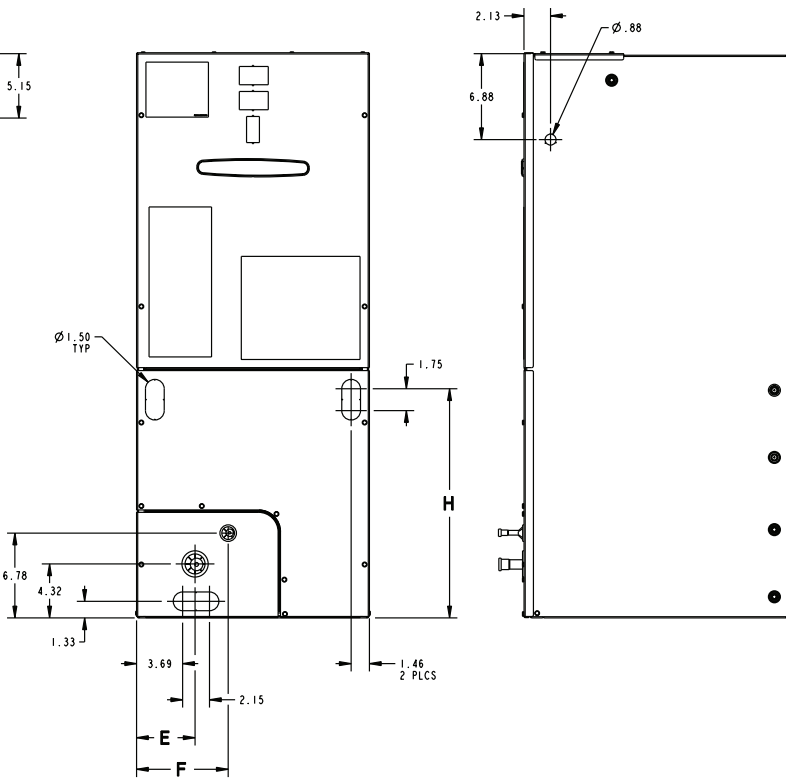


Outline Drawing



MINIMUM UNIT CLEARANCE TABLE		
	TO COMBUSTIBLE MATERIAL (REQUIRED)	SERVICE CLEARANCE (RECOMMENDED)
SIDES	0"	2"
FRONT	0"	21"
BACK	0"	0"
INLET DUCT	0"	1"
OUTLET DUCT	1"+	N/A

* 1" FOR THE FIRST 3 FT. OF OUTLET DUCT WHEN ELECTRIC HEATERS ARE INSTALLED; 0" AFTER THE FIRST 3 FT.



PRODUCT DIMENSIONS									
Air Handler Model	A	B	C	D	E	F	H	Flow Control	Gas Line Braze
TEM3A0B18, 24, 30, 36	45.02	18.50	16.50	16.75	4.68	7.33	18.34	TXV	3/4
TEM3A0C42, 48, 60	51.27	23.50	21.50	21.75	7.01	9.66	24.59	TXV	7/8

All dimensions are in inches



Notes



Trane optimizes the performance of homes and buildings around the world. A business of Ingersoll Rand, the leader in creating and sustaining safe, comfortable and energy efficient environments, Trane offers a broad portfolio of advanced controls and HVAC systems, comprehensive building services, and parts. For more information, visit www.Trane.com.

Trane has a policy of continuous product and product data improvements and reserves the right to change design and specifications without notice.

©2014 Trane
22-1879-1B-EN 06 Aug 2014
Supersedes 22-1879-1A-EN (June 2014)

