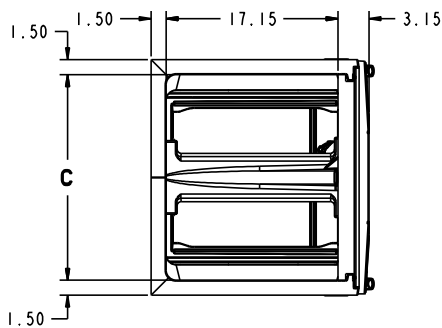
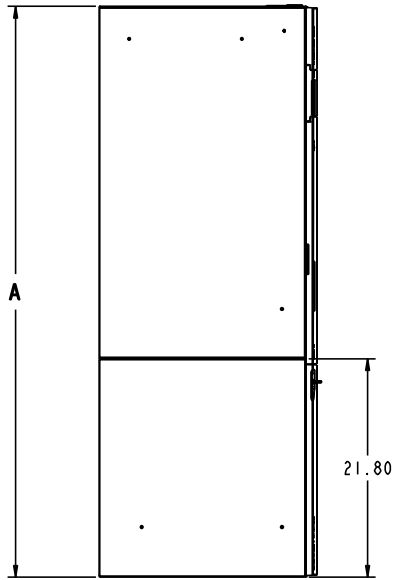
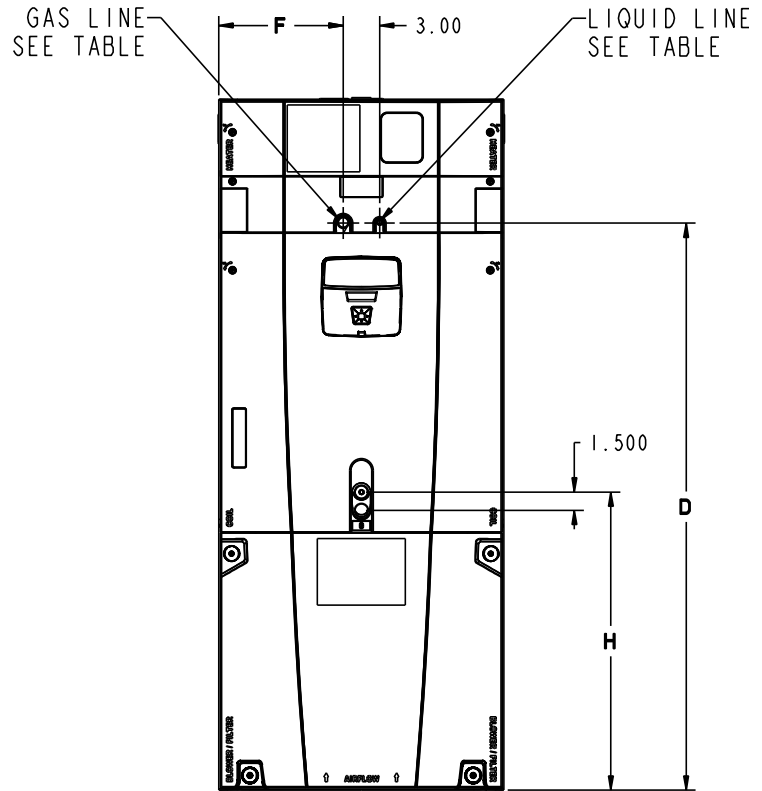
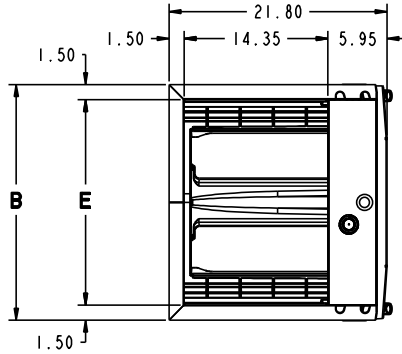




TAG: _____

Submittal

3-1/2 Ton Variable Speed Outdoor Compatible Convertible Air Handler Black Epoxy Coil - TAM8C0C42V31EA Standard Coil - TAM8C0C42V31CB



MINIMUM UNIT CLEARANCE TABLE		
	TO COMBUSTIBLE MATERIAL (REQUIRED)	SERVICE CLEARANCE (RECOMMENDED)
SIDES	0"	2"
FRONT	0"	21"
BACK	0"	0"
INLET DUCT	0"	
OUTLET DUCT	0"	

MODEL NO.	A	B	C	D	E	F	H	FLOW CONTROL	GAS LINE BRAZE	LIQ LINE BRAZE
TAM8C0C42V31	56.9	23.5	20.5	46.7	20.5	10.3	24.5	EEV	7/8	3/8

PRODUCT SPECIFICATIONS

PRODUCT SPECIFICATIONS

MODEL	TAM8C0C42V31CB TAM8C0C42V31EA
RATED VOLTS/PH/HZ.	200-230/1/60
RATINGS ①	See O.D. Specifications
INDOOR COIL — Type	Plate Fin
Rows — F.P.I.	4 - 14
Face Area (sq. ft.)	5.04
Tube Size (in.)	3/8
Refrigerant Control	EEV
Drain Conn. Size (in.) ②	3/4 NPT
DUCT CONNECTIONS	See Outline Drawing
INDOOR FAN — Type	Centrifugal
Diameter-Width (In.)	11 X 10
No. Used	1
Drive - No. Speeds	Direct - Variable
CFM vs. in. w.g.	See Fan Performance Table
No. Motors — H.P.	1 - 1/2
Motor Speed R.P.M.	Variable ECM
Volts/Ph/Hz	208-230/1/60
F.L. Amps	3.0 - 3.9 ③
FILTER	
Filter Furnished?	No
Type Recommended	Throwaway
No.-Size-Thickness	1 - 22 X 20 - 1 in.
REFRIGERANT	R-410A
Ref. Line Connections	Brazed
Coupling or Conn. Size — in. Gas	7/8
Coupling or Conn. Size — in. Liq.	3/8
DIMENSIONS	H x W x D
Crated (In.)	58 x 25.5 x 24.5
Uncrated	56.9 x 23.5 x 21.8
WEIGHT	
Shipping (Lbs.)/Net (Lbs.)	162/150

- ① These Air Handlers are A.H.R.I. certified with various Split System Air Conditioners and Heat Pumps (AHRI STANDARD 210/240). Refer to the Split System Outdoor Unit Product Data Guides for performance data.
- ② 3/4" Male Plastic Pipe (Ref.: ASTM 1785-76)
- ③ Check motor nameplate for actual FLA



Heater Attribute Data											
TAM8C0C42V31CB, TAM8C0C42V31EA											
Heater Model No.	No. of Circuits	240 Volt					208 Volt				
		Capacity		Heater Amps per Circuit	Minimum Circuit Ampacity	Maximum Overload Protection	Capacity		Heater Amps per Circuit	Minimum Circuit Ampacity	Maximum Overload Protection
		kW	BTUH				kW	BTUH			
No Heater	0	-	-	3.9**	4	15	-	-	3.9**	4	15
BAYEVAC04++1	1	3.84	13100	16.0	24	25	2.88	9800	13.8	21	25
BAYEVAC05++1	1	4.80	16400	20.0	29	30	3.60	12300	17.3	25	25
BAYEVAC08++1	1	7.68	26200	32.0	44	45	5.76	19700	27.7	38	40
BAYEVAC10++1	1	9.60	32800	40.0	54	60	7.20	24600	34.6	47	50
BAYEVAC10LG3	1-3 PH	9.60	32800	23.1	32	35	7.20	24600	20.0	28	30
BAYEVBC15LG3	1-3 PH	14.40	42000	34.6	47	50	10.80	36900	30.0	41	45
BAYEVBC15BK1 - Circuit 1 ①	2	9.60	32800	40.0	54	60	7.20	24600	34.6	47	50
BAYEVBC15BK1 - Circuit 2		4.80	16400	20.0	25	25	3.60	12300	17.3	22	25
BAYEVBC20BK1 - Circuit 1 ①	2	9.60	32800	40.0	54	60	7.20	24600	34.6	47	50
BAYEVBC20BK1 - Circuit 2		9.60	32800	40.0	50	50	7.20	24600	34.6	43	45

Note: ** Motor Amps
① MCA and MOP for circuit 1 contains the motor amps

Notes:

1. See Product Data or Air Handler nameplate for approved combinations of Air Handlers and Heaters
2. Heater model numbers may have additional suffix digits.

IMPORTANT: TZONE850/950 communicating thermostats MUST be used for Variable Speed Outdoor units.

TAM8C0C42 AIRFLOW PERFORMANCE													
CONSTANT CFM MODE / CONSTANT TORQUE MODE													
OUTDOOR MULTIPLIER (TONS)	COOLING AIRFLOW SETTING	EXTERNAL STATIC PRESSURE (Constant CFM / Constant Torque)			HEATING AIRFLOW SETTING	Airflow Power	EXTERNAL STATIC PRESSURE						
		0.1	0.3	0.5			0.7	0.9	0.1	0.3	0.5	0.7	0.9
2.5 tons	290 CFM/ton	747 / 905 48 / 77	743 / 764 87 / 94	742 / 591 127 / 102	741 / 342 168 / 106	739 / NA 207 / NA	290 CFM/ton	CFM	744	741	740	738	734
	370 CFM/ton	937 / 1072 80 / 118	942 / 956 129 / 139	946 / 823 179 / 151	947 / 655 227 / 155	944 / 458 273 / 155	350 CFM/ton	Watts	889	892	894	894	890
	400 CFM/ton	1006 / 1136 95 / 138	1014 / 1027 148 / 159	1020 / 903 201 / 173	1022 / 760 253 / 178	1019 / 586 302 / 177	400 CFM/ton	Watts	1006	1016	1018	1019	1016
	450 CFM/ton	1122 / 1247 125 / 176	1135 / 1146 185 / 200	1143 / 1035 245 / 216	1146 / 911 303 / 224	1142 / 768 357 / 223	450 CFM/ton	Watts	1124	1135	1142	1144	1140
	290 CFM/ton	885 / 1026 70 / 106	889 / 904 116 / 125	891 / 763 163 / 136	892 / 590 209 / 139	889 / 341 254 / 143	290 CFM/ton	Watts	884	887	889	889	885
	370 CFM/ton	1108 / 1233 121 / 171	1120 / 1132 181 / 195	1128 / 1019 240 / 210	1131 / 893 297 / 218	1128 / 747 350 / 217	350 CFM/ton	Watts	1053	1062	1067	1069	1066
	400 CFM/ton	1194 / 1316 147 / 204	1208 / 1220 212 / 229	1218 / 1115 276 / 246	1221 / 999 337 / 255	1215 / 868 393 / 256	400 CFM/ton	Watts	1196	1209	1218	1219	1212
3 tons	450 CFM/ton	1343 / 1463 200 / 272	1361 / 1374 275 / 300	1371 / 1279 348 / 320	1368 / 1175 413 / 331	1352 / 1061 469 / 334	450 CFM/ton	Watts	1347	1363	1371	1366	1342
	290 CFM/ton	1020 / 1149 99 / 142	1028 / 1041 152 / 164	1034 / 919 206 / 178	1037 / 779 259 / 183	1034 / 609 308 / 182	290 CFM/ton	Watts	1020	1028	1033	1173	1031
	370 CFM/ton	1287 / 1408 179 / 245	1304 / 1317 250 / 272	1314 / 1218 320 / 291	1315 / 1110 384 / 301	1304 / 981 441 / 303	350 CFM/ton	Watts	1220	1234	1243	1244	1236
	400 † CFM/ton	1395 / 1514 221 / 299	1413 / 1427 300 / 328	1421 / 1334 374 / 348	1415 / 1233 440 / 361	1369 / 1124 480 / 364	400 † CFM/ton	Watts	1440	1416	1421	1411	1355
	450 CFM/ton	1584 / 1687 313 / 405	1593 / 1605 399 / 435	1576 / 1518 467 / 458	1474 / 1425 477 / 472	1350 / 1326 468 / 477	450 CFM/ton	Watts	1589	1592	1545	1434	1315
	290 CFM/ton	1156 / 1302 135 / 197	1169 / 1205 197 / 222	1178 / 1098 259 / 239	1181 / 981 319 / 248	1174 / 848 383 / 249	290 CFM/ton	Watts	1157	1169	1177	1179	1174
	370 CFM/ton	1487 / 1618 288 / 359	1500 / 1534 369 / 389	1496 / 1445 441 / 411	1445 / 1350 481 / 425	1319 / 1248 470 / 429	350 CFM/ton	Watts	1400	1416	1421	1411	1335
4 tons	400 CFM/ton	1616 / 1728 363 / 433	1614 / 1646 443 / 464	1543 / 1543 475 / 475	1423 / 1423 472 / 472	1301 / 1301 463 / 463	400 CFM/ton	Watts	1615	1615	1545	1431	1313
	450 CFM/ton	1711 / 1711 432 / 432	1621 / 1621 456 / 456	1514 / 1514 465 / 465	1393 / 1393 460 / 460	1273 / 1273 453 / 453	450 CFM/ton	Watts	1716	1629	1528	1411	1297
								430	453	462	458	458	452

NOTES:

- † Factory Setting
- Status LED will blink once per 100 CFM requested. In torque mode, actual airflow may be lower.
- Torque mode will reduce airflow when static is above approximately 0.35" water column.
- All heating modes default to Constant CFM.
- Cooling airflow values are with wet coil, no filter

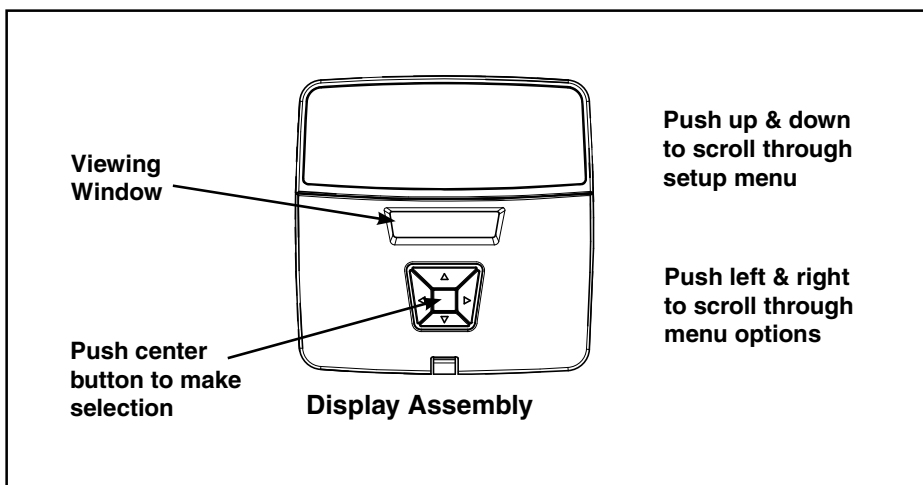
TAM8C0C42 Minimum Heating Airflow Settings

MODEL NO.	MINIMUM HEATER AIRFLOW CFM - HEATER MATRIX			
	BAYEVAC04BK1AA BAYEVAC04LG1AA BAYEVAC08BK1AA BAYEVAC08LG1AA	BAYEVAC10BK1AA BAYEVAC10LG1AA	BAYEVAC10LG3AA	BAYEVAC15LG3AA
TAM8C0C42V31	978/1093	1035/1380	920/1093	1035/1438
		WITHOUT HEAT PUMP / WITH HP		
		SEE AIR HANDLER NAMEPLATE FOR APPROVED COMBINATIONS		
				1150/1610
				1380/1610

NOTE: Minimum auxiliary heating airflow is automatically configured by the air handler model and the auxiliary heater model number. This is not field adjustable.

Mechanical Specifications

- Unique cabinet design
 - 2% or less air leakage
 - Precision applied - durable door seals
 - Specially designed air seal around refrigerant, condensate and conduit connections
 - Double wall foamed cabinet system
 - R-4.2 Insulating Value (Avg Insulating Value R-8.2)
 - No loose fiber design
 - Smooth cleanable interior design
 - Sweat eliminating design
 - Composite foamed cabinet doors
 - Water proof cabinet design
 - Integrated horizontal drain pans
 - Modular cabinet
- Multi-position up/down flow horizontal left/right
- 3 Wire communication
- Display Assembly with enhanced diagnostic information and setup capability
- Side return option (sold as accessory)
- Control board protection pocket built into cabinet wall
- Pre-marked Conduit Connection Locations
- Alert port to view control board codes without door removal
- Alert code notification
- Low voltage terminal connection point
- Phillips head door fasteners
- **Vortica®** blower with polarized plug connections and integrated slide deck for easy removal
- Aluminum coil with integrated slide deck for easy removal and polarized plug connections on coil EEV
- Patented enhanced coil fin
- Electronic Expansion Valve (EEV) with low ambient and low superheat compressor protection
- Dual refrigerant compatible as shipped
- Slide in electric heaters with polarized plug connections (sold as accessory)
- Slide in hot water coils with polarized plug connections (sold as accessory)
- UVC light kit with safety switch and polarized plug connections (sold as accessory)
- Labeled panels and connections
- Molded in 1" standard filter rail
- Variable speed ECM motor
- Soft start fan motor operation
- **Comfort R™** mode
- Built in fan delay modes
- Maximum width of 23.5"
- Compact 20.8" depth with doors removed
- Fused 24v power
- Safety door switch
- **5 year warranty**
- **10-year warranty registered**
- **Optional extended warranty available**



Intertek



Trane
6200 Troup Highway
Tyler, TX 75707

The manufacturer has a policy of continuous product and product data improvement and it reserves the right to change design and specification without notice.