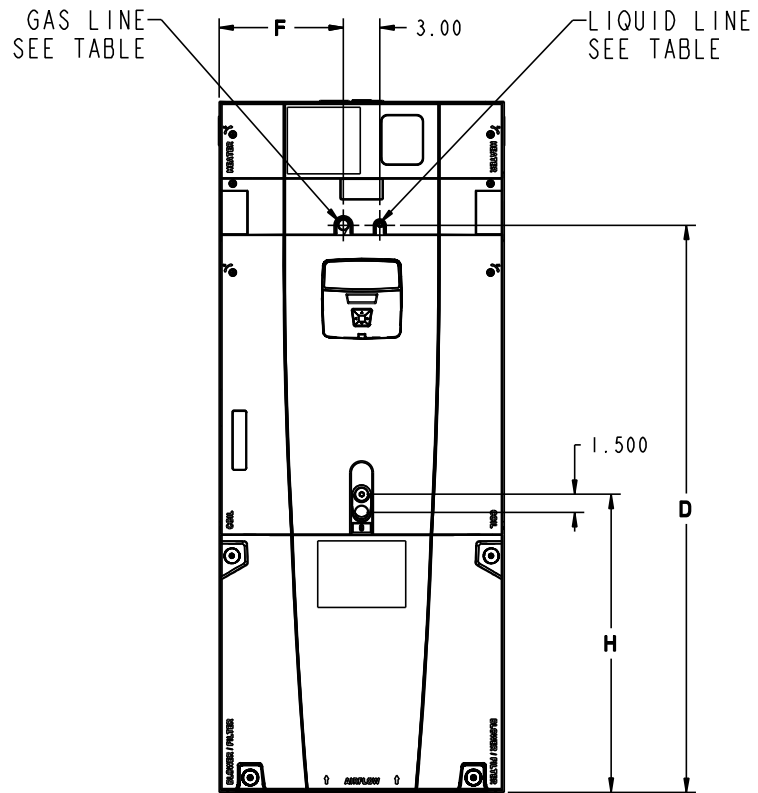
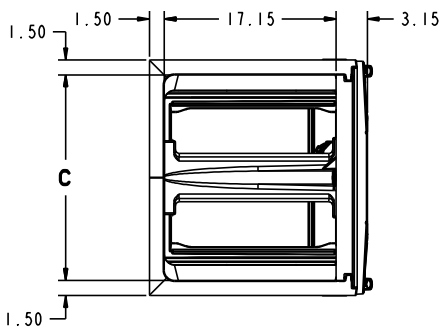
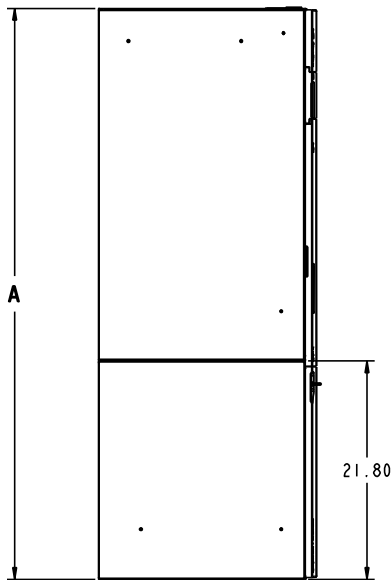
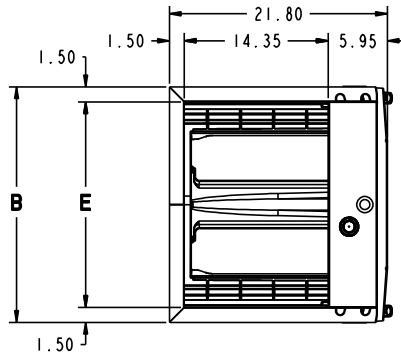




TAG: \_\_\_\_\_

# Submittal

## 3 Ton Variable Speed Outdoor Compatible Convertible Air Handler Black Epoxy Coil - TAM8C0C36V31EA Standard Coil - TAM8C0C36V31CB



MINIMUM UNIT CLEARANCE TABLE		
	TO COMBUSTIBLE MATERIAL (REQUIRED)	SERVICE CLEARANCE (RECOMMENDED)
SIDES	0"	2"
FRONT	0"	21"
BACK	0"	0"
INLET DUCT	0"	
OUTLET DUCT	0"	

MODEL NO.	A	B	C	D	E	F	H	FLOW CONTROL	GAS LINE BRAZE	LIQ LINE BRAZE
TAM8C0C36V31	56.9	23.5	20.5	46.7	20.5	10.3	24.2	EEV	7/8	3/8

## PRODUCT SPECIFICATIONS

PRODUCT SPECIFICATIONS	
<b>MODEL</b>	<b>TAM8C0C36V31CB</b> <b>TAM8C0C36V31EA</b>
<b>RATED VOLTS/PH/HZ.</b>	200-230/1/60
<b>RATINGS</b> ①	See O.D. Specifications
<b>INDOOR COIL — Type</b>	Plate Fin
Rows — F.P.I.	3 - 14
Face Area (sq. ft.)	5.50
Tube Size (in.)	3/8
Refrigerant Control	EEV
Drain Conn. Size (in.) ②	3/4 NPT
<b>DUCT CONNECTIONS</b>	See Outline Drawing
<b>INDOOR FAN — Type</b>	Centrifugal
Diameter-Width (In.)	11 X 10
No. Used	1
Drive - No. Speeds	Direct - Variable
CFM vs. in. w.g.	See Fan Performance Table
No. Motors — H.P.	1 - 1/2
Motor Speed R.P.M.	Variable ECM
Volts/Ph/Hz	208-230/1/60
F.L. Amps	3.0 - 3.9 ③
<b>FILTER</b>	
Filter Furnished?	No
Type Recommended	Throwaway
No.-Size-Thickness	1 - 22 X 20 - 1 in.
<b>REFRIGERANT</b>	<b>R-410A</b>
Ref. Line Connections	Brazed
Coupling or Conn. Size — in. Gas	7/8
Coupling or Conn. Size — in. Liq.	3/8
<b>DIMENSIONS</b>	H x W x D
Crated (In.)	58 x 25.5 x 24.5
Uncrated	56.9 x 23.5 x 21.8
<b>WEIGHT</b>	
Shipping (Lbs.)/Net (Lbs.)	157/146

- ① These Air Handlers are A.H.R.I. certified with various Split System Air Conditioners and Heat Pumps (AHRI STANDARD 210/240). Refer to the Split System Outdoor Unit Product Data Guides for performance data.
- ② 3/4" Male Plastic Pipe (Ref.: ASTM 1785-76)
- ③ Check motor nameplate for actual FLA



Heater Attribute Data											
TAM8C0C36V31CB, TAM8C0C36V31EA											
Heater Model No.	No. of Circuits	240 Volt					208 Volt				
		Capacity		Heater Amps per Circuit	Minimum Circuit Ampacity	Maximum Overload Protection	Capacity		Heater Amps per Circuit	Minimum Circuit Ampacity	Maximum Overload Protection
		kW	BTUH				kW	BTUH			
No Heater	0	-	-	3.0**	4	15	-	-	3.0**	4	15
BAYEVAC04++1	1	3.84	13100	16.0	24	25	2.88	9800	13.8	21	25
BAYEVAC05++1	1	4.80	16400	20.0	29	30	3.60	12300	17.3	25	25
BAYEVAC08++1	1	7.68	26200	32.0	44	45	5.76	19700	27.7	38	40
BAYEVAC10++1	1	9.60	32800	40.0	54	60	7.20	24600	34.6	47	50
BAYEVAC10LG3	1-3 PH	9.60	32800	23.1	32	35	7.20	24600	20.0	28	30
BAYEVBC15LG3	1-3 PH	14.40	42000	34.6	47	50	10.80	36900	30.0	41	45
BAYEVBC15BK1 - Circuit 1 ① BAYEVBC15BK1 - Circuit 2	2	9.60	32800	40.0	54	60	7.20	24600	34.6	47	50
		4.80	16400	20.0	25	25	3.60	12300	17.3	22	25
BAYEVBC20BK1 - Circuit 1 ① BAYEVBC20BK1 - Circuit 2	2	9.60	32800	40.0	54	60	7.20	24600	34.6	47	50
		9.60	32800	40.0	50	50	7.20	24600	34.6	43	45

Note: \*\* Motor Amps  
① MCA and MOP for circuit 1 contains the motor amps

**Notes:**

1. See Product Data or Air Handler nameplate for approved combinations of Air Handlers and Heaters
2. Heater model numbers may have additional suffix digits.

**IMPORTANT: TZONE850/950 communicating thermostats MUST be used for Variable Speed Outdoor units.**

TAM8C0C36 AIRFLOW PERFORMANCE												
OUTDOOR MULTIPLIER (TONS)	CONSTANT CFM MODE / CONSTANT TORQUE MODE											
	EXTERNAL STATIC PRESSURE (Constant CFM / Constant Torque)			HEATING AIRFLOW SETTING			AIRFLOW POWER			EXTERNAL STATIC PRESSURE		
	0.1	0.3	0.5	0.7	0.9	HEATING AIRFLOW SETTING	Airflow Power	0.1	0.3	0.5	0.7	0.9
2 tons	290 CFM/ton	605 / 747 31 / 48	573 / 565 59 / 58	553 / 306 88 / 62	548 / NA 120 / NA	546 / NA 153 / NA	290 CFM/ton	CFM Watts	606 31	574 58	555 87	549 119
	370 CFM/ton	755 / 880 50 / 70	745 / 738 85 / 85	737 / 575 121 / 93	738 / 367 160 / 97	735 / NA 197 / NA	350 CFM/ton	CFM Watts	720 43	705 77	695 111	694 148
	400 CFM/ton	810 / 929 58 / 80	804 / 797 97 / 96	800 / 650 136 / 106	802 / 478 176 / 111	802 / 231 216 / 120	400 CFM/ton	CFM Watts	810 56	805 95	800 134	803 174
	450 CFM/ton	900 / 1011 75 / 98	900 / 893 118 / 117	902 / 764 162 / 129	905 / 624 207 / 136	906 / 462 251 / 140	450 CFM/ton	CFM Watts	900 72	900 115	901 159	906 204
	290 CFM/ton	742 / 891 48 / 72	729 / 752 82 / 87	722 / 592 118 / 96	721 / 394 155 / 99	720 / NA 193 / NA	290 CFM/ton	CFM Watts	742 46	731 81	722 117	722 154
	370 CFM/ton	922 / 1055 80 / 109	923 / 942 124 / 128	927 / 820 170 / 142	930 / 690 215 / 150	931 / 546 260 / 154	350 CFM/ton	CFM Watts	877 68	877 110	876 152	880 196
2.5 tons	400 CFM/ton	989 / 1118 95 / 127	995 / 1012 143 / 148	1002 / 899 193 / 163	1008 / 779 242 / 173	1010 / 652 290 / 177	400 CFM/ton	CFM Watts	989 90	995 139	1000 188	1008 238
	450 CFM/ton	1103 / 1228 125 / 162	1117 / 1131 181 / 185	1129 / 1028 238 / 203	1137 / 921 294 / 215	1137 / 809 346 / 221	450 CFM/ton	CFM Watts	1102 119	1116 175	1127 231	1137 288
	290 CFM/ton	872 / 1009 70 / 97	871 / 890 111 / 116	871 / 761 154 / 128	874 / 620 197 / 135	874 / 457 240 / 139	290 CFM/ton	CFM Watts	871 67	872 109	871 151	874 195
	370 CFM/ton	1089 / 1214 121 / 157	1102 / 1116 176 / 180	1114 / 1013 232 / 198	1121 / 905 287 / 209	1122 / 791 339 / 215	350 CFM/ton	CFM Watts	1033 101	1043 152	1051 204	1059 257
	400 † CFM/ton	1175 / 1298 147 / 188	1193 / 1205 208 / 212	1208 / 1107 270 / 231	1215 / 1006 329 / 244	1211 / 899 382 / 251	400 † CFM/ton	CFM Watts	1171 139	1191 200	1205 262	1215 322
	450 CFM/ton	1329 / 1447 204 / 253	1353 / 1361 276 / 279	1366 / 1270 345 / 299	1363 / 1176 406 / 313	1343 / 1077 456 / 321	450 CFM/ton	CFM Watts	1324 192	1349 264	1364 334	1364 396
3 tons †	290 CFM/ton	1002 / 1131 98 / 130	1009 / 1026 147 / 152	1017 / 914 198 / 167	1023 / 797 248 / 177	1024 / 671 296 / 182	290 CFM/ton	CFM Watts	997 92	1010 143	1016 197	1022 248
	370 CFM/ton	1270 / 1391 181 / 227	1293 / 1302 249 / 252	1308 / 1210 316 / 272	1311 / 1113 377 / 286	1297 / 1012 429 / 293	350 CFM/ton	CFM Watts	1196 146	1217 210	1231 272	1241 334
	400 CFM/ton	1383 / 1499 227 / 278	1407 / 1414 303 / 305	1416 / 1325 372 / 325	1406 / 1233 431 / 340	1380 / 1136 478 / 348	400 CFM/ton	CFM Watts	1379 214	1404 289	1415 360	1330 378
	450 CFM/ton	1579 / 1669 326 / 375	1583 / 1587 402 / 402	1567 / 1502 484 / 423	1474 / 1413 475 / 437	1357 / 1320 468 / 444	450 CFM/ton	CFM Watts	1499 268	1508 342	1586 460	1504 478

NOTES:  
1. † Factory Setting  
2. Status LED will blink once per 100 CFM requested. In torque mode, actual airflow may be lower.  
3. Torque mode will reduce airflow when static is above approximately 0.35" water column.  
4. All heating modes default to Constant CFM.  
5. Cooling airflow values are with wet coil, no filter

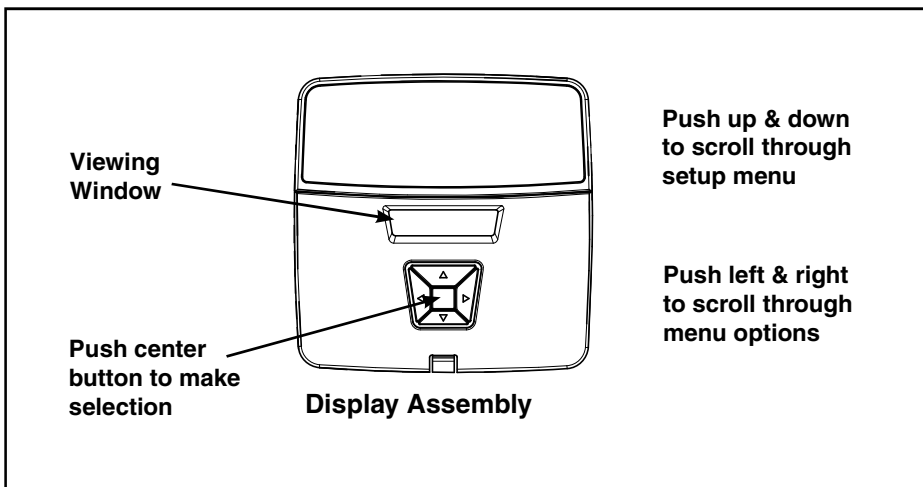
### TAM8C0C36 Minimum Heating Airflow Settings

MINIMUM HEATER AIRFLOW CFM - HEATER MATRIX			
BAYEVAC04BK1AA BAYEVAC04LG1AA BAYEVAC05BK1AA BAYEVAC05LG1AA	BAYEVAC10BK1AA BAYEVAC10LG1AA	BAYEVAC10LG3AA 824/979	BAYEVCB15LG3AA 927/1288
TAM8C0C36V31 876/979	BAYEVAC08BK1AA BAYEVAC08LG1AA	BAYEVAC10LG3AA 824/979	BAYEVCB15BK1AA 1030/1339
WITHOUT HEAT PUMP / WITH HP SEE AIR HANDLER NAMEPLATE FOR APPROVED COMBINATIONS			
			BAYEVC20BK1AA 1236/1442

NOTE: Minimum auxiliary heating airflow is automatically configured by the air handler model and the auxiliary heater model number. This is not field adjustable.

# Mechanical Specifications

- Unique cabinet design
  - 2% or less air leakage
  - Precision applied - durable door seals
  - Specially designed air seal around refrigerant, condensate and conduit connections
  - Double wall foamed cabinet system
  - R-4.2 Insulating Value (Avg Insulating Value R-8.2)
  - No loose fiber design
  - Smooth cleanable interior design
  - Sweat eliminating design
  - Composite foamed cabinet doors
  - Water proof cabinet design
  - Integrated horizontal drain pans
  - Modular cabinet
- Multi-position up/down flow horizontal left/right
- 3 Wire communication
- Display Assembly with enhanced diagnostic information and setup capability
- Side return option (sold as accessory)
- Control board protection pocket built into cabinet wall
- Premarked Conduit Connection Locations
- Alert port to view control board codes without door removal
- Alert code notification
- Low voltage terminal connection point
- Phillips head door fasteners
- **Vortica®** blower with polarized plug connections and integrated slide deck for easy removal
- Aluminum coil with integrated slide deck for easy removal and polarized plug connections on coil EEV
- Patented enhanced coil fin
- Electronic Expansion Valve (EEV) with low ambient and low superheat compressor protection
- Dual refrigerant compatible as shipped
- Slide in electric heaters with polarized plug connections (sold as accessory)
- Slide in hot water coils with polarized plug connections (sold as accessory)
- UVC light kit with safety switch and polarized plug connections (sold as accessory)
- Labeled panels and connections
- Molded in 1" standard filter rail
- Variable speed ECM motor
- Soft start fan motor operation
- **Comfort R™** mode
- Built in fan delay modes
- Maximum width of 23.5"
- Compact 20.8" depth with doors removed
- Fused 24v power
- Safety door switch
- **5 year warranty**
- **10-year warranty registered**
- **Optional extended warranty available**



## Trane

6200 Troup Highway  
Tyler, TX 75707



The manufacturer has a policy of continuous product and product data improvement and it reserves the right to change design and specification without notice.