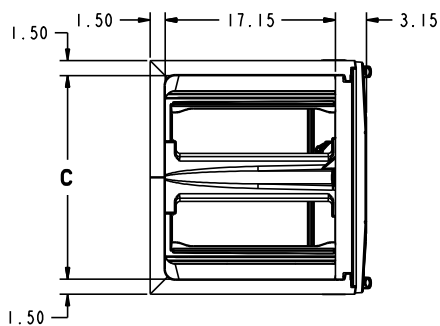
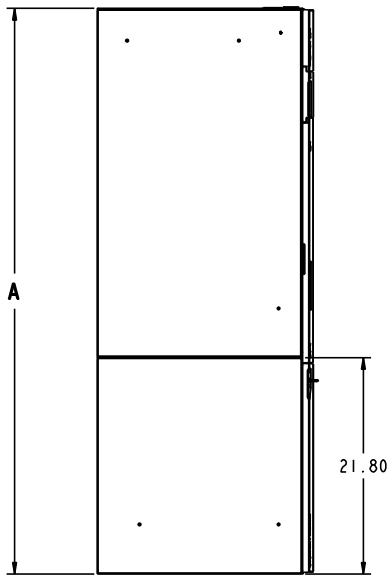
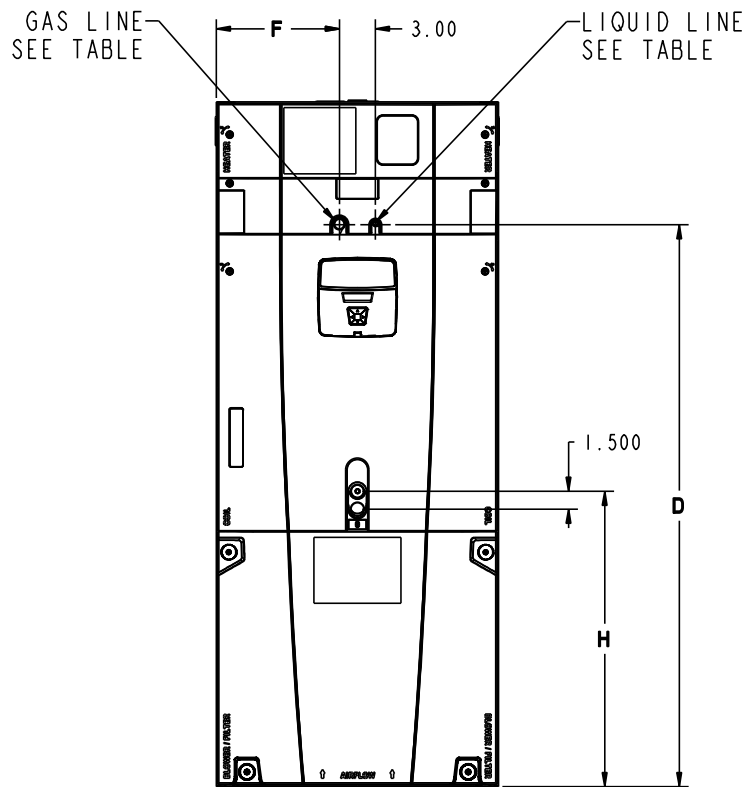
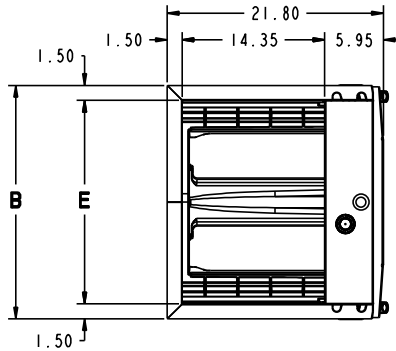




TAG: _____

Submittal

2-1/2 Ton Variable Speed Outdoor Compatible Convertible Air Handler Black Epoxy Coil - TAM8C0B30V21EA Standard Coil - TAM8C0B30V21CB



MINIMUM UNIT CLEARANCE TABLE		
	TO COMBUSTIBLE MATERIAL (REQUIRED)	SERVICE CLEARANCE (RECOMMENDED)
SIDES	0"	2"
FRONT	0"	21"
BACK	0"	0"
INLET DUCT	0"	
OUTLET DUCT	0"	

MODEL NO.	A	B	C	D	E	F	H	FLOW CONTROL	GAS LINE BRAZE	LIQ LINE BRAZE
TAM8C0B30V21	55.7	21.3	18.4	45.5	18.4	9.2	24.8	EEV	3/4	3/8

PRODUCT SPECIFICATIONS

PRODUCT SPECIFICATIONS	
MODEL	TAM8C0B30V21CB TAM8C0B30V21EA
RATED VOLTS/PH/HZ.	200-230/1/60
RATINGS ①	See O.D. Specifications
INDOOR COIL — Type	Plate Fin
Rows — F.P.I.	3 - 14
Face Area (sq. ft.)	5.04
Tube Size (in.)	3/8
Refrigerant Control	EEV
Drain Conn. Size (in.) ②	3/4 NPT
DUCT CONNECTIONS	See Outline Drawing
INDOOR FAN — Type	Centrifugal
Diameter-Width (In.)	11 X 10
No. Used	1
Drive - No. Speeds	Direct - Variable
CFM vs. in. w.g.	See Fan Performance Table
No. Motors — H.P.	1 - 1/2
Motor Speed R.P.M.	Variable ECM
Volts/Ph/Hz	208-230/1/60
F.L. Amps	3.0 - 3.9 ③
FILTER	
Filter Furnished?	No
Type Recommended	Throwaway
No.-Size-Thickness	1 - 20 X 20 - 1 in.
REFRIGERANT	R-410A
Ref. Line Connections	Brazed
Coupling or Conn. Size — in. Gas	3/4
Coupling or Conn. Size — in. Liq.	3/8
DIMENSIONS	H x W x D
Crated (In.)	56.8 x 23.5 x 24.5
Uncrated	55.7 x 21.3 x 21.8
WEIGHT	
Shipping (Lbs.)/Net (Lbs.)	150/138

- ① These Air Handlers are A.H.R.I. certified with various Split System Air Conditioners and Heat Pumps (AHRI STANDARD 210/240).
- ② 3/4" Male Plastic Pipe (Ref.: ASTM 1785-76)
- ③ Check motor nameplate for actual FLA



Heater Attribute Data											
TAM8C0B30V21CB, TAM8C0B30V21EA											
Heater Model No.	No. of Circuits	240 Volt					208 Volt				
		Capacity		Heater Amps per Circuit	Minimum Circuit Ampacity	Maximum Overload Protection	Capacity		Heater Amps per Circuit	Minimum Circuit Ampacity	Maximum Overload Protection
		kW	BTUH				kW	BTUH			
No Heater	0	-	-	3.0**	4	15	-	-	3.0**	4	15
BAYEVAC04++1	1	3.84	13100	16.0	24	25	2.88	9800	13.8	21	25
BAYEVAC05++1	1	4.80	16400	20.0	29	30	3.60	12300	17.3	25	25
BAYEVAC08++1	1	7.68	26200	32.0	44	45	5.76	19700	27.7	38	40
BAYEVAC10++1	1	9.60	32800	40.0	54	60	7.20	24600	34.6	47	50
BAYEVAC10LG3	1-3 PH	9.60	32800	23.1	32	35	7.20	24600	20.0	28	30
BAYEVBC15LG3	1-3 PH	14.40	42000	34.6	47	50	10.80	36900	30.0	41	45
BAYEVBC15BK1 - Circuit 1 ①	2	9.60	32800	40.0	54	60	7.20	24600	34.6	47	50
BAYEVBC15BK1 - Circuit 2		4.80	16400	20.0	25	25	3.60	12300	17.3	22	25

Note: ** Motor Amps
 ① MCA and MOP for circuit 1 contains the motor amps

Notes:

- 1. See Product Data or Air Handler nameplate for approved combinations of Air Handlers and Heaters
- 2. Heater model numbers may have additional suffix digits.

IMPORTANT: TZONE850/950 communicating thermostats MUST be used for Variable Speed Outdoor units.

**TAM8C0B30 AIRFLOW PERFORMANCE
CONSTANT CFM MODE / CONSTANT TORQUE MODE**

OUTDOOR MULTIPLIER (TONS)	COOLING AIRFLOW SETTING	Airflow Power	EXTERNAL STATIC PRESSURE (Constant CFM / Constant Torque)					HEATING AIRFLOW SETTING	Airflow Power	EXTERNAL STATIC PRESSURE				
			0.1	0.3	0.5	0.7	0.9			0.1	0.3	0.5	0.7	0.9
1.5 tons	290 CFM/ton	CFM Watts	492 / 581 22 / 30	442 / 397 45 / 41	408 / NA 71 / NA	353 / NA 98 / NA	221 / NA 129 / NA	290 CFM/ton	CFM Watts	485 21	437 44	393 69	349 97	300 130
	350 CFM/ton	CFM Watts	576 / 664 30 / 40	553 / 515 58 / 54	527 / NA 87 / NA	493 / NA 117 / NA	472 / NA 150 / NA	350 CFM/ton	CFM Watts	574 29	545 56	517 85	489 115	457 146
	400 CFM/ton	CFM Watts	644 / 730 38 / 49	633 / 598 70 / 65	612 / 403 102 / 72	590 / NA 134 / NA	563 / NA 167 / NA	400 CFM/ton	CFM Watts	643 37	624 67	605 99	583 132	559 165
	450 CFM/ton	CFM Watts	711 / 794 47 / 60	708 / 673 83 / 77	691 / 510 118 / 86	678 / NA 154 / NA	656 / NA 189 / NA	450 CFM/ton	CFM Watts	709 45	698 80	684 115	669 151	649 186
	290 CFM/ton	CFM Watts	627 / 713 36 / 47	611 / 576 66 / 62	589 / 369 98 / 68	568 / NA 130 / NA	542 / NA 163 / NA	290 CFM/ton	CFM Watts	625 35	603 64	582 95	559 127	533 160
2 tons †	350 CFM/ton	CFM Watts	734 / 815 51 / 64	730 / 698 87 / 82	717 / 541 124 / 91	705 / NA 161 / NA	684 / NA 197 / NA	350 CFM/ton	CFM Watts	731 49	722 84	710 120	696 157	677 193
	400 † CFM/ton	CFM Watts	822 / 898 66 / 81	824 / 792 107 / 101	817 / 657 149 / 112	811 / NA 191 / NA	797 / NA 231 / NA	400 † CFM/ton	CFM Watts	817 63	815 103	811 145	801 186	788 226
	450 CFM/ton	CFM Watts	910 / 982 85 / 102	916 / 884 131 / 123	916 / 763 178 / 136	914 / 610 226 / 140	904 / NA 270 / NA	450 CFM/ton	CFM Watts	902 80	907 126	908 172	904 219	895 263
	290 CFM/ton	CFM Watts	755 / 860 54 / 73	753 / 749 92 / 91	742 / 606 130 / 102	732 / 397 168 / 104	712 / NA 205 / NA	290 CFM/ton	CFM Watts	753 52	746 88	735 126	723 164	706 201
	350 CFM/ton	CFM Watts	887 / 985 80 / 102	893 / 887 125 / 124	891 / 767 170 / 137	888 / 614 217 / 141	876 / NA 260 / NA	350 CFM/ton	CFM Watts	881 75	884 120	884 165	879 210	868 253
2.5 tons	400 CFM/ton	CFM Watts	998 / 1094 107 / 134	1010 / 1003 160 / 158	1017 / 895 213 / 173	1018 / 765 266 / 179	1008 / NA 315 / NA	400 CFM/ton	CFM Watts	989 100	1001 152	1008 205	1008 257	1000 306
	450 CFM/ton	CFM Watts	1116 / 1212 143 / 176	1135 / 1126 205 / 201	1147 / 1027 267 / 219	1148 / 911 325 / 227	1134 / NA 376 / NA	450 CFM/ton	CFM Watts	1104 133	1124 194	1136 255	1139 314	1128 366
	290 CFM/ton	CFM Watts	883 / 981 79 / 101	888 / 882 124 / 122	887 / 762 169 / 136	881 / 608 214 / 140	870 / NA 257 / NA	290 CFM/ton	CFM Watts	877 74	880 118	879 164	874 208	863 252
	350 CFM/ton	CFM Watts	1043 / 1140 120 / 150	1059 / 1051 177 / 174	1068 / 947 233 / 190	1069 / 823 288 / 197	1059 / NA 339 / NA	350 CFM/ton	CFM Watts	1034 112	1049 168	1058 224	1061 279	1053 330
	400 CFM/ton	CFM Watts	1190 / 1304 170 / 203	1214 / 1221 238 / 231	1226 / 1126 304 / 251	1223 / 1016 364 / 261	1201 / 886 414 / 261	400 CFM/ton	CFM Watts	1177 157	1201 224	1215 291	1215 352	1198 403
3 tons	450 CFM/ton	CFM Watts	1355 / 1471 241 / 282	1376 / 1391 318 / 311	1375 / 1302 386 / 333	1353 / 1201 441 / 345	1296 / 1086 472 / 347	450 CFM/ton	CFM Watts	1338 221	1363 299	1368 369	1350 427	1314 472

NOTES:

- † Factory Setting
- Status LED will blink once per 100 CFM requested. In torque mode, actual airflow may be lower.
- Torque mode will reduce airflow when static is above approximately 0.35" water column.
- All heating modes default to Constant CFM.
- Cooling airflow values are with wet coil, no filter

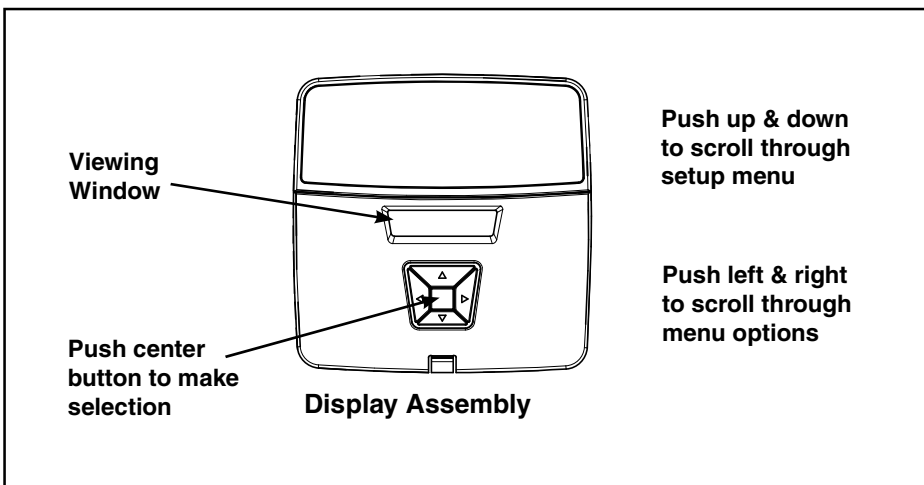
TAM8C0B30 Minimum Heating Airflow Settings

MINIMUM HEATER AIRFLOW CFM - HEATER MATRIX			
BAYEVAC04BK1AA	BAYEVAC10BK1AA	BAYEVCB15LG3AA	BAYEVC20BK1AA
BAYEVAC04LG1AA	BAYEVAC10LG1AA	BAYEVCB15LG3AA	BAYEVC20BK1AA
BAYEVAC08BK1AA	BAYEVAC10LG3AA	BAYEVCB15LG3AA	BAYEVC20BK1AA
BAYEVAC08LG1AA	765/1020	680/808	850/1105
TAM8C0B30V21	723/1020	WITHOUT HEAT PUMP / WITH HP	--
SEE AIR HANDLER NAMEPLATE FOR APPROVED COMBINATIONS			

NOTE: Minimum auxiliary heating airflow is automatically configured by the air handler model and the auxiliary heater model number. This is not field adjustable.

Mechanical Specifications

- Unique cabinet design
 - 2% or less air leakage
 - Precision applied - durable door seals
 - Specially designed air seal around refrigerant, condensate and conduit connections
 - Double wall foamed cabinet system
 - R-4.2 Insulating Value (Avg Insulating Value R-8.2)
 - No loose fiber design
 - Smooth cleanable interior design
 - Sweat eliminating design
 - Composite foamed cabinet doors
 - Water proof cabinet design
 - Integrated horizontal drain pans
 - Modular cabinet
- Multi-position up/down flow horizontal left/right
- 3 Wire communication
- Display Assembly with enhanced diagnostic information and setup capability
- Side return option (sold as accessory)
- Control board protection pocket built into cabinet wall
- Premarked Conduit Connection Locations
- Alert port to view control board codes without door removal
- Alert code notification
- Low voltage terminal connection point
- Phillips head door fasteners
- **Vortica®** blower with polarized plug connections and integrated slide deck for easy removal
- Aluminum coil with integrated slide deck for easy removal and polarized plug connections on coil EEV
- Patented enhanced coil fin
- Electronic Expansion Valve (EEV) with low ambient and low superheat compressor protection
- Dual refrigerant compatible as shipped
- Slide in electric heaters with polarized plug connections (sold as accessory)
- Slide in hot water coils with polarized plug connections (sold as accessory)
- UVC light kit with safety switch and polarized plug connections (sold as accessory)
- Labeled panels and connections
- Molded in 1" standard filter rail
- Variable speed ECM motor
- Soft start fan motor operation
- **Comfort R™** mode
- Built in fan delay modes
- Maximum width of 23.5"
- Compact 20.8" depth with doors removed
- Fused 24v power
- Safety door switch
- **5 year warranty**
- **10-year warranty registered**
- **Optional extended warranty available**



Trane
6200 Troup Highway
Tyler, TX 75707

The manufacturer has a policy of continuous product and product data improvement and it reserves the right to change design and specification without notice.