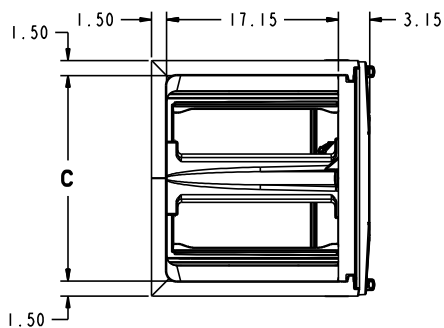
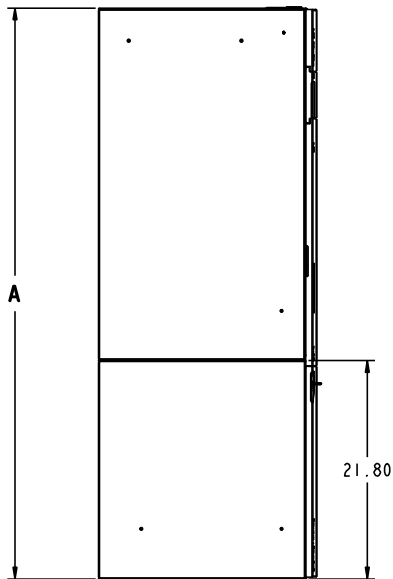
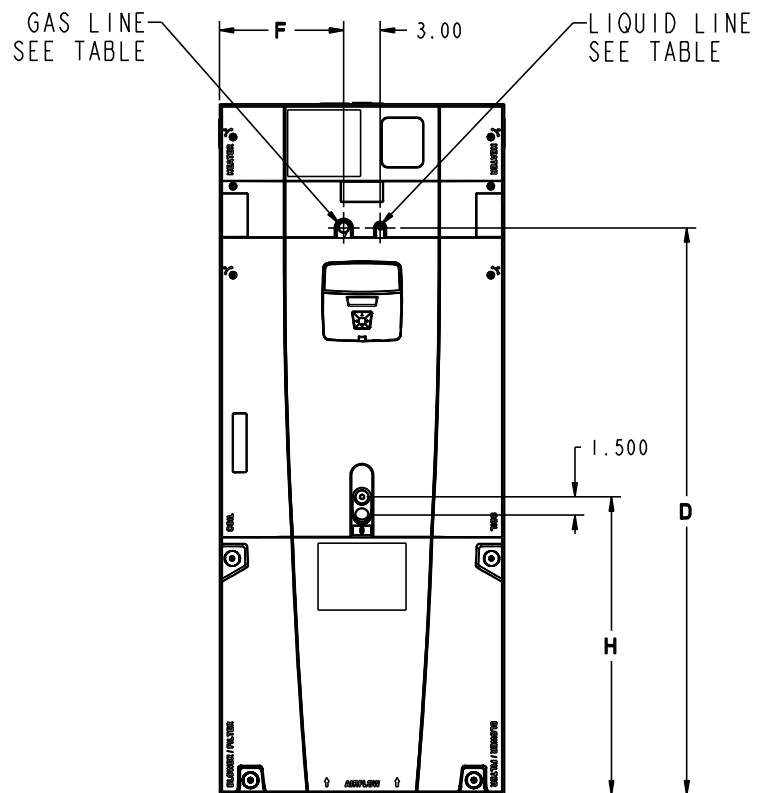
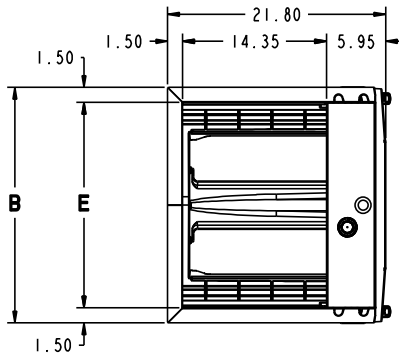




TAG: _____

Submittal

2 Ton Variable Speed Outdoor Compatible Convertible Air Handler Black Epoxy Coil - TAM8C0A24V21EA Standard Coil - TAM8C0A24V21CB



	TO COMBUSTIBLE MATERIAL (REQUIRED)	SERVICE CLEARANCE (RECOMMENDED)
SIDES	0"	2"
FRONT	0"	21"
BACK	0"	0"
INLET DUCT	0"	
OUTLET DUCT	0"	

MODEL NO.	A	B	C	D	E	F	H	FLOW CONTROL	GAS LINE BRAZE	LIQ LINE BRAZE
TAM8C0A24V21	49.9	17.5	14.5	39.6	14.5	7.3	24.4	EEV	3/4	3/8

PRODUCT SPECIFICATIONS

PRODUCT SPECIFICATIONS	
MODEL	TAM8C0A24V21CB TAM8C0A24V21EA
RATED VOLTS/PH/HZ.	200-230/1/60
RATINGS ①	See O.D. Specifications
INDOOR COIL — Type	Plate Fin
Rows — F.P.I.	3 - 14
Face Area (sq. ft.)	3.67
Tube Size (in.)	3/8
Refrigerant Control	EEV
Drain Conn. Size (in.) ②	3/4 NPT
DUCT CONNECTIONS	See Outline Drawing
INDOOR FAN — Type	Centrifugal
Diameter-Width (In.)	11 X 8
No. Used	1
Drive - No. Speeds	Direct - Variable
CFM vs. in. w.g.	See Fan Performance Table
No. Motors — H.P.	1 - 1/2
Motor Speed R.P.M.	Variable ECM
Volts/Ph/Hz	208-230/1/60
F.L. Amps	3.0 - 3.9 ③
FILTER	
Filter Furnished?	No
Type Recommended	Throwaway
No.-Size-Thickness	1 - 16 X 20 - 1 in.
REFRIGERANT	R-410A
Ref. Line Connections	Brazed
Coupling or Conn. Size — in. Gas	3/4
Coupling or Conn. Size — in. Liq.	3/8
DIMENSIONS	H x W x D
Crated (In.)	51 x 20 x 24.5
Uncrated	49.9 x 17.5 x 21.8
WEIGHT	
Shipping (Lbs.)/Net (Lbs.)	126/116

- ① These Air Handlers are A.H.R.I. certified with various Split System Air Conditioners and Heat Pumps (AHRI STANDARD 210/240).
- ② 3/4" Male Plastic Pipe (Ref.: ASTM 1785-76)
- ③ Check motor nameplate for actual FLA



Heater Attribute Data											
TAM8C0A24V21CB, TAM8C0A24V21EA											
Heater Model No.	No. of Circuits	240 Volt					208 Volt				
		Capacity		Heater Amps per Circuit	Minimum Circuit Ampacity	Maximum Overload Protection	Capacity		Heater Amps per Circuit	Minimum Circuit Ampacity	Maximum Overload Protection
		kW	BTUH				kW	BTUH			
No Heater	0	-	-	3.9**	4	15	-	-	3.9**	4	15
BAYEVAC04++1	1	3.84	13100	16.0	24	25	2.88	9800	13.8	21	25
BAYEVAC05++1	1	4.80	16400	20.0	29	30	3.60	12300	17.3	25	25
BAYEVAC08++1	1	7.68	26200	32.0	44	45	5.76	19700	27.7	38	40
BAYEVAC10++1 ①	1	9.60	32800	40.0	54	60	7.20	24600	34.6	47	50
BAYEVAC10LG3	1-3 PH	9.60	32800	23.1	32	35	7.20	24600	20.0	28	30

Note: ** Motor Amps
 ① Heater not qualified for 208V when installed in horizontal left position without Heat Pump

Notes:

- 1. See Product Data or Air Handler nameplate for approved combinations of Air Handlers and Heaters
- 2. Heater model numbers may have additional suffix digits.

IMPORTANT: TZONE850/950 communicating thermostats MUST be used for Variable Speed Outdoor units.

**TAM8C0A24 AIRFLOW PERFORMANCE
CONSTANT CFM MODE / CONSTANT TORQUE MODE**

OUTDOOR MULTIPLIER (TONS)	COOLING AIRFLOW SETTING	Airflow Power	EXTERNAL STATIC PRESSURE (Constant CFM / Constant Torque)					HEATING AIRFLOW SETTING	Airflow Power	EXTERNAL STATIC PRESSURE				
			CFM/ton							CFM/ton				
			0.1	0.3	0.5	0.7	0.9			0.1	0.3	0.5	0.7	0.9
1.5 tons	290 CFM/ton	CFM Watts	407 / 546 22 / 40	430 / 403 51 / 48	398 / NA 77 / NA	347 / NA 103 / NA	255 / NA 133 / NA	290 CFM/ton	CFM Watts	416 22	426 49	401 76	330 101	291 134
	350 CFM/ton	CFM Watts	534 / 630 39 / 57	549 / 531 71 / 68	542 / 360 103 / 73	509 / NA 132 / NA	445 / NA 156 / NA	350 CFM/ton	CFM Watts	532 37	550 69	542 101	507 129	434 152
	400 CFM/ton	CFM Watts	617 / 697 54 / 72	633 / 617 90 / 86	632 / 501 125 / 96	604 / NA 156 / NA	556 / NA 183 / NA	400 CFM/ton	CFM Watts	660 62	680 99	679 136	658 169	614 197
	450 CFM/ton	CFM Watts	691 / 762 72 / 91	710 / 693 111 / 106	707 / 602 148 / 119	688 / 478 183 / 127	649 / NA 212 / NA	450 CFM/ton	CFM Watts	690 69	710 108	709 145	690 180	651 208
	290 CFM/ton	CFM Watts	593 / 680 49 / 68	613 / 595 85 / 81	607 / 470 119 / 90	583 / 208 150 / 94	527 / 132 175 / 138	290 CFM/ton	CFM Watts	593 48	613 82	608 116	582 147	527 172
2 tons †	350 CFM/ton	CFM Watts	717 / 783 79 / 98	733 / 717 118 / 114	733 / 632 157 / 127	714 / 519 192 / 136	678 / 355 222 / 143	350 CFM/ton	CFM Watts	714 75	734 115	734 153	716 189	679 218
	400 † CFM/ton	CFM Watts	810 / 868 108 / 128	827 / 811 152 / 146	827 / 740 194 / 161	813 / 652 233 / 173	782 / 543 265 / 182	400 † CFM/ton	CFM Watts	862 122	881 168	884 213	874 254	849 290
	450 CFM/ton	CFM Watts	903 / 954 144 / 165	918 / 902 192 / 184	920 / 839 238 / 201	909 / 764 280 / 215	884 / 674 316 / 224	450 CFM/ton	CFM Watts	899 136	917 184	921 231	912 273	889 310
	290 CFM/ton	CFM Watts	741 / 820 86 / 110	757 / 759 126 / 127	757 / 681 166 / 141	739 / 582 202 / 152	705 / 452 232 / 159	290 CFM/ton	CFM Watts	738 81	757 122	758 162	742 198	707 229
	350 CFM/ton	CFM Watts	880 / 947 134 / 162	896 / 895 182 / 181	896 / 832 226 / 198	885 / 757 267 / 211	859 / 665 302 / 220	350 CFM/ton	CFM Watts	876 127	895 174	898 220	888 261	864 297
2.5 tons	400 CFM/ton	CFM Watts	996 / 1059 188 / 220	1011 / 1011 241 / 240	1014 / 954 291 / 257	1006 / 887 336 / 271	985 / 807 375 / 280	400 CFM/ton	CFM Watts	1064 215	1083 272	1089 326	1084 375	1066 418
	450 CFM/ton	CFM Watts	1120 / 1180 260 / 297	1135 / 1134 319 / 317	1137 / 1081 373 / 334	1129 / 1019 422 / 347	1108 / 946 463 / 355	450 CFM/ton	CFM Watts	1115 244	1133 304	1139 360	1133 410	1116 453
	290 CFM/ton	CFM Watts	875 / 943 132 / 160	891 / 891 179 / 179	892 / 828 224 / 196	880 / 751 265 / 209	854 / 659 300 / 218	290 CFM/ton	CFM Watts	871 125	890 172	894 217	883 259	859 295
	350 CFM/ton	CFM Watts	1045 / 1106 215 / 248	1060 / 1059 270 / 268	1063 / 1004 321 / 285	1055 / 939 369 / 299	1035 / 862 409 / 308	350 CFM/ton	CFM Watts	1040 202	1058 257	1064 310	1059 359	1041 401
	400 CFM/ton	CFM Watts	1200 / 1257 315 / 354	1212 / 1211 376 / 374	1212 / 1159 432 / 390	1200 / 1099 480 / 402	1129 / 1030 481 / 409	400 CFM/ton	CFM Watts	1291 368	1302 432	1300 487	1220 478	1138 470
3 tons	450 CFM/ton	CFM Watts	1358 / 1403 447 / 484	1333 / 1359 482 / 502	1256 / 1308 472 / 517	1177 / 1251 466 / 527	1095 / 1187 460 / 531	450 CFM/ton	CFM Watts	1355 422	1360 483	1286 476	1208 468	1128 462

NOTES:
 1. † Factory Setting
 2. Status LED will blink once per 100 CFM requested. In torque mode, actual airflow may be lower.
 3. Torque mode will reduce airflow when static is above approximately 0.3" water column.
 4. All heating modes default to Constant CFM.
 5. Cooling airflow values are with wet coil, no filter

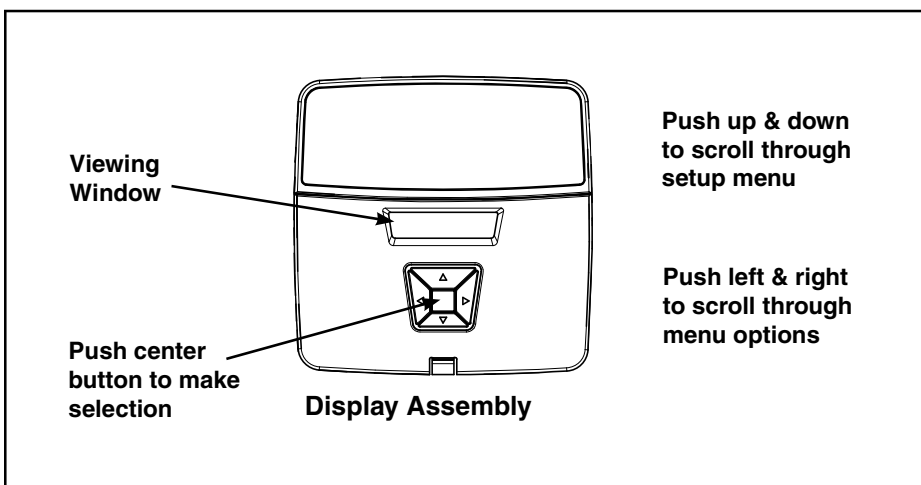
TAM8C0A24 Minimum Heating Airflow Settings

MODEL NO.	MINIMUM HEATER AIRFLOW CFM - HEATER MATRIX			
	BAYEVAC04BK1AA BAYEVAC04LG1AA BAYEVAC05BK1AA BAYEVAC05LG1AA	BAYEVAC10BK1AA BAYEVAC10LG1AA	BAYEVAC10LG3AA	BAYEVCB15LG3AA
TAM8C0A24V1	638/713	675/890	600/713	--
WITHOUT HEAT PUMP / WITH HP SEE AIR HANDLER NAMEPLATE FOR APPROVED COMBINATIONS © Heater not qualified for 208V when installed in horizontal left position without Heat Pump				

NOTE: Minimum auxiliary heating airflow is automatically configured by the air handler model and the auxiliary heater model number. This is not field adjustable.

Mechanical Specifications

- Unique cabinet design
 - 2% or less air leakage
 - Precision applied - durable door seals
 - Specially designed air seal around refrigerant, condensate and conduit connections
 - Double wall foamed cabinet system
 - R-4.2 Insulating Value (Avg Insulating Value R-8.2)
 - No loose fiber design
 - Smooth cleanable interior design
 - Sweat eliminating design
 - Composite foamed cabinet doors
 - Water proof cabinet design
 - Integrated horizontal drain pans
 - Modular cabinet
- Multi-position up/down flow horizontal left/right
- 3 Wire communication
- Display Assembly with enhanced diagnostic information and setup capability
- Side return option (sold as accessory)
- Control board protection pocket built into cabinet wall
- Premarked Conduit Connection Locations
- Alert port to view control board codes without door removal
- Alert code notification
- Low voltage terminal connection point
- Phillips head door fasteners
- **Vortica®** blower with polarized plug connections and integrated slide deck for easy removal
- Aluminum coil with integrated slide deck for easy removal and polarized plug connections on coil EEV
- Patented enhanced coil fin
- Electronic Expansion Valve (EEV) with low ambient and low superheat compressor protection
- Dual refrigerant compatible as shipped
- Slide in electric heaters with polarized plug connections (sold as accessory)
- Slide in hot water coils with polarized plug connections (sold as accessory)
- UVC light kit with safety switch and polarized plug connections (sold as accessory)
- Labeled panels and connections
- Molded in 1" standard filter rail
- Variable speed ECM motor
- Soft start fan motor operation
- **Comfort R™** mode
- Built in fan delay modes
- Maximum width of 23.5"
- Compact 20.8" depth with doors removed
- Fused 24v power
- Safety door switch
- **5 year warranty**
- **10-year warranty registered**
- **Optional extended warranty available**



Push up & down to scroll through setup menu

Push left & right to scroll through menu options



Intertek



Trane

6200 Troup Highway
Tyler, TX 75707

The manufacturer has a policy of continuous product and product data improvement and it reserves the right to change design and specification without notice.