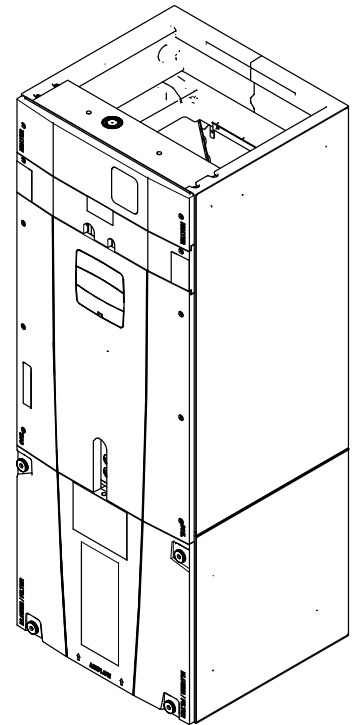




Submittal

5 Ton Convertible Air Handler
TAM7B0C60H51SC – Standard Coil
TAM7B0C60H51EA – Black Epoxy Coil



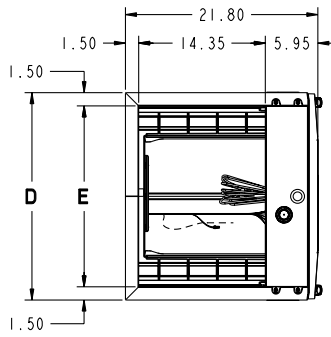
TAG: _____

⚠ SAFETY WARNING

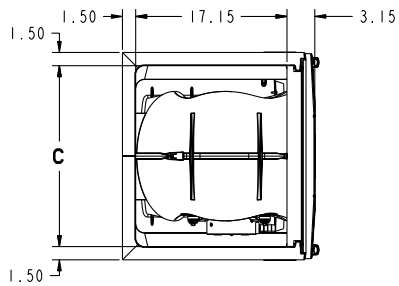
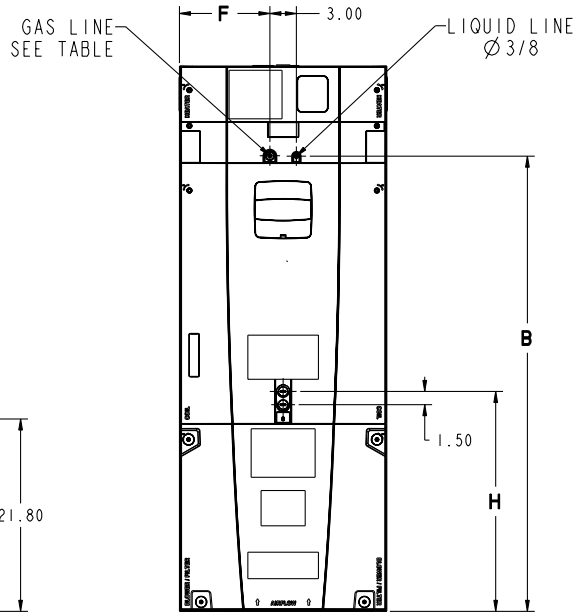
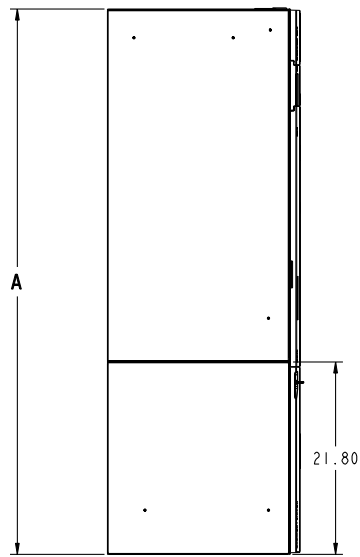
Only qualified personnel should install and service the equipment. The installation, starting up, and servicing of heating, ventilating, and air-conditioning equipment can be hazardous and requires specific knowledge and training. Improperly installed, adjusted or altered equipment by an unqualified person could result in death or serious injury. When working on the equipment, observe all precautions in the literature and on the tags, stickers, and labels that are attached to the equipment.



Outline Drawing



MINIMUM UNIT CLEARANCE TABLE		
	TO COMBUSTIBLE MATERIAL (REQUIRED)	SERVICE CLEARANCE (RECOMMENDED)
SIDES	0"	2"
FRONT	0"	21"
BACK	0"	0"
INLET DUCT	0"	
OUTLET DUCT	0"	



MODEL NO.	A	B	C	D	E	F	H	FLOW CONTROL	GAS LINE BRAZE	LIQ LINE BRAZE
TAM7B0C60H51SC TAM7B0C60H51EA	61.7	51.5	20.5	23.5	20.5	10.3	24.9	EEV	7/8	3/8



PRODUCT SPECIFICATIONS

MODEL	TAM7B0C6051SC TAM7B0C6051EA
RATED VOLTS/PH/HZ.	200-230/1/60
RATINGS (a)	See O.D. Specifications
INDOOR COIL – Type	Plate Fin
Rows – F.P.I.	4 – 14
Face Area (sq. ft.)	5.96
Tube Size (in.)	3/8
Refrigerant Control	EEV
Drain Conn. Size (in.) ^(b)	3/4 NPT
DUCT CONNECTIONS	See Outline Drawing
INDOOR FAN – Type	Centrifugal
Diameter-Width (In.)	11 x 10
No. Used	1
Drive – No. Speeds	Direct - Variable
CFM vs. in. w.g.	See Fan Performance Table
No. Motors – H.P.	1 – 1
Motor Speed RPM	Variable ECM
Volts/Ph/Hz	208-230/1/60
F.L. Amps	5.5
FILTER	
Filter Furnished?	No
Type Recommended	Throwaway
No.-Size-Thickness	1 – 22 x 20 – 1 in.
REFRIGERANT	R-410A
Ref. Line Connections	Brazed
Coupling or Conn. Size-in. Gas	7/8
Coupling or Conn. Size-in. Liq.	3/8
DIMENSIONS	H x W x D
Crated (In.)	62-3/4 x 25-1/4 x 23-1/2
Uncrated	61-11/16 x 23-1/2 x 21-3/4
WEIGHT	
Shipping (Lbs.)/Net (Lbs.)	175/163

(a) These Air Handlers are AHRI certified with various Split System Air Conditioners and Heat Pumps (AHRI STANDARD 210/240).

(b) 3/4" Male Plastic Pipe (Ref.:ASTM 1785-76)

TAM7B0C60H51SC, TAM7B0C60H51EA											
Heater Model No.	No. of Circuits	240 Volt					208 Volt				
		Capacity		Heater Amps per Circuit	Minimum Circuit Ampacity	Maximum Overload Protection	Capacity		Heater Amps per Circuit	Minimum Circuit Ampacity	Maximum Overload Protection
		kW	BTUH				kW	BTUH			
No Heater	0	-	-	5.5 **	7	15	-	-	5.5 **	5	15
BAYEVAC04++1	1	3.84	13100	16.0	27	30	2.88	9800	13.8	24	25
BAYEVAC05++1	1	4.80	16400	20.0	32	35	3.60	12300	17.3	29	30
BAYEVAC08++1	1	7.68	26200	32.0	47	50	5.76	19700	27.7	41	45
BAYEVAC10++1	1	9.60	32800	40.0	57	60	7.20	24600	34.6	50	50
BAYEVAC10LG3	1-3 PH	9.60	32800	23.1	35	35	7.20	24600	20.0	31	35
BAYEVBC15LG3	1-3 PH	14.40	42000	34.6	49	50	10.80	36900	30.0	44	45
BAYEVBC15BK1-Circuit 1 ^(a)	2	9.60	32800	40.0	57	60	7.20	24600	34.6	50	50
BAYEVBC15BK1-Circuit 2		4.80	16400	20.0	25	25	3.60	12300	17.3	22	25
BAYEVBC20BK1-Circuit 1	2	9.60	32800	40.0	57	60	7.20	24600	34.6	50	50
BAYEVBC20BK1-Circuit 2		9.60	32800	40.0	50	50	7.20	24600	34.6	43	45
BAYEVCC25BK1 ^(b) -Circuit 1	3	9.60	32800	40.0	57	60	7.20	24600	34.6	50	50
^(a) BAYEVCC25BK1-Circuit 2		9.60	32800	40.0	50	50	7.20	24600	34.6	43	45
BAYEVCC25BK1-Circuit 3		4.80	16400	20.0	25	25	3.60	12300	17.3	22	25

1. ** Motor Amps

2. See Air Handler nameplate for additional information.

3. Heater model numbers may have additional suffix digits.

(a) MCA and MOP for circuit 1 contains the motor amps

(b) Heater not qualified for 208V when installed in horizontal left position without Heat Pump.



TAM7B0C60 AIRFLOW PERFORMANCE										CONSTANT CFM MODE / CONSTANT TORQUE MODE									
OUTDOOR MULTIPLIER (TONS)	COOLING AIRFLOW SETTING	AIRFLOW POWER	EXTERNAL STATIC PRESSURE (Constant CFM / Constant Torque)					HEATING AIRFLOW SETTING	AIRFLOW POWER	EXTERNAL STATIC PRESSURE									
			0.1	0.3	0.5	0.7	0.9			0.1	0.3	0.5	0.7	0.9					
3.5 tons	370 CFM/ton	CFM	1316 / 1404	1328 / 1330	1328 / 1244	1320 / 1146	1308 / 1033	400	CFM	1404	1424	1426	1419	1410					
	380 CFM/ton	Watts	194 / 201	258 / 234	314 / 260	364 / 276	406 / 280	CFM/ton	Watts	205	275	337	391	440					
	390 CFM/ton	Watts	1349 / 1435	1360 / 1362	1359 / 1278	1352 / 1183	1338 / 1074	410	CFM	1437	1455	1457	1451	1441					
	400 CFM/ton	Watts	207 / 213	272 / 247	329 / 273	380 / 290	422 / 295	CFM/ton	Watts	218	289	351	407	456					
	370 CFM/ton	Watts	1381 / 1466	1391 / 1394	1390 / 1312	1383 / 1220	1370 / 1115	420	CFM	1467	1487	1489	1482	1474					
	380 CFM/ton	Watts	220 / 225	286 / 260	344 / 287	396 / 304	439 / 310	CFM/ton	Watts	230	303	367	423	474					
	390 CFM/ton	Watts	1413 / 1496	1422 / 1426	1421 / 1346	1415 / 1256	1402 / 1154	430	CFM	1500	1516	1519	1515	1505					
	400 CFM/ton	Watts	234 / 238	300 / 273	360 / 301	412 / 319	456 / 325	CFM/ton	Watts	244	317	382	441	491					
	370 CFM/ton	Watts	1485 / 1583	1493 / 1516	1493 / 1441	1486 / 1357	1475 / 1263	400	CFM	1586	1600	1604	1601	1592					
	380 CFM/ton	Watts	269 / 278	337 / 314	398 / 342	452 / 362	498 / 370	CFM/ton	Watts	285	360	428	490	543					
4 tons	370 CFM/ton	CFM	1521 / 1618	1529 / 1552	1528 / 1479	1522 / 1396	1511 / 1305	410	CFM	1622	1636	1640	1638	1629					
	380 CFM/ton	Watts	287 / 295	356 / 331	418 / 360	474 / 380	520 / 389	CFM/ton	Watts	303	379	449	512	566					
	390 CFM/ton	Watts	1557 / 1654	1564 / 1589	1564 / 1516	1559 / 1436	1548 / 1347	420	CFM	1659	1672	1677	1675	1667					
	400 CFM/ton	Watts	306 / 313	376 / 350	440 / 379	496 / 400	544 / 409	CFM/ton	Watts	322	399	471	535	591					
	370 CFM/ton	Watts	1593 / 1689	1600 / 1625	1600 / 1554	1595 / 1475	1585 / 1389	430	CFM	1695	1708	1713	1712	1705					
	380 CFM/ton	Watts	326 / 332	397 / 369	462 / 399	519 / 420	568 / 430	CFM/ton	Watts	342	421	493	559	616					
	390 CFM/ton	Watts	1652 / 1748	1659 / 1685	1660 / 1616	1655 / 1540	1646 / 1456	400	CFM	1769	1782	1789	1788	1783					
	400 CFM/ton	Watts	360 / 365	433 / 403	500 / 433	559 / 454	610 / 465	CFM/ton	Watts	385	467	543	611	671					
	370 CFM/ton	Watts	1694 / 1789	1701 / 1727	1701 / 1659	1697 / 1548	1688 / 1503	410	CFM	1811	1826	1831	1832	1827					
	380 CFM/ton	Watts	386 / 390	460 / 427	528 / 458	589 / 480	641 / 491	CFM/ton	Watts	411	495	572	643	704					
4.5 tons ***†	370 CFM/ton	CFM	1736 / 1831	1742 / 1770	1744 / 1703	1740 / 1629	1732 / 1549	420	CFM	1854	1869	1875	1877	1872					
	380 CFM/ton	Watts	413 / 416	489 / 454	558 / 484	620 / 506	673 / 518	CFM/ton	Watts	439	525	604	676	739					
	390 CFM/ton	Watts	1778 / 1873	1784 / 1813	1786 / 1747	1783 / 1675	1776 / 1597	430	CFM	1898	1913	1919	1921	1918					
	400 CFM/ton	Watts	442 / 443	519 / 481	590 / 512	653 / 534	707 / 546	CFM/ton	Watts	468	556	637	711	777					
	370 CFM/ton	Watts	1826 / 1921	1833 / 1862	1835 / 1797	1832 / 1726	1826 / 1650	400	CFM	1963	1978	1985	1988	1985					
	380 CFM/ton	Watts	475 / 476	555 / 515	627 / 545	692 / 568	748 / 580	CFM/ton	Watts	515	606	689	766	833					
	390 CFM/ton	Watts	1875 / 1971	1882 / 1912	1884 / 1848	1882 / 1778	1876 / 1703	410	CFM	2014	2029	2037	2040	2038					
	400 CFM/ton	Watts	512 / 512	593 / 550	667 / 581	733 / 616	791 / 616	CFM/ton	Watts	554	647	733	811	880					
	370 CFM/ton	Watts	1924 / 2021	1932 / 1963	1935 / 1900	1933 / 1832	1927 / 1758	420	CFM	2066	2082	2090	2093	2090					
	380 CFM/ton	Watts	551 / 550	634 / 588	710 / 619	777 / 641	836 / 654	CFM/ton	Watts	595	691	779	859	928					
5 tons	370 CFM/ton	CFM	1975 / 2073	1983 / 2015	1986 / 1953	1985 / 1886	1979 / 1814	430	CFM	2120	2136	2143	2147	2143					
	380 CFM/ton	Watts	593 / 590	678 / 629	755 / 660	824 / 682	884 / 695	CFM/ton	Watts	640	738	828	909	980					
	390 CFM/ton	Watts	1826 / 1921	1833 / 1862	1835 / 1797	1832 / 1726	1826 / 1650	400	CFM	1963	1978	1985	1988	1985					
	400 CFM/ton	Watts	475 / 476	555 / 515	627 / 545	692 / 568	748 / 580	CFM/ton	Watts	515	606	689	766	833					
	370 CFM/ton	Watts	1875 / 1971	1882 / 1912	1884 / 1848	1882 / 1778	1876 / 1703	410	CFM	2014	2029	2037	2040	2038					
	380 CFM/ton	Watts	512 / 512	593 / 550	667 / 581	733 / 616	791 / 616	CFM/ton	Watts	554	647	733	811	880					
	390 CFM/ton	Watts	1924 / 2021	1932 / 1963	1935 / 1900	1933 / 1832	1927 / 1758	420	CFM	2066	2082	2090	2093	2090					
	400 CFM/ton	Watts	551 / 550	634 / 588	710 / 619	777 / 641	836 / 654	CFM/ton	Watts	595	691	779	859	928					
	370 CFM/ton	Watts	1975 / 2073	1983 / 2015	1986 / 1953	1985 / 1886	1979 / 1814	430	CFM	2120	2136	2143	2147	2143					
	380 CFM/ton	Watts	593 / 590	678 / 629	755 / 660	824 / 682	884 / 695	CFM/ton	Watts	640	738	828	909	980					

- † Factory Setting
- ** Not an actual OD size
- Status LED will blink once per 100 CFM requested. In torque mode, actual airflow may be lower.
- Torque mode will reduce airflow when static is above approximately 0.4" water column.
- If the air handler is applied in downflow or horizontal configurations, the airflow should not exceed 2000 CFM. Airflow above 2000 CFM could result in water blow-off.
- All heating modes default to Constant CFM.
- Cooling airflow values are with wet coil, no filter

MINIMUM HEATING AIRFLOW CFM — HEATER MATRIX									
MODEL NO.	BAYEVAC04BK1AA BAYEVAC04LG1AA BAYEVAC05BK1AA BAYEVAC05LG1AA	BAYEVAC10B-K1AA BAYEVAC10L-G1AA	BAYEVAC10LG3AA	BAYEVCB15LG3AA	BAYEVC25B-K1AA	BAYEVC20B-K1AA	1500 / 1750	1625 (a) / 1813	
TAM7B0C60	1063 / 1188	1125 / 1500	1000 / 1188	1125 / 1563	1250 / 1750	1500 / 1750	1625 (a) / 1813		

WITHOUT HEAT PUMP / WITH HP — SEE AIR HANDLER NAMEPLATE

Note: Minimum auxiliary heating airflow is automatically configured by the air handler model and the auxiliary heater model number. This is not field adjustable.

(a) Heater not qualified for 208V when installed in horizontal left position without Heat Pump



Features and Benefits

- Unique cabinet design
 - 2% or less air leakage
 - Precision applied — durable door seals
 - Specially designed air seal around refrigerant, condensate and conduit connections
 - Double wall foamed cabinet system
 - R-4.2 Insulating Value (Avg Insulating Value R-8.2)
 - No loose fiber design
 - Smooth cleanable interior design
 - Sweat eliminating design
 - Composite foamed cabinet doors
 - Water proof cabinet design
 - Integrated horizontal drain pans
 - Modular cabinet
- Multi-position up/down flow horizontal left/right
- Side return option (sold as accessory)
- Control board protection pocket built into cabinet wall
- Pre-marked Conduit Connection Locations
- Alert port to view control board codes without door removal
- Alert code notification
- Low voltage terminal connection point
- Phillips head door fasteners
- **Vortica®** blower with polarized plug connections and integrated slide deck for easy removal
- Aluminum coil with integrated slide deck for easy removal and polarized plug connections on coil EEV
- Patented enhanced coil fin
- Electronic Expansion Valve (EEV) with low ambient and low superheat compressor protection
- Dual refrigerant compatible as shipped
- Slide in electric heaters with polarized plug connections (sold as accessory)
- Slide in hot water coils with polarized plug connections (sold as accessory)
- UVC light kit with safety switch and polarized plug connections (sold as accessory)
- Labeled panels and connections
- Molded in 1" standard filter rail
- Variable speed ECM motor
- Soft start fan motor operation
- **Comfort R™** mode
- Built in fan delay modes
- Maximum width of 23.5"
- Compact 20.8" depth with doors removed
- Fused 24v power
- Safety door switch
- **5 Year Warranty**
- **10 Year Warranty Registered**
- **Optional Extended Warranty Available**



Trane optimizes the performance of homes and buildings around the world. A business of Ingersoll Rand, the leader in creating and sustaining safe, comfortable and energy efficient environments, Trane offers a broad portfolio of advanced controls and HVAC systems, comprehensive building services, and parts. For more information, visit www.Trane.com.

Trane has a policy of continuous product and product data improvements and reserves the right to change design and specifications without notice.

©2013 Trane

TAM7B0C60-SUB-1C-EN 22 Apr 2014

Supersedes TAM7B0C60-SUB-1B-EN (April 2014)

