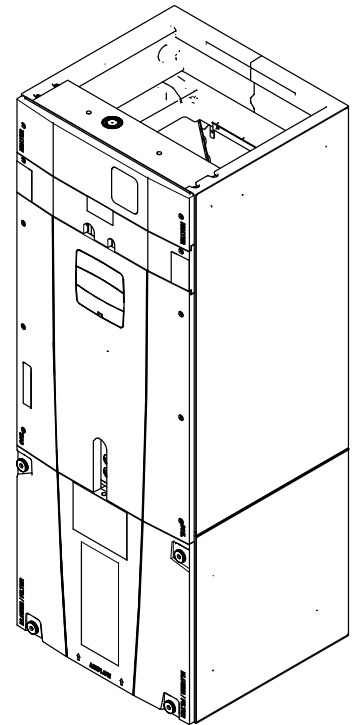




# Submittal

**4 Ton Convertible Air Handler**  
**TAM7A0C48H41SD — Standard Coil**  
**TAM7A0C48H41EA — Black Epoxy Coil**



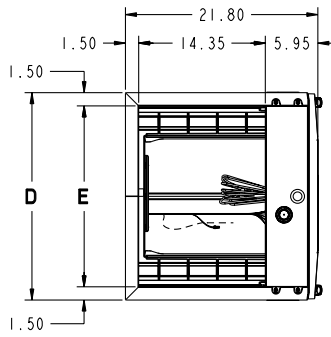
TAG: \_\_\_\_\_

## **⚠ SAFETY WARNING**

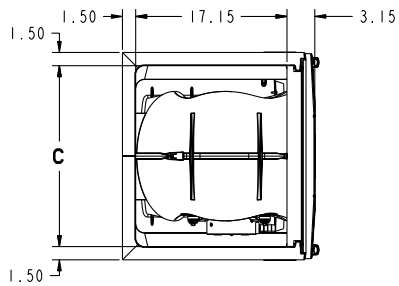
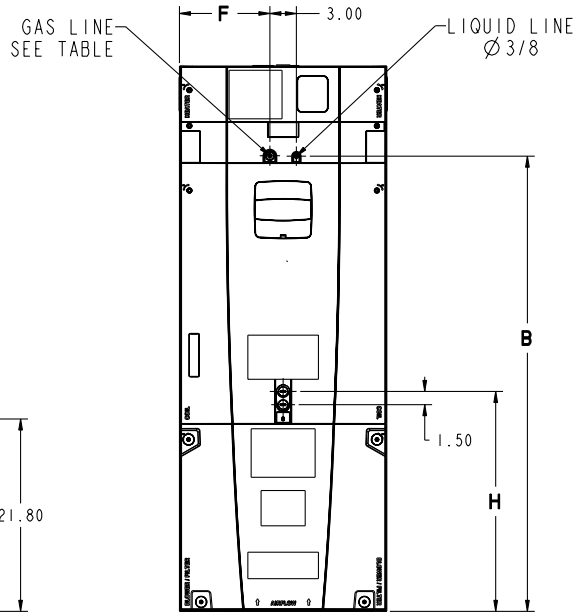
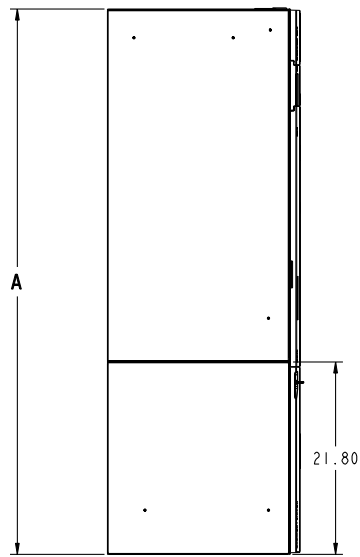
Only qualified personnel should install and service the equipment. The installation, starting up, and servicing of heating, ventilating, and air-conditioning equipment can be hazardous and requires specific knowledge and training. Improperly installed, adjusted or altered equipment by an unqualified person could result in death or serious injury. When working on the equipment, observe all precautions in the literature and on the tags, stickers, and labels that are attached to the equipment.



# Outline Drawing



MINIMUM UNIT CLEARANCE TABLE		
	TO COMBUSTIBLE MATERIAL (REQUIRED)	SERVICE CLEARANCE (RECOMMENDED)
SIDES	0"	2"
FRONT	0"	21"
BACK	0"	0"
INLET DUCT	0"	
OUTLET DUCT	0"	



MODEL NO.	A	B	C	D	E	F	H	FLOW CONTROL	GAS LINE BRAZE	LIQ LINE BRAZE
TAM7A0C48H41SD TAM7A0C48H41EA	61.7	51.5	20.5	23.5	20.5	10.3	24.9	EEV	7/8	3/8



# PRODUCT SPECIFICATIONS

MODEL	TAM7A0C48H41SD TAM7A0C48H41EA
<b>RATED VOLTS/PH/HZ.</b>	200-230/1/60
<b>RATINGS</b> (a)	See O.D. Specifications
<b>INDOOR COIL – Type</b>	Plate Fin
Rows – F.P.I.	4 – 14
Face Area (sq. ft.)	5.96
Tube Size (in.)	3/8
Refrigerant Control	EEV
Drain Conn. Size (in.) <sup>(b)</sup>	3/4 NPT
<b>DUCT CONNECTIONS</b>	See Outline Drawing
<b>INDOOR FAN – Type</b>	Centrifugal
Diameter-Width (In.)	11 x 10
No. Used	1
Drive – No. Speeds	Direct - Variable
CFM vs. in. w.g.	See Fan Performance Table
No. Motors – H.P.	1 – 3/4
Motor Speed RPM	Variable ECM
Volts/Ph/Hz	208-230/1/60
F.L. Amps	4.2
<b>FILTER</b>	
Filter Furnished?	No
Type Recommended	Throwaway
No.-Size-Thickness	1 – 22 x 20 – 1 in.
<b>REFRIGERANT</b>	<b>R-410A</b>
Ref. Line Connections	Brazed
Coupling or Conn. Size-in. Gas	7/8
Coupling or Conn. Size-in. Liq.	3/8
<b>DIMENSIONS</b>	H x W x D
Crated (In.)	62-3/4 x 25-1/4 x 23-1/2
Uncrated	61-3/4 x 23-1/2 x 21-3/4
<b>WEIGHT</b>	
Shipping (Lbs.)/Net (Lbs.)	175/163

(a) These Air Handlers are AHRI certified with various Split System Air Conditioners and Heat Pumps (AHRI STANDARD 210/240).

(b) 3/4" Male Plastic Pipe (Ref.:ASTM 1785-76)

TAM7A0C48H41SD, TAM7A0C48H41EA											
Heater Model No.	No. of Circuits	240 Volt					208 Volt				
		Capacity		Heater Amps per Circuit	Minimum Circuit Ampacity	Maximum Overload Protection	Capacity		Heater Amps per Circuit	Minimum Circuit Ampacity	Maximum Overload Protection
		kW	BTUH				kW	BTUH			
No Heater	0	-	-	4.2 **	5	15	-	-	4.2 **	5	15
BAYEVAC04++1	1	3.84	13100	16.0	25	25	2.88	9800	13.8	23	25
BAYEVAC05++1	1	4.80	16400	20.0	30	30	3.60	12300	17.3	27	30
BAYEVAC08++1	1	7.68	26200	32.0	45	45	5.76	19700	27.7	40	40
BAYEVAC10++1	1	9.60	32800	40.0	55	60	7.20	24600	34.6	49	50
BAYEVAC10LG3	1-3 PH	9.60	32800	23.1	34	35	7.20	24600	20.0	30	30
BAYEVBC15LG3	1-3 PH	14.40	42000	34.6	48	50	10.80	36900	30.0	42	45
BAYEVBC15BK1- Circuit 1 <sup>(a)</sup>	2	9.60	32800	40.0	55	60	7.20	24600	34.6	49	50
BAYEVBC15BK1- Circuit 2		4.80	16400	20.0	25	25	3.60	12300	17.3	22	25
BAYEVBC20BK1- Circuit 1	2	9.60	32800	40.0	55	60	7.20	24600	34.6	49	50
BAYEVBC20BK1- Circuit 2		9.60	32800	40.0	50	50	7.20	24600	34.6	43	45
BAYEVCC25BK1- Circuit 1	3	9.60	32800	40.0	55	60	7.20	24600	34.6	49	50
BAYEVBC25BK1- Circuit 2		9.60	32800	40.0	50	50	7.20	24600	34.6	43	45
BAYEVBC25BK1- Circuit 3		4.80	16400	20.0	25	25	3.60	12300	17.3	22	25

- \*\* Motor Amps
- See Air Handler nameplate for additional information.
- Heater model numbers may have additional suffix digits.

(a) MCA and MOP for circuit 1 contains the motor a



TAM7A0C48 AIRFLOW PERFORMANCE										CONSTANT CFM MODE / CONSTANT TORQUE MODE									
OUTDOOR MULTIPLIER (TONS)	COOLING AIRFLOW SETTING	AIRFLOW POWER	EXTERNAL STATIC PRESSURE (Constant CFM / Constant Torque)					HEATING AIRFLOW SETTING	AIRFLOW POWER	EXTERNAL STATIC PRESSURE									
			0.1	0.3	0.5	0.7	0.9			0.1	0.3	0.5	0.7	0.9					
3 tons	330 CFM/ton	CFM Watts	1101/1127 92/117	1017/1020 143/143	1006/786 232/173	886/622 195/137	994/654 270/174	380 CFM/ton	CFM Watts	1150 128	1155 184	1154 237	1150 286	1141 330					
	350 CFM/ton	CFM Watts	1067/1180 106/132	1073/1078 158/160	1065/859 252/192	1065/859 252/192	1053/738 292/194	400 CFM/ton	CFM Watts	1204 145	1204 203	1210 259	1207 310	1199 356					
	370 CFM/ton	CFM Watts	1122/1233 120/149	1129/1136 175/177	1122/929 274/212	1208/1029 309/244	1112/816 315/215	420 CFM/ton	CFM Watts	1259 162	1259 224	1267 282	1264 335	1258 384					
	390 CFM/ton	CFM Watts	1177/1287 136/167	1185/1194 194/196	1180/996 297/233	1353/1190 377/305	1170/890 341/238	440 CFM/ton	CFM Watts	1314 182	1322 246	1324 307	1322 363	1316 413					
	330 CFM/ton	CFM Watts	1164/1274 132/162	1171/1179 189/191	1165/980 291/227	1031/817 240/181	1156/872 334/232	380 CFM/ton	CFM Watts	1323 185	1331 250	1333 250	1331 368	1325 418					
3.5 tons	350 CFM/ton	CFM Watts	1228/1336 152/185	1235/1246 212/215	1232/1056 319/253	1232/1056 319/253	1224/955 365/259	400 CFM/ton	CFM Watts	1388 211	1398 279	1400 343	1399 403	1395 457					
	370 CFM/ton	CFM Watts	1292/1400 174/210	1300/1313 237/241	1299/1132 350/281	1401/1244 402/328	1292/1036 399/288	420 CFM/ton	CFM Watts	1455 240	1465 312	1468 379	1469 441	1463 497					
	390 CFM/ton	CFM Watts	1356/1465 198/238	1366/1381 265/270	1367/1207 384/312	1575/1434 505/422	1361/1115 435/320	440 CFM/ton	CFM Watts	1523 272	1534 347	1538 418	1538 483	1534 542					
	330 CFM/ton	CFM Watts	1315/1443 212/228	1324/1358 247/260	1323/1181 362/301	1170/1010 293/237	1316/1088 412/308	380 CFM/ton	CFM Watts	1502 262	1514 337	1518 406	1518 471	1514 529					
	350 † CFM/ton	CFM Watts	1389/1517 212/262	1399/1436 280/295	1401/1266 402/338	1401/1266 402/338	1395/1177 455/346	400 CFM/ton	CFM Watts	1582 302	1594 382	1598 454	1598 522	1591 581					
4 tons †	370 CFM/ton	CFM Watts	1465/1594 245/301	1476/1516 317/335	1480/1352 446/379	1600/1483 521/450	1475/1267 502/388	420 CFM/ton	CFM Watts	1664 348	1675 421	1680 508	1678 577	1669 638					
	390 CFM/ton	CFM Watts	1543/1673 283/346	1555/1597 359/380	1560/1439 495/425	1793/1701 663/592	1554/1356 553/434	440 CFM/ton	CFM Watts	1748 400	1758 486	1760 565	1755 634	1708 668					
	330 CFM/ton	CFM Watts	1470/1599 247/304	1481/1521 319/337	1485/1357 449/382	1309/1165 355/294	1480/1272 505/391	380 CFM/ton	CFM Watts	1695 367	1706 451	1710 528	1707 598	1697 659					
	350 CFM/ton	CFM Watts	1558/1688 290/354	1570/1613 367/389	1575/1455 505/434	1575/1455 505/434	1568/1373 563/444	400 CFM/ton	CFM Watts	1790 428	1799 515	1799 594	1792 664	1700 661					
	370 CFM/ton	CFM Watts	1649/1780 340/412	1661/1707 422/447	1664/1554 565/493	1793/1701 663/592	1655/1475 625/503	420 CFM/ton	CFM Watts	1885 496	1889 584	1884 662	1783 656	1683 648					
4.5 tons**	390 CFM/ton	CFM Watts	1742/1873 397/477	1754/1801 483/512	1751/1653 630/558	1749/1749 637/637	1708/1576 666/567	440 CFM/ton	CFM Watts	1976 568	1973 655	1871 652	1765 643	1667 636					
	<ul style="list-style-type: none"> <li>† Factory Setting</li> <li>** Not an actual OD size</li> <li>Status LED will blink once per 100 CFM requested. In torque mode, actual airflow may be lower.</li> <li>Torque mode will reduce airflow when static is above approximately 0.4" water column.</li> </ul>										<ul style="list-style-type: none"> <li>If the air handler is applied in downflow or horizontal configurations, the airflow should not exceed 2000 CFM. Airflow above 2000 CFM could result in water blow-off.</li> <li>All heating modes default to Constant CFM.</li> <li>Cooling airflow values are with wet coil, no filter</li> </ul>								
MINIMUM HEATER AIRFLOW CFM — HEATER MATRIX																			
MODEL NO.	BAYEVAC04BK1AA BAYEVAC04LG1AA BAYEVAC05BK1AA BAYEVAC05LG1AA	BAYEVAC08BK1AA BAYEVAC08LG1AA	BAYEVAC10BK1AA BAYEVAC10LG1AA	BAYEVAC10LG3AA	BAYEVCB15LG3AA	BAYEVCB15BK1AA	BAYEVCB15LG3AA	BAYEVCB15BK1AA	BAYEVC20B-K1AA	BAYEVC25B-K1AA									
TAM7A0C48	1063 / 1188	1125 / 1500	1000 / 1188	1125 / 1563	1250 / 1625	1500 / 1750	1625 / 1813	WITHOUT HEAT PUMP / WITH HP — SEE AIR HANDLER NAMEPLATE											
<b>Note:</b> Minimum auxiliary heating airflow is automatically configured by the air handler model and the auxiliary heater model number. This is not field adjustable.																			



## Features and Benefits

- Unique cabinet design
  - 2% or less air leakage
  - Precision applied — durable door seals
  - Specially designed air seal around refrigerant, condensate and conduit connections
  - Double wall foamed cabinet system
  - R-4.2 Insulating Value (Avg Insulating Value R-8.2)
  - No loose fiber design
  - Smooth cleanable interior design
  - Sweat eliminating design
  - Composite foamed cabinet doors
  - Water proof cabinet design
  - Integrated horizontal drain pans
  - Modular cabinet
- Multi-position up/down flow horizontal left/right
- Side return option (sold as accessory)
- Control board protection pocket built into cabinet wall
- Pre-marked Conduit Connection Locations
- Alert port to view control board codes without door removal
- Alert code notification
- Low voltage terminal connection point
- Phillips head door fasteners
- **Vortica®** blower with polarized plug connections and integrated slide deck for easy removal
- Aluminum coil with integrated slide deck for easy removal and polarized plug connections on coil EEV
- Patented enhanced coil fin
- Electronic Expansion Valve (EEV) with low ambient and low superheat compressor protection
- Dual refrigerant compatible as shipped
- Slide in electric heaters with polarized plug connections (sold as accessory)
- Slide in hot water coils with polarized plug connections (sold as accessory)
- UVC light kit with safety switch and polarized plug connections (sold as accessory)
- Labeled panels and connections
- Molded in 1" standard filter rail
- Variable speed ECM motor
- Soft start fan motor operation
- **Comfort R™** mode
- Built in fan delay modes
- Maximum width of 23.5"
- Compact 20.8" depth with doors removed
- Fused 24v power
- Safety door switch
- **5 Year Warranty**
- **10 Year Warranty Registered**
- **Optional Extended Warranty Available**



Trane optimizes the performance of homes and buildings around the world. A business of Ingersoll Rand, the leader in creating and sustaining safe, comfortable and energy efficient environments, Trane offers a broad portfolio of advanced controls and HVAC systems, comprehensive building services, and parts. For more information, visit [www.Trane.com](http://www.Trane.com).

Trane has a policy of continuous product and product data improvements and reserves the right to change design and specifications without notice.

©2013 Trane

TAM7A0C48-SUB-1H-EN 22 Apr 2014

Supersedes TAM7A0C48-SUB-1G-EN (April 2014)

