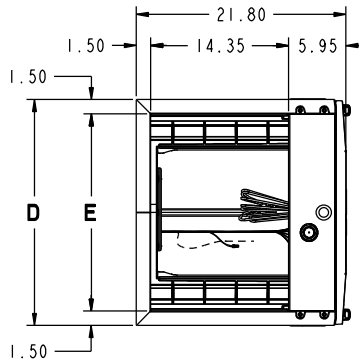




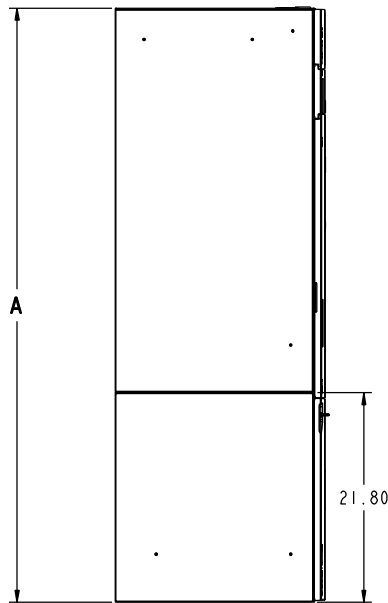
TAG: _____

Submittal

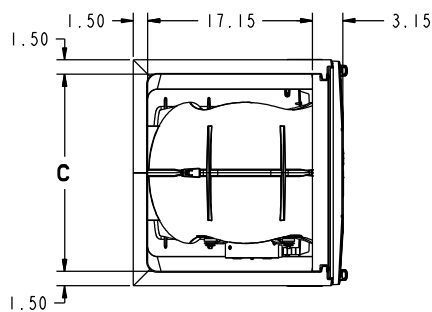
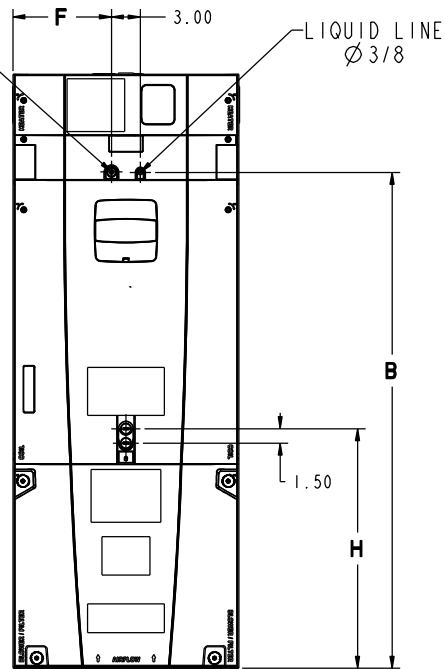
2 Ton Convertible Air Handler TAM4A0A24S21SD



MINIMUM UNIT CLEARANCE TABLE		
	TO COMBUSTIBLE MATERIAL (REQUIRED)	SERVICE CLEARANCE (RECOMMENDED)
SIDES	0"	2"
FRONT	0"	21"
BACK	0"	0"
INLET DUCT	0"	
OUTLET DUCT	0"	



GAS LINE
SEE TABLE



MODEL NO.	A	B	C	D	E	F	H	Flow Control	R-410A Gas Line BRAZE	R-410A Liq. Line BRAZE
TAM4A0A24	49.9	39.6	14.5	17.5	14.5	7.3	26.7	EEV/24V	3/4	3/8

PRODUCT SPECIFICATIONS

PRODUCT SPECIFICATIONS

MODEL	TAM4A0A24S21SD
RATED VOLTS/PH/HZ.	208-230/1/60
RATINGS ①	See O.D. Specifications
INDOOR COIL — Type	Plate Fin
Rows — F.P.I.	3 - 14
Face Area (sq. ft.)	3.21
Tube Size (in.)	3/8
Refrigerant Control	EEV
Drain Conn. Size (in.) ②	3/4 NPT
DUCT CONNECTIONS	See Outline Drawing
INDOOR FAN — Type	Centrifugal
Diameter-Width (In.)	10 X 8
No. Used	1
Drive - No. Speeds	Direct - 3
CFM vs. in. w.g.	See Fan Performance Table
No. Motors — H.P.	1 - 1/4
Motor Speed R.P.M.	1075
Volts/Ph/Hz	208-230/1/60
F.L. Amps - L.R. Amps	1.3 - 2.6
FILTER	
Filter Furnished?	No
Type Recommended	Throwaway
No.-Size-Thickness	1 - 16 X 20 - 1 in.
REFRIGERANT	R-410A
Ref. Line Connections	Brazed
Coupling or Conn. Size — in. Gas	3/4
Coupling or Conn. Size — in. Liq.	3/8
DIMENSIONS	H x W x D
Crated (In.)	51 x 20 x 24-1/2
Uncrated	49-15/16 x 17-1/2 x 21-13/16
WEIGHT	
Shipping (Lbs.)/Net (Lbs.)	126/116

① These Air Handlers are A.H.R.I. certified with various Split System Air Conditioners and Heat Pumps (AHRI STANDARD 210/240). Refer to the Split System Outdoor Unit Product Data Guides for performance data.

② 3/4" Male Plastic Pipe (Ref.: ASTM 1785-76)



TAM4A0A24S21SD MINIMUM HEATER AIRFLOW CFM		
Heater	Minimum Air Speed Tap	
	With Heat Pump	Without Heat Pump
BAYEAC04BK1AA BAYEAC04LG1AA	Tap 1	Tap 1
BAYEAC05BK1AA BAYEAC05LG1AA	Tap 1	Tap 1
BAYEAC08BK1AA BAYEAC08LG1AA	Tap 1	Tap 1
BAYEAC10BK1AA BAYEAC10LG1AA	Tap 2 ①	Tap 1
BAYEAC10LG3AA	Tap 3	Tap 1
BAYEABC15BK1AA	-	-
BAYEABC20BK1AA	-	-

SEE AIR HANDLER NAMEPLATE OR PRODUCT DATA FOR EXCEPTIONS
 ① Minimum Speed Tap is 3 for Horizontal Left only.

Note: Heating and cooling speeds are the same, factory set at Speed Tap #2.

AIRFLOW PERFORMANCE						
TAM4A0A24S21SD						
EXTERNAL STATIC (in w.g)	AIRFLOW (CFM)					
	Speed Taps - 230 VOLTS			Speed Taps - 208 VOLTS		
	3	2 †	1	3	2 †	1
0	1036	871	774	929	746	663
0.1	1008	838	747	890	720	636
0.2	965	806	712	856	686	605
0.3	922	767	676	815	654	564
0.4	875	726	638	777	618	518
0.5	823	681	591	733	568	464
0.6	769	608	505	675	479	398
0.7	673	498	422	572	393	N/A
0.8	515	402	322	436	303	N/A
0.9	339	242	N/A	279	N/A	N/A

NOTES:
1. Values are with wet coil and without filters.
2. Contact your particular filter manufacturer for pressure drop data.
3. Electric heater pressure drop is negligible and is included within the airflow data.
4. † Factory Setting

WIRING DATA											
TAM4A0A24S21SD											
Heater Model No.	No. of Circuits	240 VOLT					208 VOLT				
		Capacity		Heater Amps per Circuit	Minimum Circuit Ampacity	Maximum Overload Protection	Capacity		Heater Amps per Circuit	Minimum Circuit Ampacity	Maximum Overload Protection
		kW	BTUH				kW	BTUH			
No Heater	-	-	-	1.3**	2	15	-	-	1.3**	2	15
BAYEAAC04++1	1	3.84	13100	16	22	25	2.88	9800	13.80	19	20
BAYEAAC05++1	1	4.80	16400	20	27	30	3.60	12300	17.30	23	25
BAYEAAC08++1	1	7.68	26200	32	42	45	5.76	19700	27.70	36	40
BAYEAAC10++1①	1	9.60	32800	40	52	60	7.20	24600	34.60	45	45
BAYEAAC10LG3	1-3PH	9.60	32800	23.1	30	30	7.20	24600	20.00	26	30

Note: ** Motor Amps
① For heat pump, minimum Speed Tap is 3 for Horizontal Left only.

Notes:

1. See Product Data or Air Handler nameplate for approved combinations of Air Handlers and Heaters
2. Heater model numbers may have additional suffix digits.

Mechanical Specifications

- Unique Cabinet Design
 - Double Wall Foamed and Formed Cabinet System
 - Water Proof Cabinet Design
 - \geq R-4.2 Insulating Value (Avg Insulating Value R-8.2)
 - Composite Foamed Cabinet Doors
 - Sweat Eliminating Cabinet Design
 - Loose Fiber Eliminating Cabinet Design
 - Smooth Cleanable Cabinet Design
 - 2% or Less air leakage
 - Precision Durable Door Seals
 - Modular Cabinet Design
- Multi-Position UP/Down Flow Horizontal Left / Right
- Side Return Option
- Braze in Refrigerant Connection
- Primary/Secondary Condensate Connections
- Premarked Conduit Connection Locations
- Vortica® Blower with Integrated Slide Deck for Easy Removal
- Polarized Plug connections on Blower
- Aluminum Coil with Integrated Slide Deck for Easy Removal
- Polarized Plug connections on Coil EEV
- Slide in Electric Heaters
- Polarized Plug connections for Electric Heater
- Labeled Panels and connections
- 1-1/4" to 1" And 3/4" to 1/2" Conduit connection on Left, Right and Top
- Molded in 1" Standard Filter rail
- Electronic Expansion Valve (EEV) With Low Ambient and Low Superheat Protection
- Dual Refrigerant Compatible as Shipped
- Low Voltage Terminal Connection Point
- 8 Alert Codes
- Enhanced Coil Fin Patented
- Blow Through Design
- PSC 3 Speed Motor
- Maximum Width of 23.5"
- Compact 20.8" depth with doors removed
- Integrated Horizontal Drain pans
- Single Color
- Fused 24V Power
- **5 year warranty**
- **10-year warranty registered**
- **Optional extended warranty available**
- **Warranty Mirrors Outdoor**



Trane

6200 Troup Highway
Tyler, TX 75707

The manufacturer has a policy of continuous product and product data improvement and it reserves the right to change design and specification without notice.