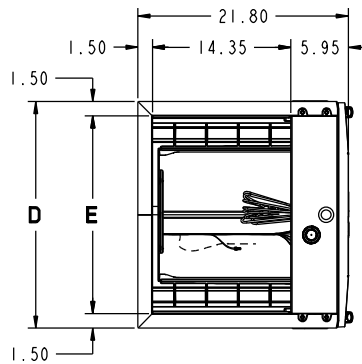




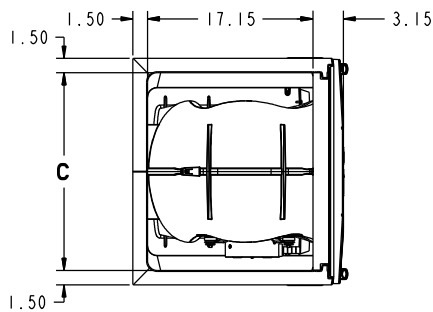
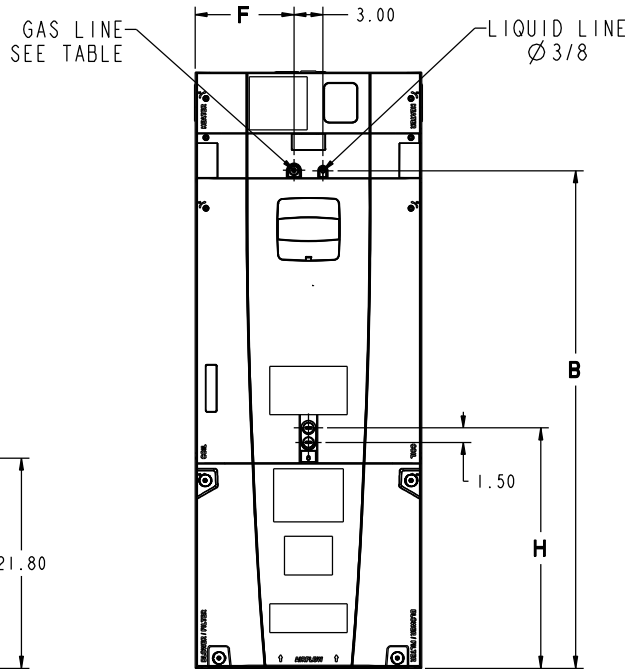
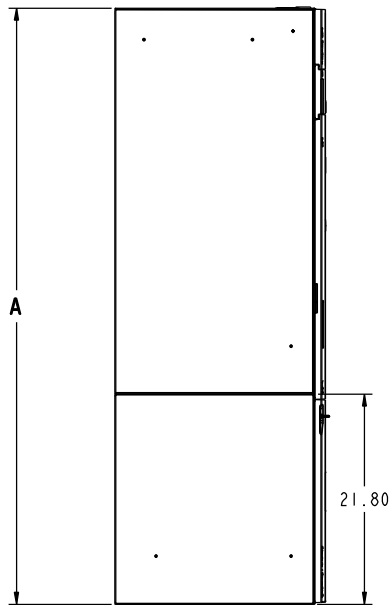
TAG: _____

Submittal

1-1/2 Ton Convertible Air Handler TAM4A0A18S11SD



MINIMUM UNIT CLEARANCE TABLE		
	TO COMBUSTIBLE MATERIAL (REQUIRED)	SERVICE CLEARANCE (RECOMMENDED)
SIDES	0"	2"
FRONT	0"	21"
BACK	0"	0"
INLET DUCT	0"	
OUTLET DUCT	0"	



MODEL NO.	A	B	C	D	E	F	H	Flow Control	R-410A Gas Line BRAZE	R-410A Liq. Line BRAZE
TAM4A0A18	49.9	39.6	14.5	17.5	14.5	7.3	26.7	EEV/24V	3/4	3/8

PRODUCT SPECIFICATIONS

PRODUCT SPECIFICATIONS

MODEL	TAM4A0A18S11SD
RATED VOLTS/PH/Hz.	208-230/1/60
RATINGS ①	See O.D. Specifications
INDOOR COIL — Type	
	Plate Fin
Rows — F.P.I.	3 - 14
Face Area (sq. ft.)	3.21
Tube Size (in.)	3/8
Refrigerant Control	EEV
Drain Conn. Size (in.) ②	3/4 NPT
DUCT CONNECTIONS	
	See Outline Drawing
INDOOR FAN — Type	
	Centrifugal
Diameter-Width (In.)	11 X 8
No. Used	1
Drive - No. Speeds	Direct - 3
CFM vs. in. w.g.	See Fan Performance Table
No. Motors — H.P.	1 - 1/3
Motor Speed R.P.M.	825
Volts/Ph/Hz	208-230/1/60
F.L. Amps - L.R. Amps	2.0 - 4.1
FILTER	
Filter Furnished?	No
Type Recommended	Throwaway
No.-Size-Thickness	1 - 16 X 20 - 1 in.
REFRIGERANT	
	R-410A
Ref. Line Connections	Brazed
Coupling or Conn. Size — in. Gas	3/4
Coupling or Conn. Size — in. Liq.	3/8
DIMENSIONS	
	H x W x D
Crated (In.)	51 x 20 x 24-1/2
Uncrated	49-15/16 x 17-1/2 x 21-13/16
WEIGHT	
Shipping (Lbs.)/Net (Lbs.)	123/113

① These Air Handlers are A.H.R.I. certified with various Split System Air Conditioners and Heat Pumps (AHRI STANDARD 210/240). Refer to the Split System Outdoor Unit Product Data Guides for performance data.

② 3/4" Male Plastic Pipe (Ref.: ASTM 1785-76)



TAM4A0A18S11SD MINIMUM HEATER AIRFLOW CFM		
Heater	Minimum Air Speed Tap	
	With Heat Pump	Without Heat Pump
BAYEAC04BK1AA BAYEAC04LG1AA	Tap 1	Tap 1
BAYEAC05BK1AA BAYEAC05LG1AA	Tap 1	Tap 1
BAYEAC08BK1AA BAYEAC08LG1AA	Tap 2	Tap 1
BAYEAC10BK1AA BAYEAC10LG1AA	Tap 3	Tap 2
BAYEAC10LG3AA	Tap 3	Tap 1
BAYEABC15BK1AA	-	-
BAYEABC20BK1AA	-	-
SEE AIR HANDLER NAMEPLATE OR PRODUCT DATA FOR EXCEPTIONS		

Note: Heating and cooling speeds are the same, factory set at Speed Tap #2.

AIRFLOW PERFORMANCE						
TAM4A0A18S11SD						
EXTERNAL STATIC (in w.g)	AIRFLOW (CFM)					
	Speed Taps - 230 VOLTS			Speed Taps - 208 VOLTS		
	3	2 †	1	3	2 †	1
0	1091	743	677	1065	621	561
0.1	1024	719	659	999	606	544
0.2	952	690	635	929	583	524
0.3	875	651	598	852	551	492
0.4	799	601	553	782	510	451
0.5	726	536	488	706	453	390
0.6	621	431	390	604	369	315
0.7	500	320	N/A	474	225	N/A
0.8	321	N/A	N/A	302	N/A	N/A
0.9	N/A	N/A	N/A	N/A	N/A	N/A

NOTES:
1. Values are with wet coil and without filters.
2. Contact your particular filter manufacturer for pressure drop data.
3. Electric heater pressure drop is negligible and is included within the airflow data.
4. † Factory Setting

WIRING DATA											
TAM4A0A18S11SD											
Heater Model No.	No. of Circuits	240 VOLT					208 VOLT				
		Capacity		Heater Amps per Circuit	Minimum Circuit Ampacity	Maximum Overload Protection	Capacity		Heater Amps per Circuit	Minimum Circuit Ampacity	Maximum Overload Protection
		kW	BTUH				kW	BTUH			
No Heater	-	-	-	2.0**	3	15	-	-	2.0**	3	15
BAYEAAC04++1	1	3.84	13100	16	23	25	2.88	9800	13.80	20	20
BAYEAAC05++1	1	4.80	16400	20	28	30	3.60	12300	17.30	24	25
BAYEAAC08++1	1	7.68	26200	32	43	45	5.76	19700	27.70	37	40
BAYEAAC10++1	1	9.60	32800	40	53	60	7.20	24600	34.60	46	50
BAYEAAC10LG3	1-3PH	9.60	32800	23.1	31	35	7.20	24600	20.00	27	30

Note: ** Motor Amps

Notes:

1. See Product Data or Air Handler nameplate for approved combinations of Air Handlers and Heaters
2. Heater model numbers may have additional suffix digits.

Mechanical Specifications

- Unique Cabinet Design
 - Double Wall Foamed and Formed Cabinet System
 - Water Proof Cabinet Design
 - \geq R-4.2 Insulating Value (Avg Insulating Value R-8.2)
 - Composite Foamed Cabinet Doors
 - Sweat Eliminating Cabinet Design
 - Loose Fiber Eliminating Cabinet Design
 - Smooth Cleanable Cabinet Design
 - 2% or Less air leakage
 - Precision Durable Door Seals
 - Modular Cabinet Design
- Multi-Position UP/Down Flow Horizontal Left / Right
- Side Return Option
- Braze in Refrigerant Connection
- Primary/Secondary Condensate Connections
- Premarked Conduit Connection Locations
- Vortica® Blower with Integrated Slide Deck for Easy Removal
- Polarized Plug connections on Blower
- Aluminum Coil with Integrated Slide Deck for Easy Removal
- Polarized Plug connections on Coil EEV
- Slide in Electric Heaters
- Polarized Plug connections for Electric Heater
- Labeled Panels and connections
- 1-1/4" to 1" And 3/4" to 1/2" Conduit connection on Left, Right and Top
- Molded in 1" Standard Filter rail
- Electronic Expansion Valve (EEV) With Low Ambient and Low Superheat Protection
- Dual Refrigerant Compatible as Shipped
- Low Voltage Terminal Connection Point
- 8 Alert Codes
- Enhanced Coil Fin Patented
- Blow Through Design
- PSC 3 Speed Motor
- Maximum Width of 23.5"
- Compact 20.8" depth with doors removed
- Integrated Horizontal Drain pans
- Single Color
- Fused 24V Power
- **5 year warranty**
- **10-year warranty registered**
- **Optional extended warranty available**
- **Warranty Mirrors Outdoor**



Trane

6200 Troup Highway
Tyler, TX 75707

The manufacturer has a policy of continuous product and product data improvement and it reserves the right to change design and specification without notice.