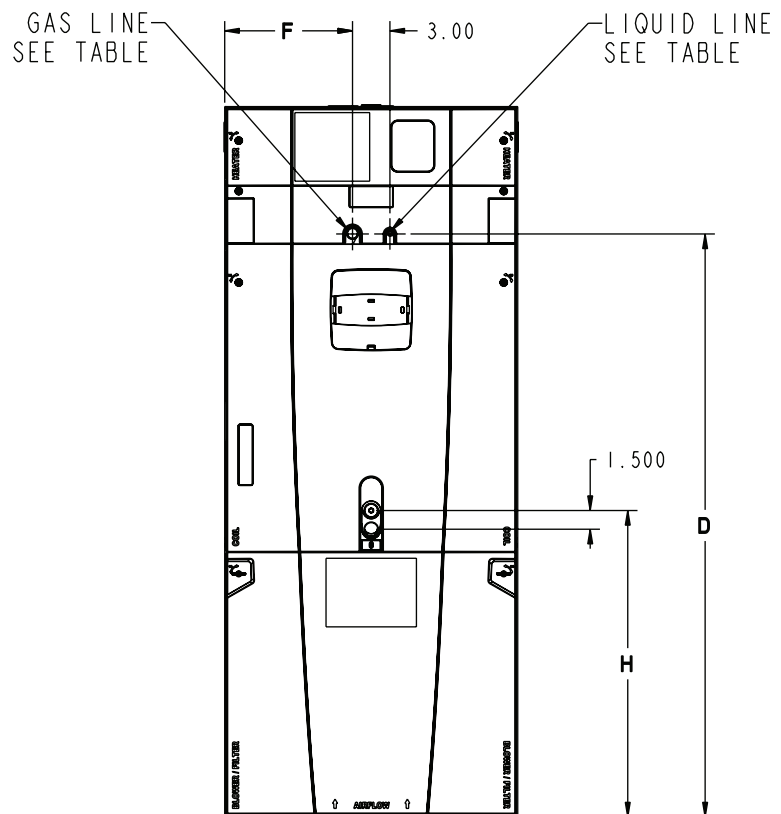
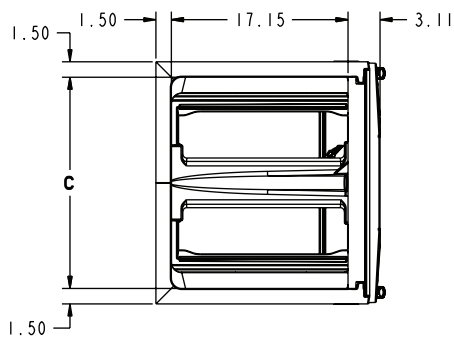
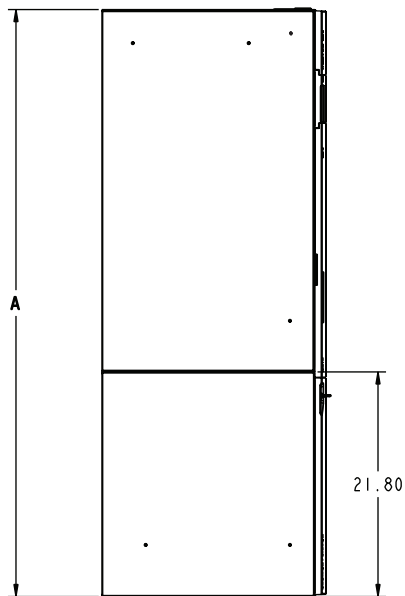
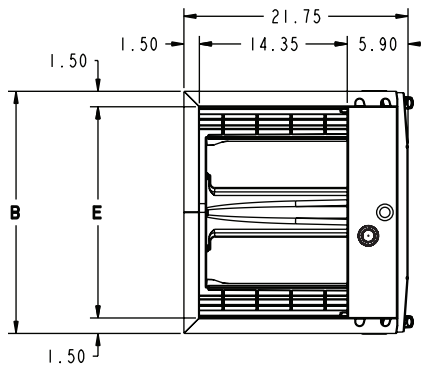


TAG: \_\_\_\_\_

# Submittal

## 4 Ton Convertible Air Handler GAM5A0C48M41SA



	TO COMBUSTIBLE MATERIAL (REQUIRED)	SERVICE CLEARANCE (RECOMMENDED)
SIDES	0"	2"
FRONT	0"	21"
BACK	0"	0"
INLET DUCT	0"	
OUTLET DUCT	0"	

MODEL NO.	A	B	C	D	E	F	H	Flow Control	R-410A Gas Line BRAZE	R-410A Liq. Line BRAZE
GAM5A0C48	61.7	23.5	20.5	51.5	20.5	10.3	24.9	EEV	7/8	3/8

## PRODUCT SPECIFICATIONS

### PRODUCT SPECIFICATIONS

<b>MODEL</b>	<b>GAM5A0C48M41SA</b>
<b>RATED VOLTS/PH/HZ.</b>	208-230/1/60
<b>RATINGS</b> ①	See O.D. Specifications
<b>INDOOR COIL — Type</b>	Plate Fin
Rows — F.P.I.	4 - 14
Face Area (sq. ft.)	5.96
Tube Size (in.)	3/8
Refrigerant Control	EEV
Drain Conn. Size (in.) ②	3/4 NPT
<b>DUCT CONNECTIONS</b>	See Outline Drawing
<b>INDOOR FAN — Type</b>	Centrifugal
Diameter-Width (In.)	11 X 10
No. Used	1
Drive - No. Speeds	Direct - 5
CFM vs. in. w.g.	See Fan Performance Table
No. Motors — H.P.	1 - 3/4
Motor Speed R.P.M.	1050
Volts/Ph/Hz	208-230/1/60
F.L. Amps	6.0
<b>FILTER</b>	
Filter Furnished?	No
Type Recommended	Throwaway
No.-Size-Thickness	1 - 22 X 20 - 1 in.
<b>REFRIGERANT</b>	<b>R-410A</b>
Ref. Line Connections	Brazed
Coupling or Conn. Size — in. Gas	7/8
Coupling or Conn. Size — in. Liq.	3/8
<b>DIMENSIONS</b>	H x W x D
Crated (In.)	63-1/4 x 27-1/2 x 25-3/4
Uncrated	61-3/4 x 23-1/2 x 21-3/4
<b>WEIGHT</b>	
Shipping (Lbs.)/Net (Lbs.)	176/166

① These Air Handlers are A.H.R.I. certified with various Split System Air Conditioners and Heat Pumps (AHRI STANDARD 210/240). Refer to the Split System Outdoor Unit Product Data Guides for performance data.

② 3/4" Male Plastic Pipe (Ref.: ASTM 1785-76)



GAM5A0C48M41SA MINIMUM HEATER AIRFLOW CFM		
Heater	Minimum Air Speed Tap	
	Without HP	With HP
BAYEAAC05BK1AA BAYEAAC05LG1AA	Tap 2	Tap 3
BAYEAAC08BK1AA BAYEAAC08LG1AA	Tap 2	Tap 3
BAYEAAC10BK1AA BAYEAAC10LG1AA	Tap 2	Tap 3
BAYEAAC10LG3AA	Tap 2	Tap 3
BAYEABC15BK1AA	Tap 3	Tap 4
BAYEABC15LG3AA	Tap 3	Tap 4
BAYEABC20BK1AA	Tap 3	Tap 4
BAYEACC25BK1AA	Tap 4	Tap 5

**Note:** Heating and cooling speeds are the same, factory set at Speed Tap #4.

**Note:** A "G" only signal from the comfort control will run the blower at a lower speed, factory set at Speed Tap #1. See the Sequence of Operation for additional information.

AIRFLOW PERFORMANCE										
GAM5A0C48M41SA										
EXTERNAL STATIC (in w.g)	AIRFLOW (CFM)									
	Speed Taps - 230 VOLTS					Speed Taps - 208 VOLTS				
	5	4 †	3	2	1	5	4 †	3	2	1
0	1913	1770	1694	1593	866	1910	1767	1691	1590	863
0.1	1874	1730	1653	1547	791	1868	1724	1647	1541	785
0.2	1834	1690	1611	1505	699	1825	1681	1602	1496	690
0.3	1791	1646	1567	1456	620	1780	1635	1556	1445	609
0.4	1748	1600	1521	1410	537	1734	1586	1506	1396	522
0.5	1708	1556	1476	1367	453	1691	1539	1459	1350	437
0.6	1668	1516	1436	1326	370	1648	1496	1416	1306	351
0.7	1629	1475	1394	1283	-	1607	1452	1372	1260	-
0.8	1588	1435	1352	1236	-	1563	1410	1327	1211	-
0.9	1541	1390	1304	1183	-	1513	1362	1276	1156	-

NOTES:  
1. Values are with wet coil and without filters.  
2. Contact your particular filter manufacturer for pressure drop data.  
3. Electric heater pressure drop is negligible and is included within the airflow data.  
4. Tap 1 is an continuous fan speed tap.  
5. † Factory Setting

WIRING DATA											
GAM5A0C48M41SA											
Heater Model No.	No. of Circuits	240 VOLT					208 VOLT				
		Capacity		Heater Amps per Circuit	Minimum Circuit Ampacity	Maximum Overload Protection	Capacity		Heater Amps per Circuit	Minimum Circuit Ampacity	Maximum Overload Protection
		kW	BTUH				kW	BTUH			
No Heater	-	-	-	6.0*	8	15	-	-	6.0*	8	15
BAYEAC05BK1A BAYEAC05LG1A	1	4.80	16400	20.0	33	35	3.60	12300	17.3	29	30
BAYEAC08BK1A BAYEAC08LG1A	1	7.68	26200	32.0	48	50	5.76	19700	27.7	42	45
BAYEAC10BK1A BAYEAC10LG1A	1	9.60	32800	40.0	58	60	7.20	24600	34.6	51	60
BAYEAC10LG3A	1-3 PH	9.60	32800	23.1	36	40	7.20	24600	20.0	32	35
BAYEABC15LG3A	1-3 PH	14.40	49200	34.6	50	50	10.80	36900	30.0	44	45
BAYEABC15BK1A - Circuit 1 ①	2	9.60	32800	40	58	60	7.20	24600	34.6	51	60
BAYEABC15BK1A - Circuit 2		4.80	16400	20	25	25	3.60	12300	17.3	22	25
BAYEABC20BK1A - Circuit 1 ①	2	9.60	32800	40	58	60	7.20	24600	34.6	51	60
BAYEABC20BK1A - Circuit 2		9.60	32800	40	50	50	7.20	24600	34.6	43	45
BAYEACC25BK1A - Circuit 1 ①	3	9.60	32800	40	58	60	7.20	24600	34.6	51	60
BAYEACC25BK1A - Circuit 2		9.60	32800	40	50	50	7.20	24600	34.6	43	45
BAYEACC25BK1A - Circuit 3		4.80	16400	20	25	25	3.60	12300	17.3	22	25

Note: \* Motor Amps  
① MCA and MOP for circuit 1 contains the motor amps

Notes:

1. See Product Data or Air Handler nameplate for approved combinations of Air Handlers and Heaters
2. Heater model numbers may have additional suffix digits.

# Mechanical Specifications

- Unique Cabinet Design
  - Double Wall Foamed and Formed Cabinet System
  - Water Proof Cabinet Design
  - R-4.2 Insulating Value (Avg Insulating Value R-8.2)
  - Composite Foamed Cabinet Doors
  - Sweat Eliminating Cabinet Design
  - Loose Fiber Eliminating Cabinet Design
  - Smooth Cleanable Cabinet Design
  - 2% or Less air leakage
  - Precision Durable Door Seals
  - Modular Cabinet
- Multi-Position UP/Down Flow Horizontal Left /Right
- Phillips head door fasteners
- Side Return Option
- Refrigerant Connect
- Condensate Connect
- Premarked Conduit Connection Locations
- Alert Port to view Codes without door removal
- Vortica® Blower with Integrated Slide Deck for Easy Removal
- Polarized Plug connections on Blower
- Control Protection Pocket
- Aluminum Coil with Integrated Slide Deck for Easy Removal
- Polarized Plug connections on Coil EEV
- Slide in Electric Heaters with polarized plug connections (sold as accessory)
- Polarized Plug connections for Electric Heater
- UVC light kit with safety switch and polarized plug connections (sold as accessory)
- Labeled Panels and connections
- 1 1/4" to 1" And 3/4" to 1/2" Conduit connection on Left, Right and Top
- Molded in 1" Standard Filter rail
- Electronic Expansion Valve (EEV) With Low Ambient and Low Superheat Protection
- Dual Refrigerant Compatible as Shipped
- Low Voltage Terminal Connection Point
- 10 Alert Codes
- Enhanced Coil Fin Patented
- Blow Through Design
- High Efficiency ECM Motor
- Maximum Width of 23.5"
- Compact 20.8" depth with doors removed
- Integrated Horizontal Drain pans
- Soft start fan motor operation
- Built in fan delay modes
- Single Color
- Fused 24V Power
- Safety Door Switch
- **5 year warranty**
- **10-year warranty registered**
- **Optional extended warranty available**



**Trane**  
6200 Troup Highway  
Tyler, TX 75707

The manufacturer has a policy of continuous product and product data improvement and it reserves the right to change design and specification without notice.