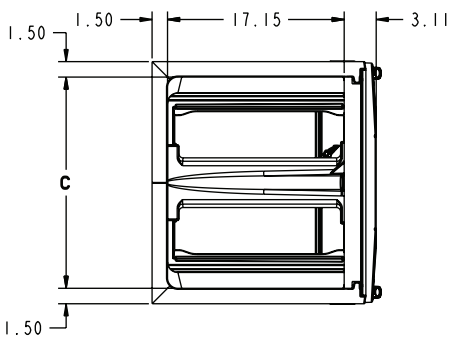
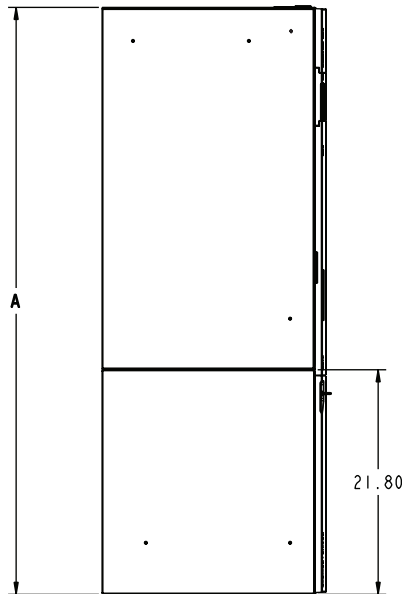
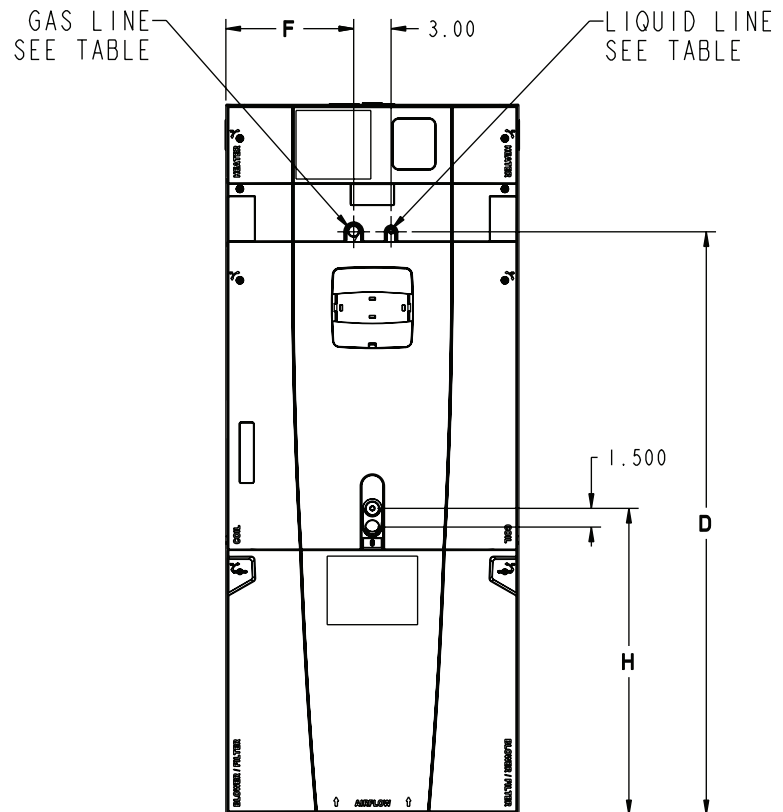
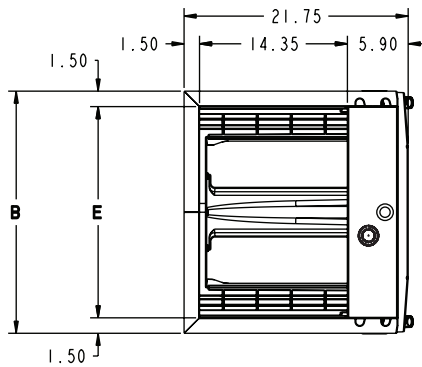


TAG: _____

Submittal

3 Ton Convertible Air Handler GAM5A0B36M31SA



MINIMUM UNIT CLEARANCE TABLE		
	TO COMBUSTIBLE MATERIAL (REQUIRED)	SERVICE CLEARANCE (RECOMMENDED)
SIDES	0"	2"
FRONT	0"	21"
BACK	0"	0"
INLET DUCT	0"	
OUTLET DUCT	0"	

MODEL NO.	A	B	C	D	E	F	H	Flow Control	R-410A Gas Line BRAZE	R-410A Liq. Line BRAZE
GAM5A0B36	55.7	21.3	18.4	45.5	18.4	9.2	24.8	EEV	7/8	3/8

PRODUCT SPECIFICATIONS

PRODUCT SPECIFICATIONS

MODEL	GAM5A0B36M31SA
RATED VOLTS/PH/HZ.	208-230/1/60
RATINGS ①	See O.D. Specifications
INDOOR COIL — Type	Plate Fin
Rows — F.P.I.	3 - 14
Face Area (sq. ft.)	5.04
Tube Size (in.)	3/8
Refrigerant Control	EEV
Drain Conn. Size (in.) ②	3/4 NPT
DUCT CONNECTIONS	See Outline Drawing
INDOOR FAN — Type	Centrifugal
Diameter-Width (In.)	11 X 10
No. Used	1
Drive - No. Speeds	Direct - 5
CFM vs. in. w.g.	See Fan Performance Table
No. Motors — H.P.	1 - 1/2
Motor Speed R.P.M.	1050
Volts/Ph/Hz	208-230/1/60
F.L. Amps	4.1
FILTER	
Filter Furnished?	No
Type Recommended	Throwaway
No.-Size-Thickness	1 - 20 X 20 - 1 in.
REFRIGERANT	R-410A
Ref. Line Connections	Brazed
Coupling or Conn. Size — in. Gas	7/8
Coupling or Conn. Size — in. Liq.	3/8
DIMENSIONS	H x W x D
Crated (In.)	57-1/4 x 24-1/4 x 25-3/4
Uncrated	55-3/4 x 21-1/4 x 21-3/4
WEIGHT	
Shipping (Lbs.)/Net (Lbs.)	150/142

① These Air Handlers are A.H.R.I. certified with various Split System Air Conditioners and Heat Pumps (AHRI STANDARD 210/240). Refer to the Split System Outdoor Unit Product Data Guides for performance data.

② 3/4" Male Plastic Pipe (Ref.: ASTM 1785-76)



GAM5A0B36M31SA MINIMUM HEATER AIRFLOW CFM		
Heater	Minimum Air Speed Tap	
	Without HP	With HP
BAYE AAC05BK1AA BAYE AAC05LG1AA	Tap 2	Tap 3
BAYE AAC08BK1AA BAYE AAC08LG1AA	Tap 3	Tap 4
BAYE AAC10BK1AA BAYE AAC10LG1AA	Tap 4	Tap 5
BAYE AAC10LG3AA	Tap 4	Tap 5
BAYE ABC15BK1AA	Tap 4	Tap 5
BAYE ABC15LG3AA	Tap 4	Tap 5
BAYE ABC20BK1AA	-	-
BAYE ACC25BK1AA	-	-

Note: Heating and cooling speeds are the same, factory set at Speed Tap #4.

Note: A "G" only signal from the comfort control will run the blower at a lower speed, factory set at Speed Tap #1. See the Sequence of Operation for additional information.

AIRFLOW PERFORMANCE										
GAM5A0B36M31SA										
EXTERNAL STATIC (in w.g)	AIRFLOW (CFM)									
	Speed Taps - 230 VOLTS					Speed Taps - 208 VOLTS				
	5	4 †	3	2	1	5	4 †	3	2	1
0	1438	1387	1197	1013	732	1435	1383	1194	1009	729
0.1	1394	1340	1143	945	552	1388	1334	1137	939	546
0.2	1350	1299	1090	892	413	1341	1291	1082	884	404
0.3	1301	1245	1031	817	305	1289	1233	1019	806	293
0.4	1253	1197	975	751	209	1239	1183	960	737	195
0.5	1205	1151	917	651	-	1188	1134	900	634	-
0.6	1155	1094	837	578	-	1136	1075	817	559	-
0.7	1099	1032	766	499	-	1077	1010	744	476	-
0.8	1039	972	691	453	-	1014	946	666	-	-
0.9	964	889	633	409	-	936	861	605	-	-

NOTES:

1. Values are with wet coil and without filters.
2. Contact your particular filter manufacturer for pressure drop data.
3. Electric heater pressure drop is negligible and is included within the airflow data.
4. Tap 1 is an continuous fan speed tap.
5. † Factory Setting

WIRING DATA											
GAM5A0B36M31SA											
Heater Model No.	No. of Circuits	240 VOLT					208 VOLT				
		Capacity		Heater Amps per Circuit	Minimum Circuit Ampacity	Maximum Overload Protection	Capacity		Heater Amps per Circuit	Minimum Circuit Ampacity	Maximum Overload Protection
		kW	BTUH				kW	BTUH			
No Heater	-	-	-	4.1*	5	15	-	-	4.1*	5	15
BAYEAC05BK1A BAYEAC05LG1A	1	4.80	16400	20.0	30	30	3.60	12300	17.3	27	30
BAYEAC08BK1A BAYEAC08LG1A	1	7.68	26200	32.0	45	45	5.76	19700	27.7	40	40
BAYEAC10BK1A BAYEAC10LG1A	1	9.60	32800	40.0	55	60	7.20	24600	34.6	48	50
BAYEAC10LG3A	1-3 PH	9.60	32800	23.1	33	35	7.20	24600	20.0	30	30
BAYEABC15LG3A	1-3 PH	14.40	49200	34.6	48	50	10.80	36900	30.0	42	45
BAYEABC15BK1A - Circuit 1 ①	2	9.60	32800	40	55	60	7.20	24600	34.6	48	50
BAYEABC15BK1A - Circuit 2		4.80	16400	20	25	25	3.60	12300	17.3	22	25

Note: * Motor Amps
 ① MCA and MOP for circuit 1 contains the motor amps

Notes:

1. See Product Data or Air Handler nameplate for approved combinations of Air Handlers and Heaters
2. Heater model numbers may have additional suffix digits.

Mechanical Specifications

- Unique Cabinet Design
 - Double Wall Foamed and Formed Cabinet System
 - Water Proof Cabinet Design
 - R-4.2 Insulating Value (Avg Insulating Value R-8.2)
 - Composite Foamed Cabinet Doors
 - Sweat Eliminating Cabinet Design
 - Loose Fiber Eliminating Cabinet Design
 - Smooth Cleanable Cabinet Design
 - 2% or Less air leakage
 - Precision Durable Door Seals
 - Modular Cabinet
- Multi-Position UP/Down Flow Horizontal Left /Right
- Phillips head door fasteners
- Side Return Option
- Refrigerant Connect
- Condensate Connect
- Premarked Conduit Connection Locations
- Alert Port to view Codes without door removal
- Vortica® Blower with Integrated Slide Deck for Easy Removal
- Polarized Plug connections on Blower
- Control Protection Pocket
- Aluminum Coil with Integrated Slide Deck for Easy Removal
- Polarized Plug connections on Coil EEV
- Slide in Electric Heaters with polarized plug connections (sold as accessory)
- Polarized Plug connections for Electric Heater
- UVC light kit with safety switch and polarized plug connections (sold as accessory)
- Labeled Panels and connections
- 1 1/4" to 1" And 3/4" to 1/2" Conduit connection on Left, Right and Top
- Molded in 1" Standard Filter rail
- Electronic Expansion Valve (EEV) With Low Ambient and Low Superheat Protection
- Dual Refrigerant Compatible as Shipped
- Low Voltage Terminal Connection Point
- 10 Alert Codes
- Enhanced Coil Fin Patented
- Blow Through Design
- High Efficiency ECM Motor
- Maximum Width of 23.5"
- Compact 20.8" depth with doors removed
- Integrated Horizontal Drain pans
- Soft start fan motor operation
- Built in fan delay modes
- Single Color
- Fused 24V Power
- Safety Door Switch
- **5 year warranty**
- **10-year warranty registered**
- **Optional extended warranty available**



Trane
6200 Troup Highway
Tyler, TX 75707

The manufacturer has a policy of continuous product and product data improvement and it reserves the right to change design and specification without notice.