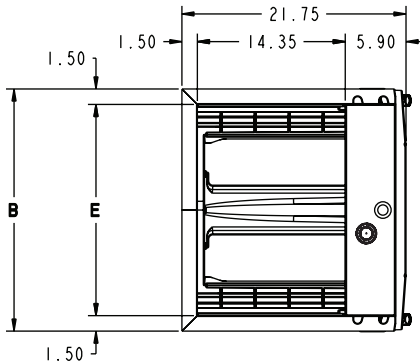


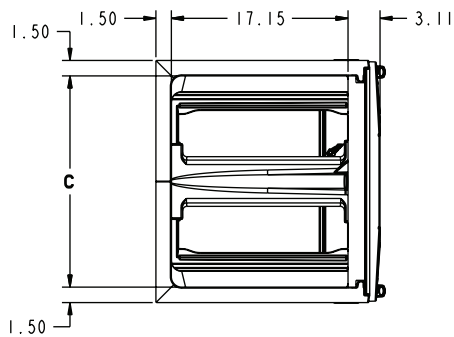
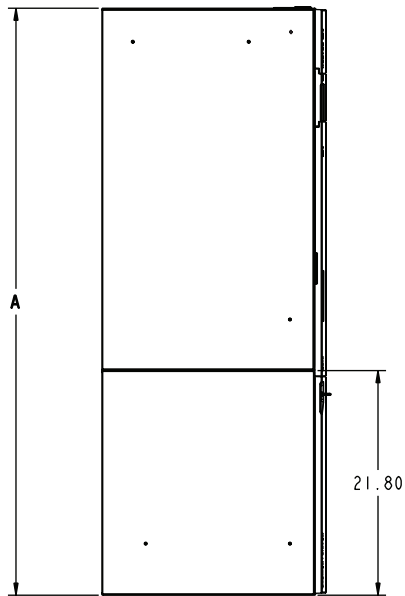
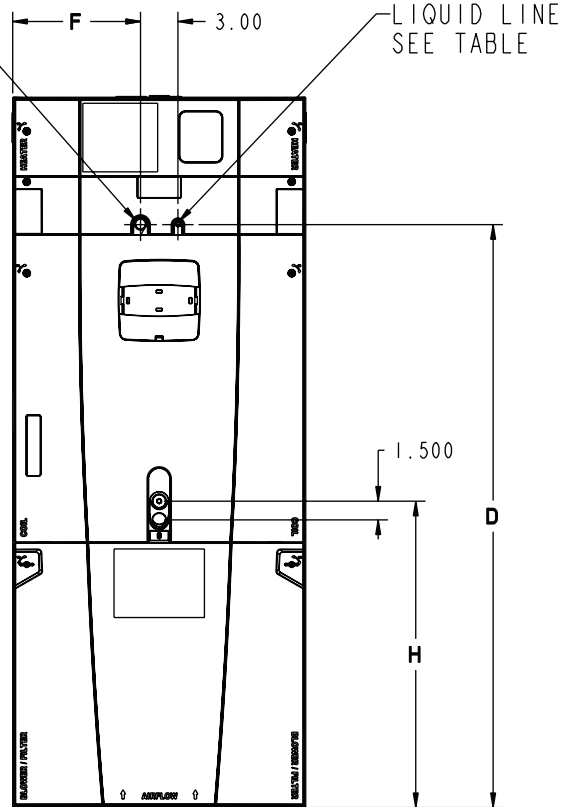
TAG: \_\_\_\_\_

# Submittal

## 2-1/2 Ton Convertible Air Handler GAM5A0B30M21SA



GAS LINE SEE TABLE      LIQUID LINE SEE TABLE



	TO COMBUSTIBLE MATERIAL (REQUIRED)	SERVICE CLEARANCE (RECOMMENDED)
SIDES	0"	2"
FRONT	0"	21"
BACK	0"	0"
INLET DUCT	0"	
OUTLET DUCT	0"	

MODEL NO.	A	B	C	D	E	F	H	Flow Control	R-410A Gas Line BRAZE	R-410A Liq. Line BRAZE
GAM5A0B30	51.5	21.3	18.4	41.2	18.4	9.2	24.8	EEV	3/4	3/8

## PRODUCT SPECIFICATIONS

### PRODUCT SPECIFICATIONS

<b>MODEL</b>	<b>GAM5A0B30M21SA</b>
<b>RATED VOLTS/PH/HZ.</b>	208-230/1/60
<b>RATINGS</b> ①	See O.D. Specifications
<b>INDOOR COIL — Type</b>	Plate Fin
Rows — F.P.I.	3 - 14
Face Area (sq. ft.)	4.13
Tube Size (in.)	3/8
Refrigerant Control	EEV
Drain Conn. Size (in.) ②	3/4 NPT
<b>DUCT CONNECTIONS</b>	See Outline Drawing
<b>INDOOR FAN — Type</b>	Centrifugal
Diameter-Width (In.)	11 X 10
No. Used	1
Drive - No. Speeds	Direct - 5
CFM vs. in. w.g.	See Fan Performance Table
No. Motors — H.P.	1 - 1/3
Motor Speed R.P.M.	1050
Volts/Ph/Hz	208-230/1/60
F.L. Amps	2.8
<b>FILTER</b>	
Filter Furnished?	No
Type Recommended	Throwaway
No.-Size-Thickness	1 - 20 X 20 - 1 in.
<b>REFRIGERANT</b>	<b>R-410A</b>
Ref. Line Connections	Brazed
Coupling or Conn. Size — in. Gas	3/4
Coupling or Conn. Size — in. Liq.	3/8
<b>DIMENSIONS</b>	H x W x D
Crated (In.)	53 x 24-1/4 x 25-3/4
Uncrated	51-1/2 x 21-1/4 x 21-3/4
<b>WEIGHT</b>	
Shipping (Lbs.)/Net (Lbs.)	140/132

① These Air Handlers are A.H.R.I. certified with various Split System Air Conditioners and Heat Pumps (AHRI STANDARD 210/240). Refer to the Split System Outdoor Unit Product Data Guides for performance data.

② 3/4" Male Plastic Pipe (Ref.: ASTM 1785-76)



GAM5A0B30M21SA MINIMUM HEATER AIRFLOW CFM		
Heater	Minimum Air Speed Tap	
	Without HP	With HP
BAYEAC05BK1AA BAYEAC05LG1AA	Tap 2	Tap 3
BAYEAC08BK1AA BAYEAC08LG1AA	Tap 3	Tap 4
BAYEAC10BK1AA BAYEAC10LG1AA	Tap 3	Tap 4
BAYEAC10LG3AA	Tap 3 ①	Tap 4 ①
BAYEABC15BK1AA	Tap 4	Tap 5
BAYEABC15LG3AA	Tap 4	Tap 5
BAYEABC20BK1AA	-	-
BAYEACC25BK1AA	-	-

① 208 V not approved for upflow installations

**Note:** Heating and cooling speeds are the same, factory set at Speed Tap #4.

**Note:** A "G" only signal from the comfort control will run the blower at a lower speed, factory set at Speed Tap #1. See the Sequence of Operation for additional information.

AIRFLOW PERFORMANCE										
GAM5A0B30M21SA										
EXTERNAL STATIC (in w.g)	AIRFLOW (CFM)									
	Speed Taps - 230 VOLTS					Speed Taps - 208 VOLTS				
	5	4 †	3	2	1	5	4 †	3	2	1
0	1282	1150	979	856	678	1279	1146	976	853	675
0.1	1238	1094	931	797	482	1232	1088	925	791	476
0.2	1186	1047	863	725	285	1177	1039	854	716	276
0.3	1141	986	803	647	88	1130	975	791	636	77
0.4	1091	935	721	555	-	1076	921	707	540	-
0.5	1033	866	649	461	-	1016	849	632	444	-
0.6	977	799	554	388	-	958	779	534	369	-
0.7	914	732	490	318	-	892	710	468	296	-
0.8	846	646	429	-	-	821	621	404	-	-
0.9	771	587	376	-	-	743	560	348	-	-

NOTES:  
1. Values are with wet coil and without filters.  
2. Contact your particular filter manufacturer for pressure drop data.  
3. Electric heater pressure drop is negligible and is included within the airflow data.  
4. Tap 1 is an continuous fan speed tap.  
5. † Factory Setting

WIRING DATA											
GAM5A0B30M21SA											
Heater Model No.	No. of Circuits	240 VOLT					208 VOLT				
		Capacity		Heater Amps per Circuit	Minimum Circuit Ampacity	Maximum Overload Protection	Capacity		Heater Amps per Circuit	Minimum Circuit Ampacity	Maximum Overload Protection
		kW	BTUH				kW	BTUH			
No Heater	-	-	-	2.8*	4	15	-	-	2.8*	4	15
BAYEAAC05BK1A BAYEAAC05LG1A	1	4.80	16400	20.0	29	30	3.60	12300	17.3	25	25
BAYEAAC08BK1A BAYEAAC08LG1A	1	7.68	26200	32.0	44	45	5.76	19700	27.7	38	40
BAYEAAC10BK1A BAYEAAC10LG1A	1	9.60	32800	40.0	54	60	7.20	24600	34.6	47	50
BAYEAAC10LG3A	1-3 PH	9.60	32800	23.1	32	35	7.20	24600	20.0	28	30
BAYEABC15LG3A ①	1-3 PH	14.40	49200	34.6	46	50	10.80	36900	30.0	41	45
BAYEABC15BK1A - Circuit 1 ②	2	9.60	32800	40	54	60	7.20	24600	34.6	47	50
BAYEABC15BK1A - Circuit 2		4.80	16400	20	25	25	3.60	12300	17.3	22	25

Note: \* Motor Amps  
① 208 V not approved for upflow installations  
② MCA and MOP for circuit 1 contains the motor amps

Notes:

1. See Product Data or Air Handler nameplate for approved combinations of Air Handlers and Heaters
2. Heater model numbers may have additional suffix digits.

# Mechanical Specifications

- Unique Cabinet Design
  - Double Wall Foamed and Formed Cabinet System
  - Water Proof Cabinet Design
  - R-4.2 Insulating Value (Avg Insulating Value R-8.2)
  - Composite Foamed Cabinet Doors
  - Sweat Eliminating Cabinet Design
  - Loose Fiber Eliminating Cabinet Design
  - Smooth Cleanable Cabinet Design
  - 2% or Less air leakage
  - Precision Durable Door Seals
  - Modular Cabinet
- Multi-Position UP/Down Flow Horizontal Left /Right
- Phillips head door fasteners
- Side Return Option
- Refrigerant Connect
- Condensate Connect
- Premarked Conduit Connection Locations
- Alert Port to view Codes without door removal
- Vortica® Blower with Integrated Slide Deck for Easy Removal
- Polarized Plug connections on Blower
- Control Protection Pocket
- Aluminum Coil with Integrated Slide Deck for Easy Removal
- Polarized Plug connections on Coil EEV
- Slide in Electric Heaters with polarized plug connections (sold as accessory)
- Polarized Plug connections for Electric Heater
- UVC light kit with safety switch and polarized plug connections (sold as accessory)
- Labeled Panels and connections
- 1 1/4" to 1" And 3/4" to 1/2" Conduit connection on Left, Right and Top
- Molded in 1" Standard Filter rail
- Electronic Expansion Valve (EEV) With Low Ambient and Low Superheat Protection
- Dual Refrigerant Compatible as Shipped
- Low Voltage Terminal Connection Point
- 10 Alert Codes
- Enhanced Coil Fin Patented
- Blow Through Design
- High Efficiency ECM Motor
- Maximum Width of 23.5"
- Compact 20.8" depth with doors removed
- Integrated Horizontal Drain pans
- Soft start fan motor operation
- Built in fan delay modes
- Single Color
- Fused 24V Power
- Safety Door Switch

- **5 year warranty**
- **10-year warranty registered**
- **Optional extended warranty available**



## Trane

6200 Troup Highway  
Tyler, TX 75707

The manufacturer has a policy of continuous product and product data improvement and it reserves the right to change design and specification without notice.