

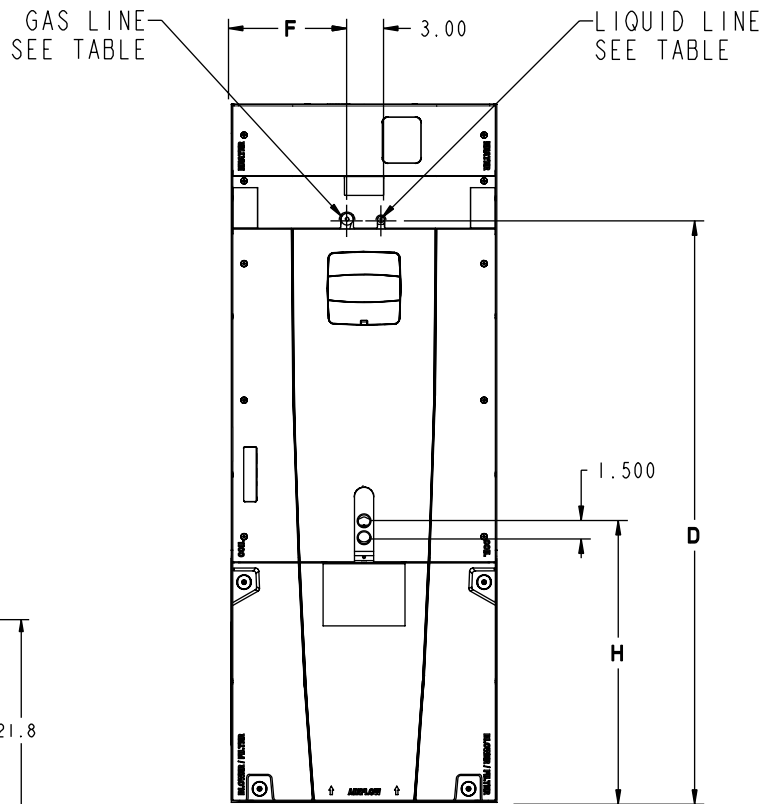
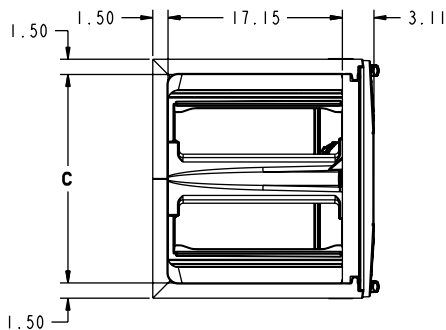
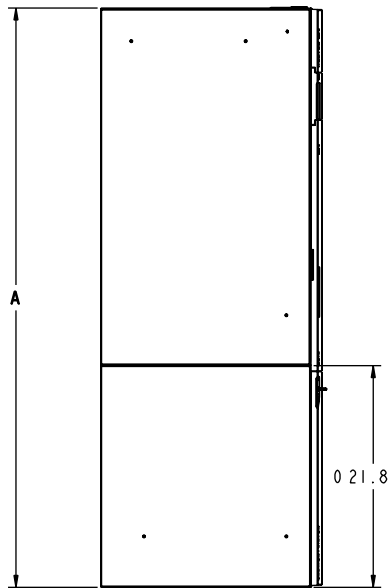
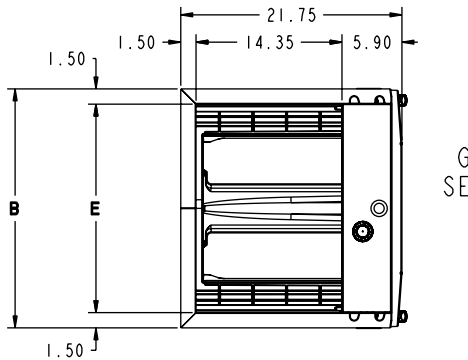


TAG: _____

Submittal

5 Ton Convertible Air Handler GAM2A0C60S51SE

Note: 14th digit may be A-E



MINIMUM UNIT CLEARANCE TABLE		
	TO COMBUSTIBLE MATERIAL (REQUIRED)	SERVICE CLEARANCE (RECOMMENDED)
SIDES	0"	2"
FRONT	0"	21"
BACK	0"	0"
INLET DUCT	0"	
OUTLET DUCT	0"	

MODEL NO.	A	B	C	D	E	F	H	FLOW CONTROL	GAS LINE BRAZE
GAM2A0C60	61.7	51.5	20.5	23.5	20.5	10.3	27.0	TXV	7/8

PRODUCT SPECIFICATIONS

MODEL	GAM2A0C60S51SE
RATED VOLTS/PH/HZ.	208-230/1/60
RATINGS ①	See O.D. Specifications
INDOOR COIL — Type	Plate Fin
Rows — F.P.I.	4 - 14
Face Area (sq. ft.)	5.50
Tube Size (in.)	3/8
Refrigerant Control	TXV
Drain Conn. Size (in.) ②	3/4 NPT
DUCT CONNECTIONS	See Outline Drawing
INDOOR FAN — Type	Centrifugal
Diameter-Width (In.)	11 X 10
No. Used	1
Drive - No. Speeds	Direct - 5 ③
CFM vs. in. w.g.	See Fan Performance Table
No. Motors — H.P.	1 - 1
Motor Speed R.P.M.	1050
Volts/Ph/Hz	208-230/1/60
F.L. Amps - L.R. Amps	7.6
FILTER	
Filter Furnished?	No
Type Recommended	Throwaway
No.-Size-Thickness	1 - 22 X 20 - 1 in.
REFRIGERANT	R-410A
Ref. Line Connections	Brazed
Coupling or Conn. Size — in. Gas	7/8
Coupling or Conn. Size — in. Liq.	3/8
DIMENSIONS	H x W x D
Crated (In.)	62-13/16 x 25-1/2 x 24-1/2
Uncrated	61-23/32 x 23-1/2 x 21-13/16
WEIGHT	
Shipping (Lbs.)/Net (Lbs.)	171/159

① These Air Handlers are A.H.R.I. certified with various Split System Air Conditioners and Heat Pumps (AHRI STANDARD 210/240). Refer to the Split System Outdoor Unit Product Data Guides for performance data.

② 3/4" Male Plastic Pipe (Ref.: ASTM 1785-76)

③ Constant torque motor

Note: 14th digit may be A-E



GAM2A0C60S51S MINIMUM HEATER AIRFLOW CFM		
Heater	Minimum Air Speed Tap	
	With Heat Pump	Without Heat Pump
BAYEAC04BK1AA BAYEAC04LG1AA	Tap 2	Tap 2
BAYEAC05BK1AA BAYEAC05LG1AA	Tap 2	Tap 2
BAYEAC08BK1AA BAYEAC08LG1AA	Tap 3	Tap 2
BAYEAC10BK1AA BAYEAC10LG1AA	Tap 3	Tap 2
BAYEAC10LG3AA	Tap 1	Tap 1
BAYEABC15BK1AA	Tap 4	Tap 3
BAYEABC15LG3AA	Tap 1	Tap 1
BAYEABC20BK1AA	Tap 4	Tap 3
BAYEACC25BK1AA	Tap 5	Tap 4
SEE AIR HANDLER NAMEPLATE OR PRODUCT DATA FOR EXCEPTIONS		

Note: Heating and cooling speeds are the same, factory set at Speed Tap #2.

AIRFLOW PERFORMANCE										
GAM2A0C60S51SE										
EXTERNAL STATIC (in w.g)	AIRFLOW (CFM)									
	Speed Taps - 230 VOLTS					Speed Taps - 208 VOLTS				
	5	4 †	3	2	1	5	4 †	3	2	1
0	2169	1956	1874	1739	1633	2165	2033	1871	1736	1629
0.1	2161	1916	1839	1696	1588	2155	1990	1833	1690	1582
0.2	2130	1889	1803	1667	1554	2121	1961	1795	1659	1545
0.3	2102	1850	1774	1628	1523	2090	1919	1763	1617	1511
0.4	2066	1818	1741	1596	1491	2052	1884	1727	1582	1477
0.5	2015	1785	1707	1564	1457	1998	1848	1690	1547	1440
0.6	1959	1754	1673	1520	1408	1939	1814	1653	1500	1389
0.7	1888	1716	1638	1477	1372	1880	1774	1615	1455	1349
0.8	1811	1680	1605	1440	1323	1820	1735	1580	1415	1298
0.9	1750	1628	1561	1403	1291	1770	1680	1533	1376	1263
1.0	1680	1604	1533	1368	1256	1725	1654	1503	1337	1226

NOTES:

1. Values are with wet coil and without filters.
2. Contact your particular filter manufacturer for pressure drop data.
3. Electric heater pressure drop is negligible and is included within the airflow data.
4. † Factory Setting

WIRING DATA											
GAM2A0C60S51S											
Heater Model No.	No. of Circuits	240 VOLT					208 VOLT				
		Capacity		Heater Amps per Circuit	Minimum Circuit Ampacity	Maximum Overload Protection	Capacity		Heater Amps per Circuit	Minimum Circuit Ampacity	Maximum Overload Protection
		kW	BTUH				kW	BTUH			
No Heater	-	-	-	7.6**	10	15	-	-	7.6**	10	15
BAYEAAC04++	1	3.84	13100	16	30	30	2.88	9800	13.80	27	30
BAYEAAC05++	1	4.80	16400	20.0	35	35	3.60	12300	17.3	31	35
BAYEAAC08++	1	7.68	26200	32.0	50	50	5.76	19700	27.7	44	45
BAYEAAC10++	1	9.60	32800	40.0	60	60	7.20	24600	34.6	53	60
BAYEAAC10LG3	1-3PH	9.60	32800	23.1	37	40	7.20	24600	20.0	34	35
BAYEABC15LG3	1-3PH	14.40	49200	34.6	52	60	10.80	36900	30.0	46	50
BAYEABC15++	2										
circuit 1		9.60	32800	40.0	60	60	7.20	24600	34.6	53	60
circuit 2		4.80	16400	20.0	25	25	3.60	12300	17.3	22	25
BAYEABC20++	2										
circuit 1		9.60	32800	40.0	60	60	7.20	24600	34.6	53	60
circuit 2		9.60	32800	40.0	50	50	7.20	24600	34.6	43	45
BAYEABC25++	3										
circuit 1		9.60	32800	40.0	60	60	7.20	24600	34.6	53	60
circuit 2		9.60	32800	40.0	50	50	7.20	24600	34.6	43	45
circuit 3		4.80	16400	20.0	25	25	3.60	12300	17.3	22	25

Note: ** Motor Amps

Notes:

1. See Product Data or Air Handler nameplate for approved combinations of Air Handlers and Heaters
2. Heater model numbers may have additional suffix digits.

Mechanical Specifications

- Unique Cabinet Design
 - Double Wall Foamed and Formed Cabinet System
 - Water Proof Cabinet Design
 - > R-4.2 Insulating Value (Avg Insulating Value R-8.2)
 - Composite Foamed Cabinet Doors
 - Sweat Eliminating Cabinet Design
 - Loose Fiber Eliminating Cabinet Design
 - Smooth Cleanable Cabinet Design
 - 2% or Less air leakage
 - Precision Applied Durable Door Seals
 - Tool-free Fasteners on Blower/Filter Door
 - Modular Cabinet
- Multi-Position UP/Down Flow Horizontal Left /Right
- Side Return Option
- Braze in Refrigerant Connection
- Primary/Secondary Condensate Connections
- Premarked Conduit Connection Locations
- Vortica™ Blower with Integrated Slide Deck for Easy Removal
- Polarized Plug connections on Blower
- Aluminum Coil with Integrated Slide Deck for Easy Removal
- Slide in Electric Heaters
- Polarized Plug connections for Electric Heater
- Labeled Panels and connections
- 1-1/4" to 1" And 3/4" to 1/2" Conduit connection on Left, Right and Top
- Molded in 1" Standard Filter rail
- R-410A Thermal Expansion Valve (TXV)
- Convertible to R-22 using optional accessory TXV conversion kit.
- Low Voltage Terminal Connection Point
- Enhanced Coil Fin Patented
- Blow Through Design
- PSC 3 Speed Motor (1-1/2 to 4 ton)
- High Efficiency ECM Motor (5 ton)
- Maximum Width of 23.5"
- Compact 20.8" depth with doors removed
- Integrated Horizontal Drain pans
- Single Color
- Fused 24V Power
- Safety Door Switch
- **5 year warranty**
- **10-year warranty registered**
- **Optional extended warranty available**



Trane

6200 Troup Highway
Tyler, TX 75707

The manufacturer has a policy of continuous product and product data improvement and it reserves the right to change design and specification without notice.