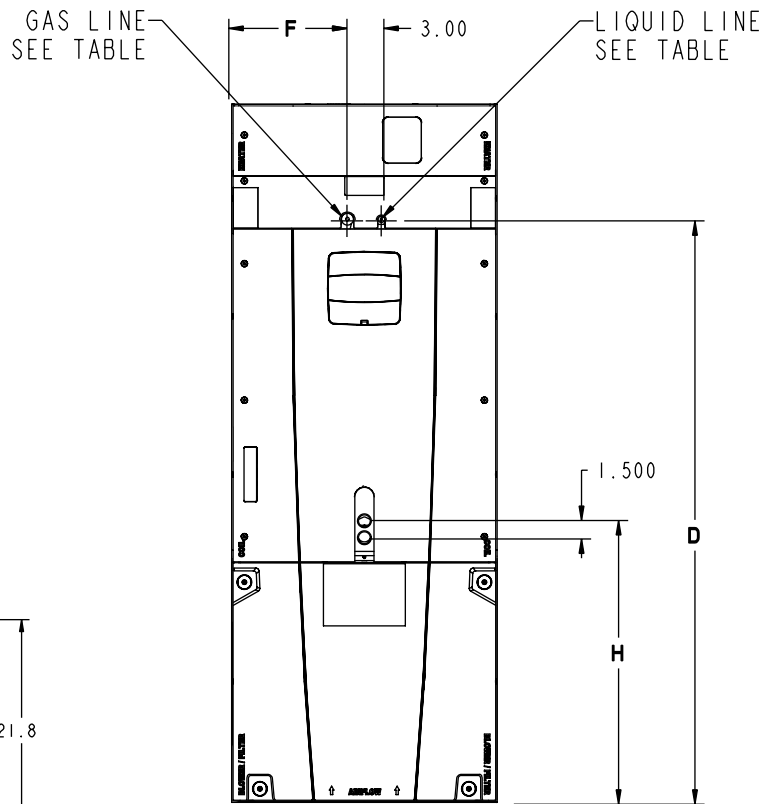
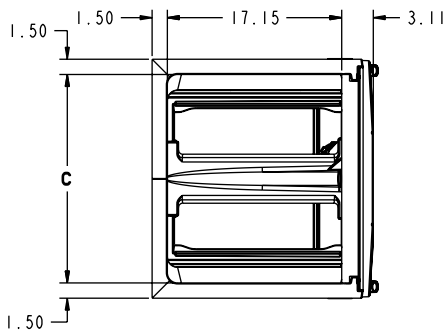
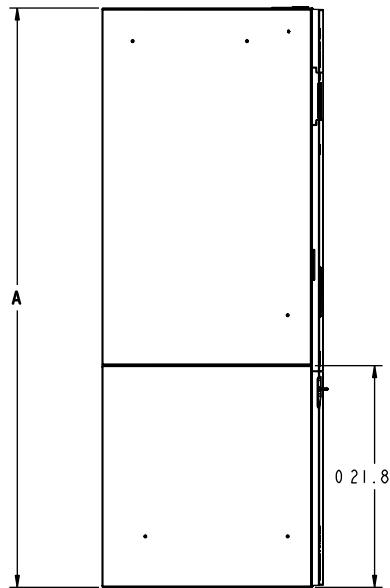
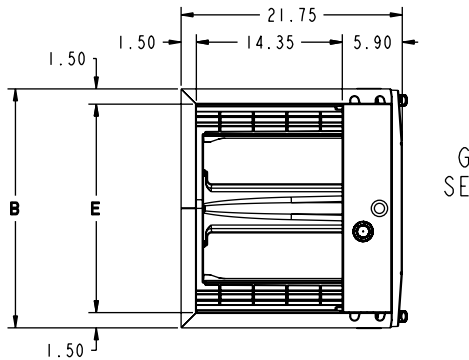


TAG: _____

Submittal

3-1/2 Ton Convertible Air Handler GAM2A0B42S31SE

Note: 14th digit may be A-E



MINIMUM UNIT CLEARANCE TABLE		
	TO COMBUSTIBLE MATERIAL (REQUIRED)	SERVICE CLEARANCE (RECOMMENDED)
SIDES	0"	2"
FRONT	0"	21"
BACK	0"	0"
INLET DUCT	0"	
OUTLET DUCT	0"	

MODEL NO.	A	B	C	D	E	F	H	FLOW CONTROL	GAS LINE BRAZE
GAM2A0B42	55.7	45.5	18.4	21.3	18.4	9.2	24.8	TXV	7/8

PRODUCT SPECIFICATIONS

MODEL	GAM2A0B42S31SE
RATED VOLTS/PH/HZ.	208-230/1/60
RATINGS ①	See O.D. Specifications
INDOOR COIL — Type	Plate Fin
Rows — F.P.I.	3 - 14
Face Area (sq. ft.)	5.04
Tube Size (in.)	3/8
Refrigerant Control	TXV
Drain Conn. Size (in.) ②	3/4 NPT
DUCT CONNECTIONS	See Outline Drawing
INDOOR FAN — Type	Centrifugal
Diameter-Width (In.)	10 X 10
No. Used	1
Drive - No. Speeds	Direct - 3
CFM vs. in. w.g.	See Fan Performance Table
No. Motors — H.P.	1 - 1/2
Motor Speed R.P.M.	1075
Volts/Ph/Hz	208-230/1/60
F.L. Amps - L.R. Amps	2.7 - 5.0
FILTER	
Filter Furnished?	No
Type Recommended	Throwaway
No.-Size-Thickness	1 - 20 X 20 - 1 in.
REFRIGERANT	R-410A
Ref. Line Connections	Brazed
Coupling or Conn. Size — in. Gas	7/8
Coupling or Conn. Size — in. Liq.	3/8
DIMENSIONS	H x W x D
Crated (In.)	56-13/16 x 23-1/2 x 24-1/2
Uncrated	55-23/32 x 21-5/16 x 21-13/16
WEIGHT	
Shipping (Lbs.)/Net (Lbs.)	144/133

① These Air Handlers are A.H.R.I. certified with various Split System Air Conditioners and Heat Pumps (AHRI STANDARD 210/240). Refer to the Split System Outdoor Unit Product Data Guides for performance data.

② 3/4" Male Plastic Pipe (Ref.: ASTM 1785-76)

Note: 14th digit may be A-E



GAM2A0B42S31S MINIMUM HEATER AIRFLOW CFM		
Heater	Minimum Air Speed Tap	
	With Heat Pump	Without Heat Pump
BAYEAAAC04BK1AA BAYEAAAC04LG1AA	Tap 1	Tap 1
BAYEAAAC05BK1AA BAYEAAAC05LG1AA	Tap 1	Tap 1
BAYEAAAC08BK1AA BAYEAAAC08LG1AA	Tap 1	Tap 1
BAYEAAAC10BK1AA BAYEAAAC10LG1AA	Tap 1	Tap 1
BAYEAAAC10LG3AA	Tap 1	Tap 1
BAYEABC15BK1AA	Tap 1	Tap 1
BAYEABC15LG3AA	Tap 3 ①	Tap 1 ①
BAYEABC20BK1AA	Tap 3	Tap 1

SEE AIR HANDLER NAMEPLATE OR PRODUCT DATA FOR EXCEPTIONS

① Heater not qualified for 240V in downflow installations

Note: Heating and cooling speeds are the same, factory set at Speed Tap #2.

AIRFLOW PERFORMANCE						
GAM2A0B42S31SE						
EXTERNAL STATIC (in w.g)	AIRFLOW (CFM)					
	Speed Taps - 230 VOLTS			Speed Taps - 208 VOLTS		
	3	2 †	1	3	2 †	1
0	1646	1495	1358	1522	1298	1138
0.1	1599	1464	1335	1489	1285	1137
0.2	1546	1421	1313	1449	1260	1120
0.3	1488	1380	1280	1401	1233	1099
0.4	1425	1329	1233	1348	1193	1065
0.5	1353	1264	1178	1281	1140	1023
0.6	1259	1182	1108	1202	1075	958
0.7	1145	1081	995	1102	965	868
0.8	982	909	839	926	817	753
0.9	788	759	731	761	713	N/A
1.0	563	N/A	N/A	538	N/A	N/A

NOTES:
1. Values are with wet coil and without filters.
2. Contact your particular filter manufacturer for pressure drop data.
3. Electric heater pressure drop is negligible and is included within the airflow data.
4. † Factory Setting

WIRING DATA											
GAM2A0B42S31S											
Heater Model No.	No. of Circuits	240 VOLT					208 VOLT				
		Capacity		Heater Amps per Circuit	Minimum Circuit Ampacity	Maximum Overload Protection	Capacity		Heater Amps per Circuit	Minimum Circuit Ampacity	Maximum Overload Protection
		kW	BTUH				kW	BTUH			
No Heater	-	-	-	2.7**	3	15	-	-	2.7**	3	15
BAYEAAC04++1	1	3.84	13100	16	23	25	2.88	9800	13.80	21	25
BAYEAAC05++1	1	4.80	16400	20	28	30	3.60	12300	17.3	25	25
BAYEAAC08++1	1	7.68	26200	32	43	45	5.76	19700	27.7	38	40
BAYEAAC10++1	1	9.60	32800	40	53	60	7.20	24600	34.6	47	50
BAYEAAC10LG3	1-3PH	9.60	32800	23.1	32	35	7.20	24600	20.0	28	30
BAYEABC15LG3①	1-3PH	14.40	49200	34.6	46	50	10.80	36900	30.0	40	40
BAYEABC15++1	2										
circuit 1		9.60	32800	40	53	60	7.20	24600	34.6	47	50
circuit 2		4.80	16400	20	25	25	3.60	12300	17.3	22	25
BAYEABC20++1	2										
circuit 1		9.60	32800	40	53	60	7.20	24600	34.6	53	60
circuit 2		9.60	32800	40	50	50	7.20	24600	34.6	43	45

Note: ** Motor Amps
① Heater not qualified for 240V in downflow installations

Notes:

1. See Product Data or Air Handler nameplate for approved combinations of Air Handlers and Heaters
2. Heater model numbers may have additional suffix digits.

Mechanical Specifications

- Unique Cabinet Design
 - Double Wall Foamed and Formed Cabinet System
 - Water Proof Cabinet Design
 - > R-4.2 Insulating Value (Avg Insulating Value R-8.2)
 - Composite Foamed Cabinet Doors
 - Sweat Eliminating Cabinet Design
 - Loose Fiber Eliminating Cabinet Design
 - Smooth Cleanable Cabinet Design
 - 2% or Less air leakage
 - Precision Applied Durable Door Seals
 - Tool-free Fasteners on Blower/Filter Door
 - Modular Cabinet
- Multi-Position UP/Down Flow Horizontal Left /Right
- Side Return Option
- Braze in Refrigerant Connection
- Primary/Secondary Condensate Connections
- Premarked Conduit Connection Locations
- Vortica™ Blower with Integrated Slide Deck for Easy Removal
- Polarized Plug connections on Blower
- Aluminum Coil with Integrated Slide Deck for Easy Removal
- Slide in Electric Heaters
- Polarized Plug connections for Electric Heater
- Labeled Panels and connections
- 1-1/4" to 1" And 3/4" to 1/2" Conduit connection on Left, Right and Top
- Molded in 1" Standard Filter rail
- R-410A Thermal Expansion Valve (TXV)
- Convertible to R-22 using optional accessory TXV conversion kit.
- Low Voltage Terminal Connection Point
- Enhanced Coil Fin Patented
- Blow Through Design
- PSC 3 Speed Motor (1-1/2 to 4 ton)
- High Efficiency ECM Motor (5 ton)
- Maximum Width of 23.5"
- Compact 20.8" depth with doors removed
- Integrated Horizontal Drain pans
- Single Color
- Fused 24V Power
- Safety Door Switch
- **5 year warranty**
- **10-year warranty registered**
- **Optional extended warranty available**



Trane

6200 Troup Highway
Tyler, TX 75707

The manufacturer has a policy of continuous product and product data improvement and it reserves the right to change design and specification without notice.