

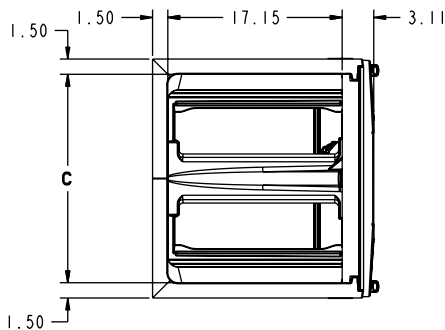
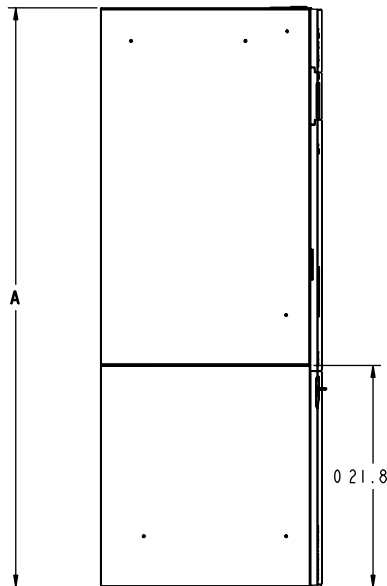
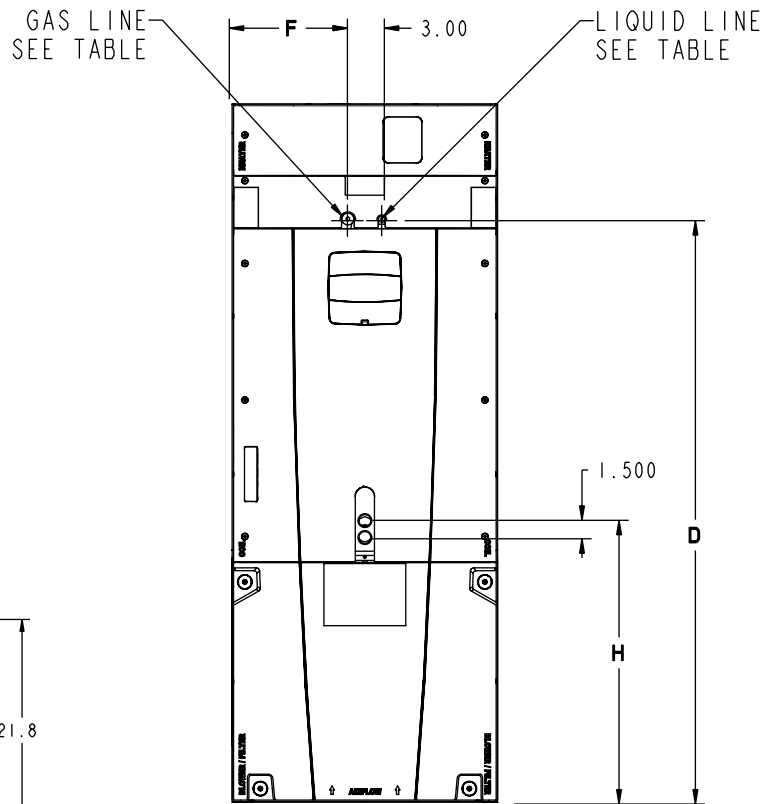
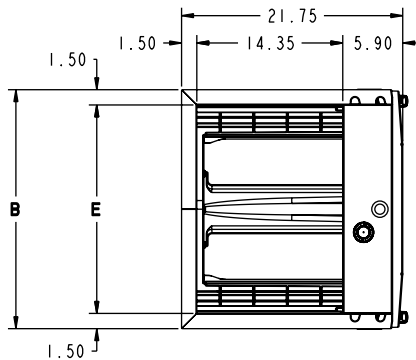


TAG: \_\_\_\_\_

# Submittal

## 1-1/2 Ton Convertible Air Handler GAM2A0A18S11SE

Note: 14th digit may be A-E



MINIMUM UNIT CLEARANCE TABLE		
	TO COMBUSTIBLE MATERIAL (REQUIRED)	SERVICE CLEARANCE (RECOMMENDED)
SIDES	0"	2"
FRONT	0"	21"
BACK	0"	0"
INLET DUCT	0"	
OUTLET DUCT	0"	

MODEL NO.	A	B	C	D	E	F	H	FLOW CONTROL	GAS LINE BRAZE
GAM2A0A18	49.9	39.6	14.5	17.5	14.5	7.3	26.7	TXV	3/4

**PRODUCT SPECIFICATIONS**

<b>MODEL</b>	<b>GAM2A0A18S11SE</b>
<b>RATED VOLTS/PH/Hz.</b>	208-230/1/60
<b>RATINGS</b> ①	See O.D. Specifications
<b>INDOOR COIL — Type</b>	Plate Fin
Rows — F.P.I.	3 - 14
Face Area (sq. ft.)	3.21
Tube Size (in.)	3/8
Refrigerant Control	TXV
Drain Conn. Size (in.) ②	3/4 NPT
<b>DUCT CONNECTIONS</b>	See Outline Drawing
<b>INDOOR FAN — Type</b>	Centrifugal
Diameter-Width (In.)	11 X 8
No. Used	1
Drive - No. Speeds	Direct - 3
CFM vs. in. w.g.	See Fan Performance Table
No. Motors — H.P.	1 - 1/3
Motor Speed R.P.M.	825
Volts/Ph/Hz	208-230/1/60
F.L. Amps - L.R. Amps	2.0 - 4.1
<b>FILTER</b>	
Filter Furnished?	No
Type Recommended	Throwaway
No.-Size-Thickness	1 - 16 X 20 - 1 in.
<b>REFRIGERANT</b>	<b>R-410A</b>
Ref. Line Connections	Brazed
Coupling or Conn. Size — in. Gas	3/4
Coupling or Conn. Size — in. Liq.	3/8
<b>DIMENSIONS</b>	H x W x D
Crated (In.)	51 x 20 x 24-1/2
Uncrated	49-15/16 x 17-1/2 x 21-13/16
<b>WEIGHT</b>	
Shipping (Lbs.)/Net (Lbs.)	123/113

① These Air Handlers are A.H.R.I. certified with various Split System Air Conditioners and Heat Pumps (AHRI STANDARD 210/240). Refer to the Split System Outdoor Unit Product Data Guides for performance data.

② 3/4" Male Plastic Pipe (Ref.: ASTM 1785-76)

Note: 14th digit may be A-E



GAM2A0A18S11S MINIMUM HEATER AIRFLOW CFM		
Heater	Minimum Air Speed Tap	
	With Heat Pump	Without Heat Pump
BAYEAC04BK1AA BAYEAC04LG1AA	Tap 1	Tap 1
BAYEAC05BK1AA BAYEAC05LG1AA	Tap 1	Tap 1
BAYEAC08BK1AA BAYEAC08LG1AA	Tap 2	Tap 1
BAYEAC10BK1AA BAYEAC10LG1AA	Tap 3	Tap 2
BAYEAC10LG3AA	Tap 3	Tap 1
BAYEABC15BK1AA	-	-
BAYEABC20BK1AA	-	-
SEE AIR HANDLER NAMEPLATE OR PRODUCT DATA FOR EXCEPTIONS		

**Note:** Heating and cooling speeds are the same, factory set at Speed Tap #2.

AIRFLOW PERFORMANCE						
GAM2A0A18S11SE						
EXTERNAL STATIC (in w.g)	AIRFLOW (CFM)					
	Speed Taps - 230 VOLTS			Speed Taps - 208 VOLTS		
	3	2 †	1	3	2 †	1
0	1091	743	677	1065	621	561
0.1	1024	719	659	999	606	544
0.2	952	690	635	929	583	524
0.3	875	651	598	852	551	492
0.4	799	601	553	782	510	451
0.5	726	536	488	706	453	390
0.6	621	431	390	604	369	315
0.7	500	320	N/A	474	225	N/A
0.8	321	N/A	N/A	302	N/A	N/A
0.9	N/A	N/A	N/A	N/A	N/A	N/A

NOTES:  
1. Values are with wet coil and without filters.  
2. Contact your particular filter manufacturer for pressure drop data.  
3. Electric heater pressure drop is negligible and is included within the airflow data.  
4. † Factory Setting

WIRING DATA											
GAM2A0A18S11S											
Heater Model No.	No. of Circuits	240 VOLT					208 VOLT				
		Capacity		Heater Amps per Circuit	Minimum Circuit Ampacity	Maximum Overload Protection	Capacity		Heater Amps per Circuit	Minimum Circuit Ampacity	Maximum Overload Protection
		kW	BTUH				kW	BTUH			
No Heater	-	-	-	2.0**	3	15	-	-	2.0**	3	15
BAYEAAC04++1	1	3.84	13100	16	23	25	2.88	9800	13.80	20	20
BAYEAAC05++1	1	4.80	16400	20	28	30	3.60	12300	17.30	24	25
BAYEAAC08++1	1	7.68	26200	32	43	45	5.76	19700	27.70	37	40
BAYEAAC10++1	1	9.60	32800	40	53	60	7.20	24600	34.60	46	50
BAYEAAC10LG3	1-3PH	9.60	32800	23.1	31	35	7.20	24600	20.00	27	30

Note: \*\* Motor Amps

Notes:

1. See Product Data or Air Handler nameplate for approved combinations of Air Handlers and Heaters
2. Heater model numbers may have additional suffix digits.

# Mechanical Specifications

- Unique Cabinet Design
  - Double Wall Foamed and Formed Cabinet System
  - Water Proof Cabinet Design
  - > R-4.2 Insulating Value (Avg Insulating Value R-8.2)
  - Composite Foamed Cabinet Doors
  - Sweat Eliminating Cabinet Design
  - Loose Fiber Eliminating Cabinet Design
  - Smooth Cleanable Cabinet Design
  - 2% or Less air leakage
  - Precision Applied Durable Door Seals
  - Tool-free Fasteners on Blower/Filter Door
  - Modular Cabinet
- Multi-Position UP/Down Flow Horizontal Left /Right
- Side Return Option
- Braze in Refrigerant Connection
- Primary/Secondary Condensate Connections
- Premarked Conduit Connection Locations
- Vortica™ Blower with Integrated Slide Deck for Easy Removal
- Polarized Plug connections on Blower
- Aluminum Coil with Integrated Slide Deck for Easy Removal
- Slide in Electric Heaters
- Polarized Plug connections for Electric Heater
- Labeled Panels and connections
- 1-1/4" to 1" And 3/4" to 1/2" Conduit connection on Left, Right and Top
- Molded in 1" Standard Filter rail
- R-410A Thermal Expansion Valve (TXV)
- Convertible to R-22 using optional accessory TXV conversion kit.
- Low Voltage Terminal Connection Point
- Enhanced Coil Fin Patented
- Blow Through Design
- PSC 3 Speed Motor (1-1/2 to 4 ton)
- High Efficiency ECM Motor (5 ton)
- Maximum Width of 23.5"
- Compact 20.8" depth with doors removed
- Integrated Horizontal Drain pans
- Single Color
- Fused 24V Power
- Safety Door Switch
- **5 year warranty**
- **10-year warranty registered**
- **Optional extended warranty available**



## Trane

6200 Troup Highway  
Tyler, TX 75707

The manufacturer has a policy of continuous product and product data improvement and it reserves the right to change design and specification without notice.