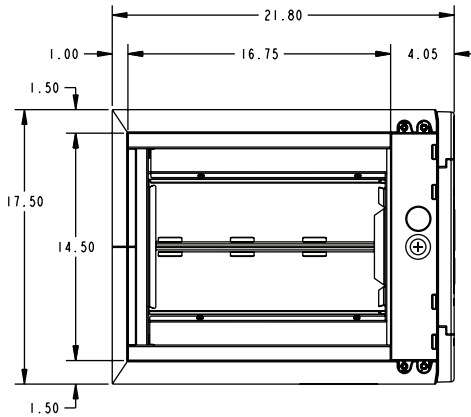


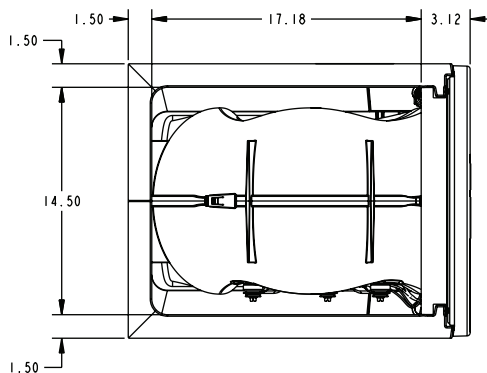
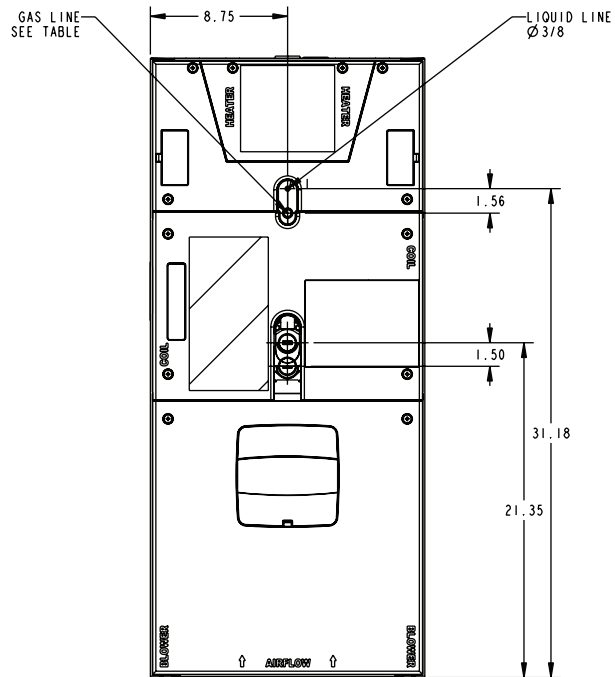
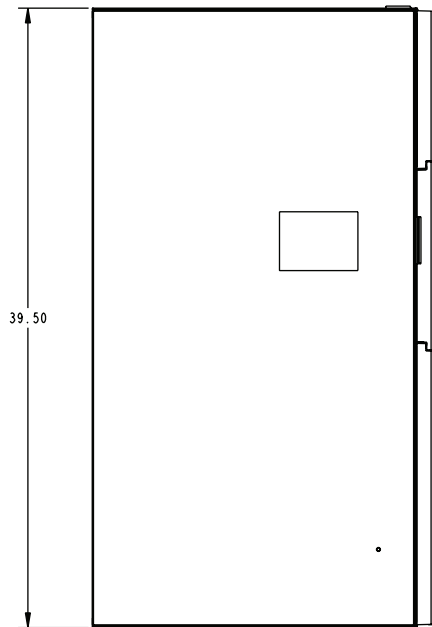
TAG: _____

Submittal

3 Ton Convertible Air Handler GAF2A0A36S31SE



| MINIMUM UNIT CLEARANCE TABLE | | |
|------------------------------|------------------------------------|---------------------------------|
| | TO COMBUSTIBLE MATERIAL (REQUIRED) | SERVICE CLEARANCE (RECOMMENDED) |
| SIDES | 0" | 2" |
| FRONT | 0" | 21" |
| BACK | 0" | 0" |
| INLET DUCT | 0" | N/A |
| OUTLET DUCT | 0" | N/A |



| MODEL NO. | FLOW CONTROL | LIQUID LINE BRAZE | GAS LINE BRAZE |
|-----------|--------------|-------------------|----------------|
| GAF2A0A36 | TXV | 3/8 | 3/4 |

PRODUCT SPECIFICATIONS

| | |
|-----------------------------------|---------------------------|
| MODEL | GAF2A0A36S31SE |
| RATED VOLTS/PH/HZ. | 208-230/1/60 |
| RATINGS ① | See O.D. Specifications |
| INDOOR COIL — Type | Plate Fin |
| Rows — F.P.I. | 3 - 14 |
| Face Area (sq. ft.) | 3.21 |
| Tube Size (in.) | 3/8 |
| Refrigerant Control | TXV |
| Drain Conn. Size (in.) ② | 3/4 NPT |
| DUCT CONNECTIONS | See Outline Drawing |
| INDOOR FAN — Type | Centrifugal |
| Diameter-Width (In.) | 11 X 8 |
| No. Used | 1 |
| Drive - No. Speeds | Direct - 3 |
| CFM vs. in. w.g. | See Fan Performance Table |
| No. Motors — H.P. | 1 - 1/2 |
| Motor Speed RPM | 1075 |
| Volts/Ph/Hz | 208-230/1/60 |
| F.L. Amps - L.R. Amps | 2.4 - 3.8 |
| FILTER | |
| Filter Furnished? | No |
| Type Recommended | Throwaway |
| No.-Size-Thickness | 1 - 16 X 20 - 1 in. |
| REFRIGERANT | R-410A |
| Ref. Line Connections | Brazed |
| Coupling or Conn. Size — in. Gas | 3/4 |
| Coupling or Conn. Size — in. Liq. | 3/8 |
| DIMENSIONS | H x W x D |
| Crated (In.) | 40.5 x 20 x 24.5 |
| Uncrated | 39.5 x 17.5 x 21.8 |
| WEIGHT | |
| Shipping (Lbs.)/Net (Lbs.) | 122/112 |

- ① These Air Handlers are AHRI certified with various Split System Air Conditioners and Heat Pumps (AHRI STANDARD 210/240). Refer to the Split System Outdoor Unit Product Data Guides for performance data.
- ② 3/4" Male Plastic Pipe (Ref.: ASTM 1785-76)



| GAF2A0A36S31SE MINIMUM HEATER AIRFLOW CFM | | |
|--|-----------------------|----------------|
| Heater | Minimum Air Speed Tap | |
| | Without Heat Pump | With Heat Pump |
| BAYECAA05LG1AA | Tap 1 | Tap 1 |
| BAYECAA08LG1AA | Tap 1 | Tap 1 |
| BAYECAA10LG1AA | Tap 1 | Tap 1 |
| SEE AIR HANDLER NAMEPLATE OR PRODUCT DATA FOR EXCEPTIONS | | |

Note: Heating and cooling speeds are the same, factory set at Speed Tap #2.

GAF2A0A36 AIRFLOW PERFORMANCE TABLE

| AIRFLOW PERFORMANCE | | | | | | |
|-----------------------------|------------------------|------|------|------------------------|------|-----|
| GAF2A0A36S31SE | | | | | | |
| EXTERNAL STATIC (in w.g) | Speed Taps - 230 VOLTS | | | Speed Taps - 208 VOLTS | | |
| | 3 | 2 † | 1 | 3 | 2 | 1 |
| 0 | 1191 | 1146 | 1094 | 1040 | 1015 | 964 |
| 0.1 | 1180 | 1132 | 1085 | 1033 | 1004 | 959 |
| 0.2 | 1158 | 1110 | 1065 | 1014 | 984 | 942 |
| 0.3 | 1119 | 1082 | 1035 | 979 | 958 | 916 |
| 0.4 | 1079 | 1045 | 1003 | 942 | 923 | 887 |
| 0.5 | 1040 | 1005 | 969 | 907 | 886 | 857 |
| 0.6 | 993 | 960 | 927 | 864 | 843 | 818 |
| 0.7 | 934 | 910 | 877 | 808 | 795 | 772 |
| 0.8 | 880 | 855 | 816 | 758 | 742 | 715 |
| 0.9 | 815 | 786 | 748 | 696 | 675 | 650 |
| 1.0 | 744 | 715 | 677 | 629 | 607 | 583 |

NOTES:
 1. Values are with wet coil and without filters.
 2. Contact your particular filter manufacturer for pressure drop data.
 3. Electric heater pressure drop is negligible and is included within the airflow data.
 4. † Factory Setting

| WIRING DATA | | | | | | | | | | | |
|------------------|-----------------|----------|-------|-------------------------|--------------------------|-----------------------------|----------|-------|-------------------------|--------------------------|-----------------------------|
| GAF2A0A36S31SE | | | | | | | | | | | |
| Heater Model No. | No. of Circuits | 240 VOLT | | | | | 208 VOLT | | | | |
| | | Capacity | | Heater Amps per Circuit | Minimum Circuit Ampacity | Maximum Overload Protection | Capacity | | Heater Amps per Circuit | Minimum Circuit Ampacity | Maximum Overload Protection |
| | | kW | BTUH | | | | kW | BTUH | | | |
| No Heater | - | - | - | 2.4** | 3 | 15 | - | - | 2.4** | 3 | 15 |
| BAYECAA05++ | 1 | 4.80 | 16400 | 20 | 28 | 30 | 3.60 | 12300 | 17.3 | 25 | 25 |
| BAYECAA08++ | 1 | 7.68 | 26200 | 32 | 43 | 45 | 5.76 | 19700 | 27.7 | 38 | 40 |
| BAYECAA10++ | 1 | 9.60 | 32800 | 40 | 53 | 60 | 7.20 | 24600 | 34.6 | 46 | 50 |

Note: ** Motor Amps

Notes:

1. See Product Data or Air Handler nameplate for approved combinations of Air Handlers and Heaters
2. Heater model numbers may have additional suffix digits.

Mechanical Specifications

- Unique Cabinet Design
 - Double Wall Foamed and Formed Cabinet System
 - Water Proof Cabinet Design
 - R-4.2 Insulating Value (Avg. Insulating Value R-8)
 - Composite Foamed Cabinet Doors
 - Sweat Eliminating Cabinet Design
 - Loose Fiber Eliminating Cabinet Design
 - Smooth Cleanable Cabinet Design
 - 2% or Less air leakage
 - Precision Applied Durable Door Seals
- Multi-Position Upflow/ Horizontal Left / Horizontal Right
- Front Return Option
- Braze in Refrigerant Connection
- Primary/Secondary Condensate Connections
- Vortica Blower with Integrated Slide Deck for Easy Removal
- Polarized Plug connections on Blower
- Aluminum Coil with Integrated Slide Deck for Easy Removal
- Slide in Electric Heaters
- Polarized Plug connections for Electric Heater
- Labeled Panels and connections
- Guide for 1-1/4" to 1" And 3/4" to 1/2" Conduit connection on Top
- R-410A Thermal Expansion Valve (TXV)
- Low Voltage Color Coded Wires
- Enhanced Coil Fin Patented
- Blow Through Design
- PSC 3 Speed Motor
- Maximum Width of 17.5"
- Compact 20.8" depth with doors removed
- Integrated Horizontal Drain pans
- Single Color
- Fused 24V Power
- **5 year warranty**
- **10-year warranty registered**
- **Optional extended warranty available**



Trane
6200 Troup Highway
Tyler, TX 75707

The manufacturer has a policy of continuous product and product data improvement and it reserves the right to change design and specification without notice.