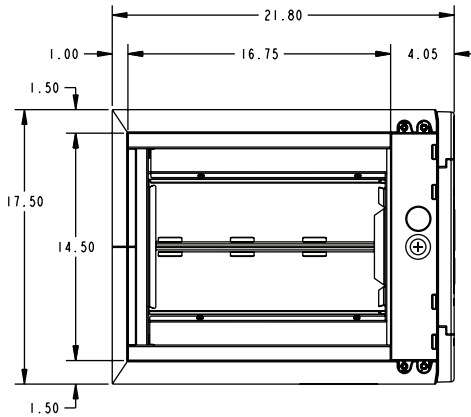


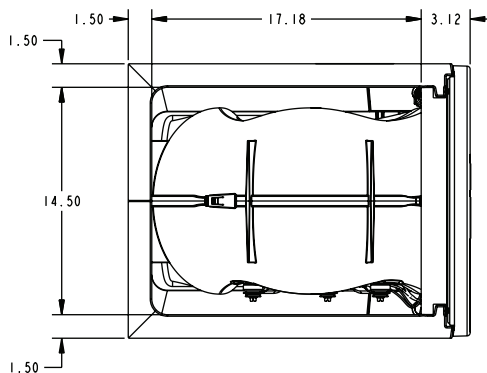
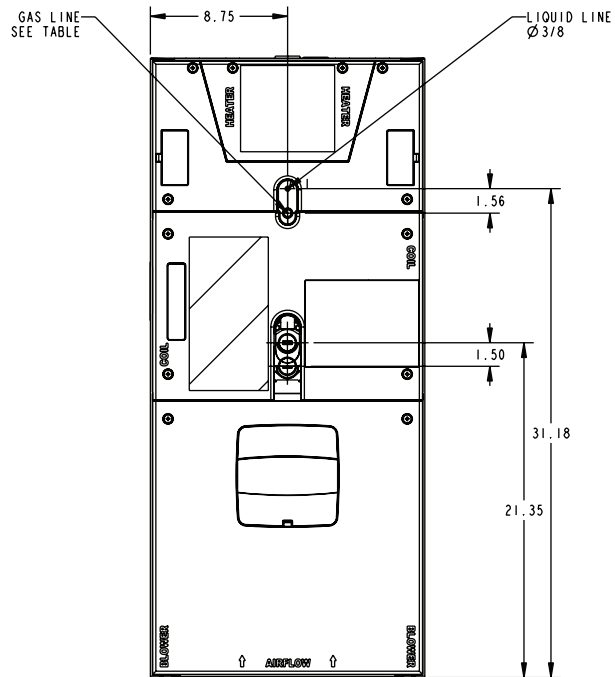
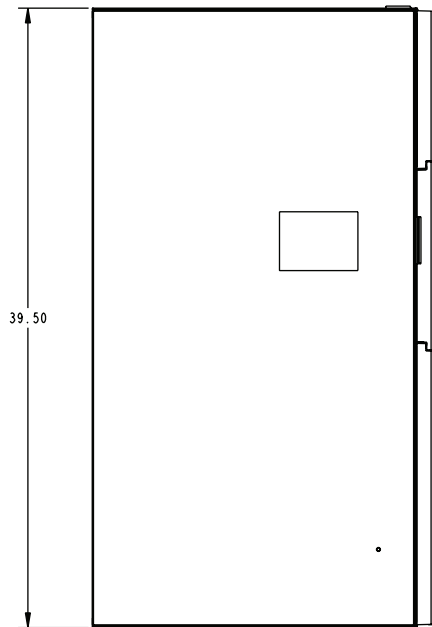
TAG: _____

Submittal

1-1/2 Ton Convertible Air Handler GAF2A0A18S11SE



MINIMUM UNIT CLEARANCE TABLE		
	TO COMBUSTIBLE MATERIAL (REQUIRED)	SERVICE CLEARANCE (RECOMMENDED)
SIDES	0"	2"
FRONT	0"	21"
BACK	0"	0"
INLET DUCT	0"	N/A
OUTLET DUCT	0"	N/A



MODEL NO.	FLOW CONTROL	LIQUID LINE BRAZE	GAS LINE BRAZE
GAF2A0A18	TXV	3/8	3/4

PRODUCT SPECIFICATIONS

MODEL	GAF2A0A18S11SE
RATED VOLTS/PH/HZ.	208-230/1/60
RATINGS ①	See O.D. Specifications
INDOOR COIL — Type	Plate Fin
Rows — F.P.I.	3 - 14
Face Area (sq. ft.)	3.21
Tube Size (in.)	3/8
Refrigerant Control	TXV
Drain Conn. Size (in.) ②	3/4 NPT
DUCT CONNECTIONS	See Outline Drawing
INDOOR FAN — Type	Centrifugal
Diameter-Width (In.)	11 X 8
No. Used	1
Drive - No. Speeds	Direct - 3
CFM vs. in. w.g.	See Fan Performance Table
No. Motors — H.P.	1 - 1/3
Motor Speed RPM	825
Volts/Ph/Hz	208-230/1/60
F.L. Amps - L.R. Amps	2.0 - 4.1
FILTER	
Filter Furnished?	No
Type Recommended	Throwaway
No.-Size-Thickness	1 - 16 X 20 - 1 in.
REFRIGERANT	R-410A
Ref. Line Connections	Brazed
Coupling or Conn. Size — in. Gas	3/4
Coupling or Conn. Size — in. Liq.	3/8
DIMENSIONS	H x W x D
Crated (In.)	40.5 x 20 x 24.5
Uncrated	39.5 x 17.5 x 21.8
WEIGHT	
Shipping (Lbs.)/Net (Lbs.)	117/107

- ① These Air Handlers are AHRI certified with various Split System Air Conditioners and Heat Pumps (AHRI STANDARD 210/240). Refer to the Split System Outdoor Unit Product Data Guides for performance data.
- ② 3/4" Male Plastic Pipe (Ref.: ASTM 1785-76)



GAF2A0A18S11SE MINIMUM HEATER AIRFLOW CFM		
Heater	Minimum Air Speed Tap	
	Without Heat Pump	With Heat Pump
BAYECAA05LG1AA	Tap 1	Tap 3
BAYECAA08LG1AA	Tap 2	Tap 3
BAYECAA10LG1AA	Tap 2	Tap 3
SEE AIR HANDLER NAMEPLATE OR PRODUCT DATA FOR EXCEPTIONS		

Note: Heating and cooling speeds are the same, factory set at Speed Tap #2.

GAF2A0A18 AIRFLOW PERFORMANCE TABLE

AIRFLOW PERFORMANCE						
GAF2A0A18S11SE						
EXTERNAL STATIC (in w.g)	AIRFLOW (CFM)					
	Speed Taps - 230 VOLTS			Speed Taps - 208 VOLTS		
	3	2 †	1	3	2 †	1
0	952	768	710	940	654	598
0.1	894	741	687	885	636	581
0.2	845	704	658	831	610	558
0.3	785	662	620	775	577	526
0.4	724	607	568	714	529	477
0.5	652	531	494	640	460	415
0.6	557	441	404	543	378	347
0.7	428	346	N/A	418	244	N/A
0.8	284	N/A	N/A	225	N/A	N/A
0.9	N/A	N/A	N/A	N/A	N/A	N/A
1.0	N/A	N/A	N/A	N/A	N/A	N/A

NOTES:
 1. Values are with wet coil and without filters.
 2. Contact your particular filter manufacturer for pressure drop data.
 3. Electric heater pressure drop is negligible and is included within the airflow data.
 4. † Factory Setting

WIRING DATA											
GAF2A0A18S11SE											
Heater Model No.	No. of Circuits	240 VOLT					208 VOLT				
		Capacity		Heater Amps per Circuit	Minimum Circuit Ampacity	Maximum Overload Protection	Capacity		Heater Amps per Circuit	Minimum Circuit Ampacity	Maximum Overload Protection
		kW	BTUH				kW	BTUH			
No Heater	-	-	-	2.0**	3	15	-	-	2.0**	3	15
BAYECAA05++	1	4.80	16400	20	28	30	3.60	12300	17.3	24	25
BAYECAA08++	1	7.68	26200	32	43	45	5.76	19700	27.7	37	40
BAYECAA10++	1	9.60	32800	40	53	60	7.20	24600	34.6	46	50

Note: ** Motor Amps

Notes:

1. See Product Data or Air Handler nameplate for approved combinations of Air Handlers and Heaters
2. Heater model numbers may have additional suffix digits.

Mechanical Specifications

- Unique Cabinet Design
 - Double Wall Foamed and Formed Cabinet System
 - Water Proof Cabinet Design
 - R-4.2 Insulating Value (Avg. Insulating Value R-8)
 - Composite Foamed Cabinet Doors
 - Sweat Eliminating Cabinet Design
 - Loose Fiber Eliminating Cabinet Design
 - Smooth Cleanable Cabinet Design
 - 2% or Less air leakage
 - Precision Applied Durable Door Seals
- Multi-Position Upflow/ Horizontal Left / Horizontal Right
- Front Return Option
- Braze in Refrigerant Connection
- Primary/Secondary Condensate Connections
- Vortica Blower with Integrated Slide Deck for Easy Removal
- Polarized Plug connections on Blower
- Aluminum Coil with Integrated Slide Deck for Easy Removal
- Slide in Electric Heaters
- Polarized Plug connections for Electric Heater
- Labeled Panels and connections
- Guide for 1-1/4" to 1" And 3/4" to 1/2" Conduit connection on Top
- R-410A Thermal Expansion Valve (TXV)
- Low Voltage Color Coded Wires
- Enhanced Coil Fin Patented
- Blow Through Design
- PSC 3 Speed Motor
- Maximum Width of 17.5"
- Compact 20.8" depth with doors removed
- Integrated Horizontal Drain pans
- Single Color
- Fused 24V Power
- **5 year warranty**
- **10-year warranty registered**
- **Optional extended warranty available**



Trane
6200 Troup Highway
Tyler, TX 75707

The manufacturer has a policy of continuous product and product data improvement and it reserves the right to change design and specification without notice.