

TAG: \_\_\_\_\_

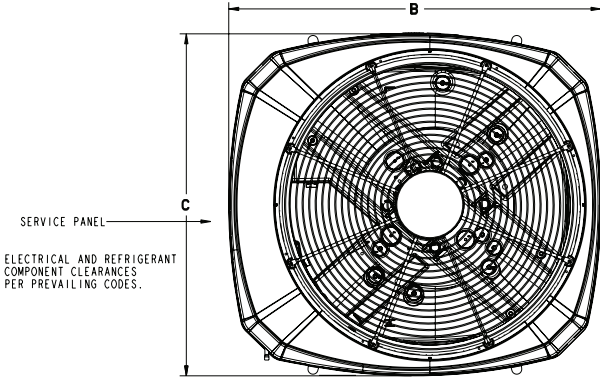
# SUBMITTAL

NOTE: All dimensions are in mm/inches.

## 3 Ton Split System Cooling — 3 Phase

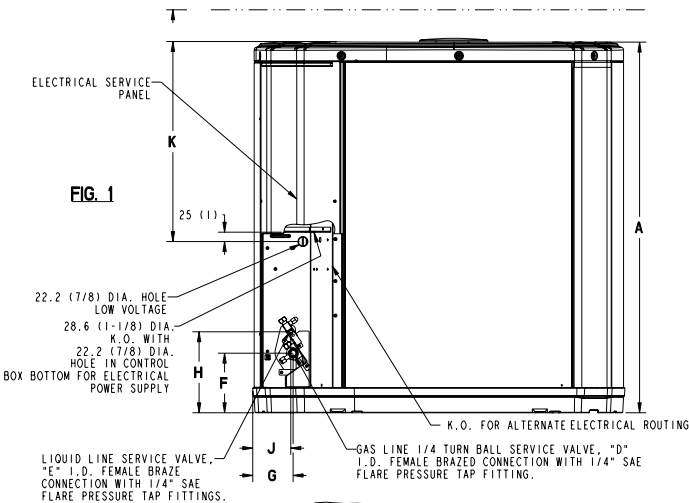
### 4TTA3036B

#### Product Specifications


 SERVICE PANEL  
ELECTRICAL AND REFRIGERANT COMPONENT CLEARANCES PER PREVAILING CODES.

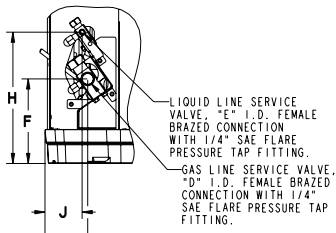
TOP DISCHARGE AREA SHOULD BE UNRESTRICTED FOR AT LEAST 1524 (5 FEET) ABOVE UNIT. UNIT SHOULD BE PLACED SO ROOF RUN-OFF WATER DOES NOT POUR DIRECTLY ON UNIT, AND SHOULD BE AT LEAST 305 (12") FROM WALL AND ALL SURROUNDING SHRUBBERY ON TWO SIDES. OTHER TWO SIDES UNRESTRICTED.

| OUTDOOR UNIT ①②                   | 4TTA3036B3000A              | 4TTA3036B4000A              |
|-----------------------------------|-----------------------------|-----------------------------|
| <b>POWER CONNS. — V/PH/HZ ③</b>   | 200/230/3/60                | 460/3/60                    |
| MIN. BRCH. CIR. AMPACITY          | 14                          | 8                           |
| BR. CIR. PROT. RTG. - MAX. (AMPS) | 20                          | 15                          |
| <b>COMPRESSOR</b>                 | SCROLL                      | SCROLL                      |
| NO. USED - NO. SPEEDS             | 1 - 1                       | 1 - 1                       |
| VOLTS/PH/HZ                       | 200/230/3/60                | 460/3/60                    |
| R.L. AMPS ⑦ - L.R. AMPS           | 10.4 - 73                   | 5.8 - 38                    |
| <b>FACTORY INSTALLED</b>          |                             |                             |
| START COMPONENTS ⑧                | NO                          | NO                          |
| INSULATION/SOUND BLANKET          | NO                          | NO                          |
| COMPRESSOR HEAT                   | YES                         | YES                         |
| <b>OUTDOOR FAN</b>                | PROPELLER                   | PROPELLER                   |
| DIA. (IN.) - NO. USED             | 23 - 1                      | 23 - 1                      |
| TYPE DRIVE - NO. SPEEDS           | DIRECT - 1                  | DIRECT - 1                  |
| CFM @ 0.0 IN. W.G. ④              | 2800                        | 2800                        |
| NO. MOTORS - HP                   | 1 - 1/8                     | 1 - 1/8                     |
| MOTOR SPEED R.P.M.                | 825                         | 825                         |
| VOLTS/PH/HZ                       | 200/230/3/60                | 460/3/60                    |
| F.L. AMPS                         | 0.56                        | .40                         |
| <b>OUTDOOR COIL — TYPE</b>        | SPINE FIN™                  | SPINE FIN™                  |
| ROWS - F.P.I.                     | 1 - 24                      | 1 - 24                      |
| FACE AREA (SQ. FT.)               | 12.89                       | 12.89                       |
| TUBE SIZE (IN.)                   | 3/8                         | 3/8                         |
| <b>REFRIGERANT</b>                |                             |                             |
| LBS. — R-410A (O.D. UNIT) ⑤       | 5 LBS., 12 OZ.              | 5 LBS., 12 OZ.              |
| FACTORY SUPPLIED                  | YES                         | YES                         |
| LINE SIZE - IN. O.D. GAS ⑥        | 3/4                         | 3/4                         |
| LINE SIZE - IN. O.D. LIQ. ⑥       | 3/8                         | 3/8                         |
| <b>CHARGING SPECIFICATION</b>     |                             |                             |
| SUBCOOLING                        | 10°F                        | 10°F                        |
| <b>DIMENSIONS</b>                 |                             |                             |
| CRATED (IN.)                      | H X W X D<br>34 x 30.1 x 33 | H X W X D<br>34 x 30.1 x 33 |
| <b>WEIGHT</b>                     |                             |                             |
| SHIPPING (LBS.)                   | 176                         | 176                         |
| NET (LBS.)                        | 149                         | 149                         |



22.2 (7/8) DIA. HOLE LOW VOLTAGE K.O. WITH 22.2 (7/8) DIA. HOLE IN CONTROL BOX BOTTOM FOR ELECTRICAL POWER SUPPLY

LIQUID LINE SERVICE VALVE. "E" I.D. FEMALE BRAZED CONNECTION WITH 1/4" SAE FLARE PRESSURE TAP FITTINGS.


**FIG. 2**

From Dwg. D156010 Rev. 01

- ① Certified in accordance with the Air-Source Unitary Air-conditioner Equipment certification program, which is based on AHRI standard 210/240.
- ② Rated in accordance with AHRI standard 270.
- ③ Calculated in accordance with Natl. Elec. Codes. Use only HACR circuit breakers or fuses.
- ④ Standard Air — Dry Coil — Outdoor
- ⑤ This value approximate. For more precise value see unit nameplate.
- ⑥ Max. linear length 60 ft.; Max. lift - Suction 60 ft.; Max. lift - Liquid 60 ft. For greater length consult refrigerant piping software Pub. No. 32-3312-0\* (\* denotes latest revision).
- ⑦ This value shown for compressor RLA on the unit nameplate and on this specification sheet is used to compute minimum branch circuit ampacity and max. fuse size. The value shown is the branch circuit selection current.
- ⑧ No means no start components. Yes means quick start kit components. PTC means positive temperature coefficient starter.

| MODELS    | BASE | FIG. | A            | B            | C            | D   | E   | F           | G          | H           | J          | K        |
|-----------|------|------|--------------|--------------|--------------|-----|-----|-------------|------------|-------------|------------|----------|
| 4TTA3036B | 3    | 1    | 733 (28-3/4) | 829 (32-5/8) | 756 (29-3/4) | 3/4 | 3/8 | 137 (5-3/8) | 79 (3-1/8) | 197 (7-3/4) | 60 (2-3/8) | 508 (20) |

| A-WEIGHTED SOUND POWER LEVEL [dB(A)] |                           |  |      |      |      |      |      |      |      |
|--------------------------------------|---------------------------|--|------|------|------|------|------|------|------|
| MODELS                               | SOUND POWER LEVEL [dB(A)] | A-WEIGHTED FULL OCTOAVE SOUND POWER LEVEL Db - [dB(A)] |      |      |      |      |      |      |      |
|                                      |                           | 63   | 125  | 250  | 500  | 1000 | 2000 | 4000 | 8000 |
| 4TTA3036B                            | 78                        | 45.5   | 58.7 | 63.1 | 69.7 | 70   | 68.1 | 59   | 49.8 |

# Mechanical Specification Options

## General

The 4TTA3 shall be fully charged from the factory for matched indoor section and up to 15 feet of piping. This unit must be designed to operate at outdoor ambient temperatures as high as 115°F. Cooling capacities shall be matched with a wide selection of air handlers and furnace coils that are AHRI certified. The unit is certified to UL 1995. Exterior must be designed for outdoor application.

## Casing

Unit casing is constructed of heavy gauge, galvanized steel and painted with a weather-resistant powder paint. Corrosion and weatherproof CMBP-G30 base.

## Refrigerant Controls

Refrigeration system controls include condenser fan and compressor contactor. High and low pressure controls are inherent to the compressor. Another standard feature is the liquid line dryer.

## Compressor

The compressor features internal over temperature and pressure protector, total dipped hermetic motor and thermostatically controlled sump heater. Other features include: roto lock suction and discharge refrigeration connections, centrifugal oil pump, and low vibration and noise.

## Condenser Coil

The Spine Fin™ coil shall be continuously wrapped, corrosion resistant all aluminum with minimum brazed joints. This coil is 5/16 inch O.D. seamless aluminum glued to a continuous aluminum fin. Coils are lab tested to withstand 2,000 pounds of pressure per square inch. The outdoor coil provides low airflow resistance and efficient heat transfer. The coil is protected on all four sides by louvered panels.

## Low Ambient Cooling

As manufactured, this unit has a cooling capability to 55°F. The addition of an evaporator defrost control permits operation to 40°F. The addition of an evaporator defrost control with TXV permits low ambient cooling to 30°F.

## Accessories

**Thermostats** — Heating/Cooling (manual and automatic changeover). Sub-base to match thermostat and locking thermostat cover.

**Evaporator Defrost Control** — See Low Ambient Cooling.

**Outdoor Thermostat** — Supplemental heat outdoor ambient lockout from 46 to -10°F.

