



SUBMITTAL DATA: 4MYW5518A1 - 4TYK5518A1

18,200 BTU/H Cooling System

Job Name: _____ Location: _____ Date: _____
 Purchaser: _____ Engineer: _____
 Submitted to: _____ For Reference Approval Construction
 Unit Designation: _____ Schedule No.: _____

SPECIFICATIONS

COOLING

Rated Capacity @95F (AHRl)	18200(Btu/h)
Minimum Capacity	4500(Btu/h)
Maximum Capacity	21000(Btu/h)
SEER	16.5

ELECTRICAL CHARACTERISTICS

Power Supply	208-230V
Breaker Size	25A
RLA Cooling/Heating (Amps)	8.1A
Controls	Wireless

INDOOR UNIT

Airflow (Low/Med/High/Turbo)	
Cooling (wet coil)	460/560/680/800(m ³ /h)
Heating (dry coil)	n/a
Noise Level dB(A) (Low/Med/High/Turbo)	34/38/43/48
Fan Motor Amps	0.09

OUTDOOR UNIT

Compressor	Rotary
MCA	11.6A
Noise Level dB(A)	≤56

DIMENSIONAL DATA

	<u>OUTDOOR</u>	<u>INDOOR</u>
Height	700mm	305mm
Width	955mm	865mm
Depth	396mm	215mm
Net Weight	51kg	12kg

MISCELLANEOUS

Refrigerant Type	R-410A
Refrigerant Connections	
	Gas Line Φ 12(1/2")
	Liquid Line Φ 6(1/4")
Drain Hose Size	
	Length 630mm
	Diameter Φ 28mm
Maximum Refrigerant Line Length	40m
Maximum Refrigerant Line Height Diff.	20m
Additional Refrigerant	15g/m

GENERAL FEATURES

Coil type (AL/CU)	Aluminum fin-copper tube
Filters	Active Carbon and Catechin Filters
Operating Range (outdoor ambient)	Cooling mode: From 64 to 118 °F
Auto restart	3 mins
Expansion Device	Electronic Expansion Valve



Indoor Unit: 4MYW5518A1



Outdoor Unit: 4TYK5518A1

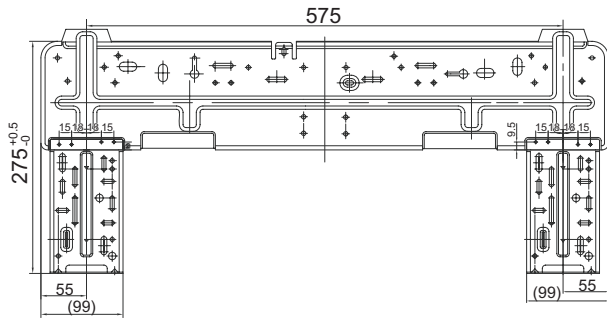
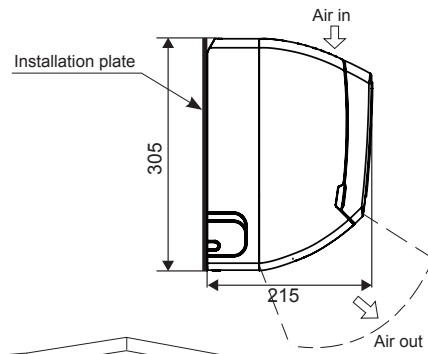
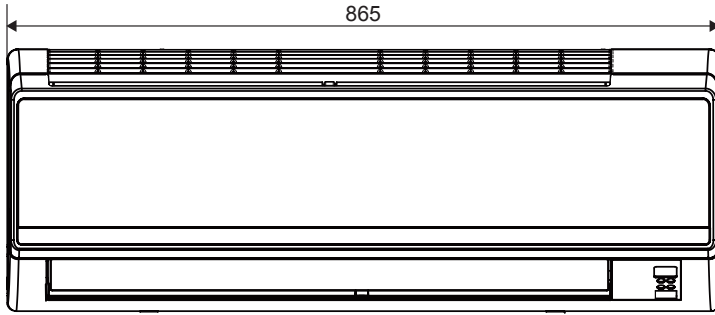


Remote Controller

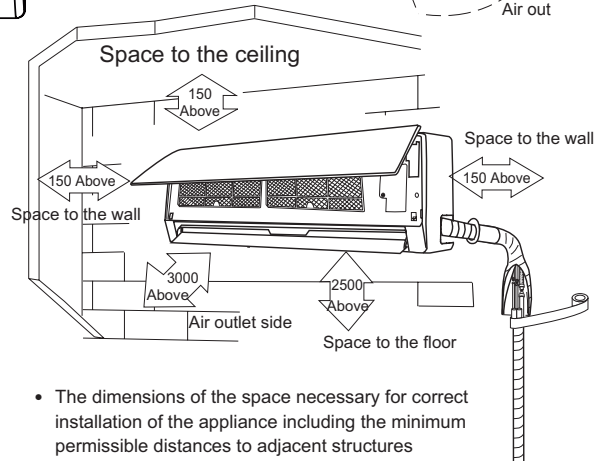
DIMENSIONS: 4MYW5518A1 - 4TYK5518A1

4MYW5518A1

Unit: mm



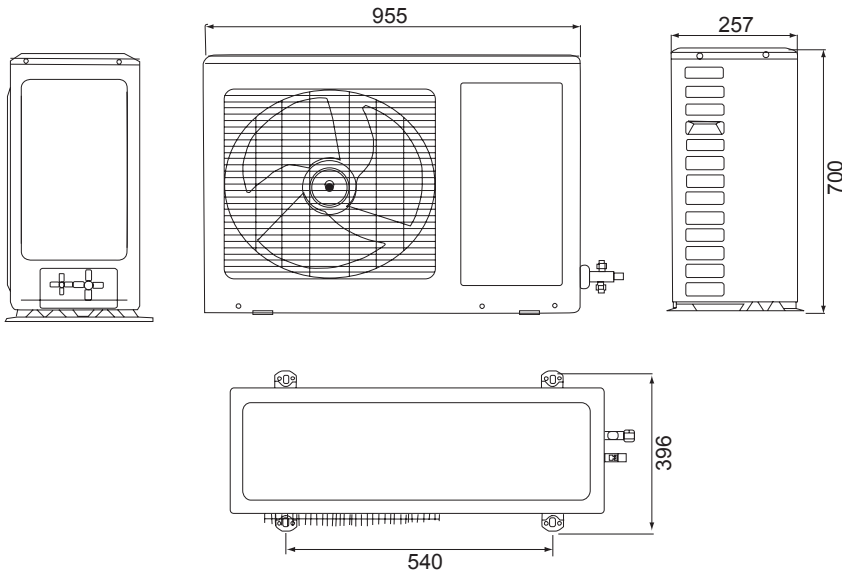
Installation plate



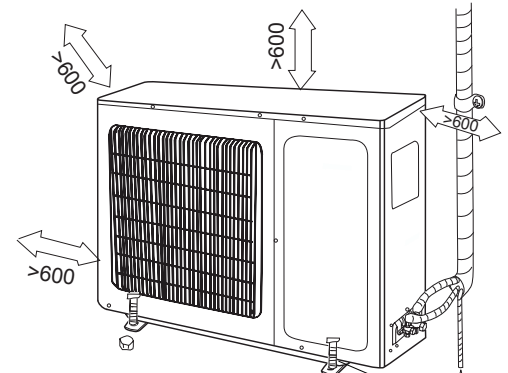
- The dimensions of the space necessary for correct installation of the appliance including the minimum permissible distances to adjacent structures

4TYK5518A1

Unit: mm



REQUIRED SPACE



600mm or more without any obstruction in front and on both sides of the unit.



Trane optimizes the performance of homes and buildings around the world. A business of Ingersoll Rand, the leader in creating and sustaining safe, comfortable and energy efficient environments, Trane offers a broad portfolio of advanced controls and HVAC systems, comprehensive building services, and parts. For more information, visit www.trane.com.

