



SUBMITTAL DATA: 4MYW5512A1 - 4TYK5512A1

11,600 BTU/H Cooling System

Job Name: _____ Location: _____ Date: _____

Purchaser: _____ Engineer: _____

Submitted to: _____ For Reference Approval Construction _____

Unit Designation: _____ Schedule No.: _____

SPECIFICATIONS

COOLING

Rated Capacity @95F (AHRl)	11600(Btu/h)
Minimum Capacity	3300(Btu/h)
Maximum Capacity	12500(Btu/h)
SEER	18

ELECTRICAL CHARACTERISTICS

Power Supply	208-230V
Breaker Size	15A
RLA Cooling/Heating (Amps)	6.4A
Controls	Wireless

INDOOR UNIT

Airflow (Low/Med/High/Turbo)	
Cooling (wet coil)	370/440/520/580(m ³ /h)
Heating (dry coil)	n/a
Noise Level dB(A) (Low/Med/High/Turbo)	28/33/39/44
Fan Motor Amps	0.07

OUTDOOR UNIT

Compressor	Rotary
MCA	8.1A
Noise Level dB(A)	≤52

DIMENSIONAL DATA

	<u>OUTDOOR</u>	<u>INDOOR</u>
Height	550mm	283mm
Width	710mm	770mm
Depth	318mm	201mm
Net Weight	30kg	9kg

MISCELLANEOUS

Refrigerant Type	R-410A	
Refrigerant Connections	Gas Line	Φ9.52(3/8")
	Liquid Line	Φ6(1/4")
Drain Hose Size	Length	730mm
	Diameter	Φ28mm
Maximum Refrigerant Line Length	30m	
Maximum Refrigerant Line Height Diff.	15m	
Additional Refrigerant	15g/m	

GENERAL FEATURES

Coil type (AL/CU)	Aluminum fin-copper tube
Filters	Active Carbon and Catechin Filters
Operating Range (outdoor ambient)	Cooling mode: From 64 to 118 °F
Auto restart	3 mins
Expansion Device	Capillary



Indoor Unit: 4MYW5512A1



Outdoor Unit: 4TYK5512A1

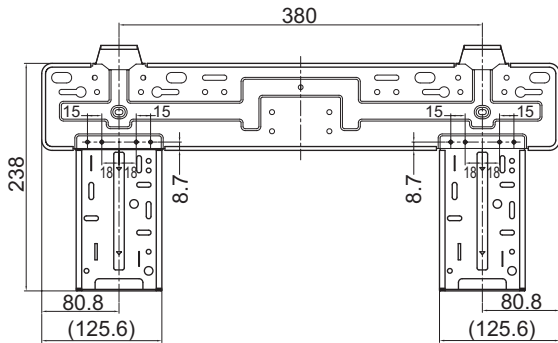
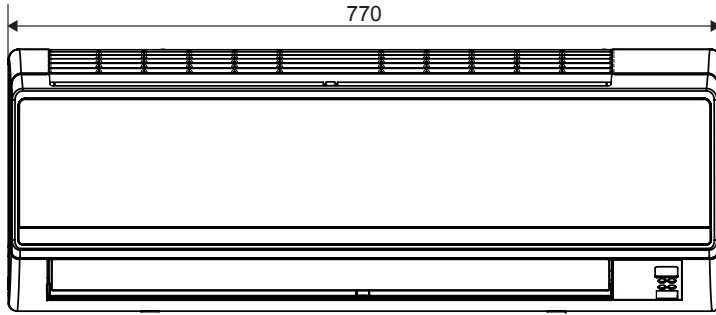


Remote Controller

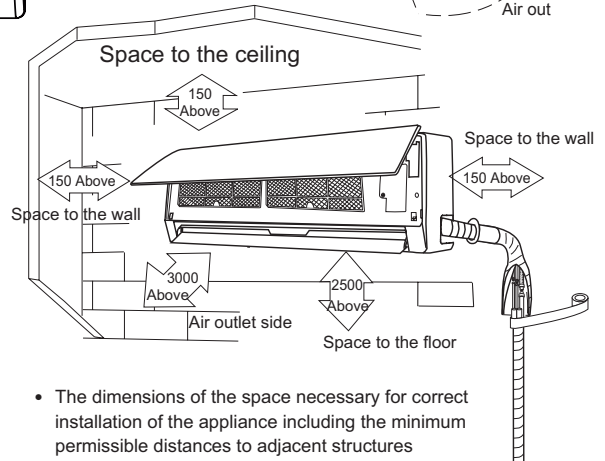
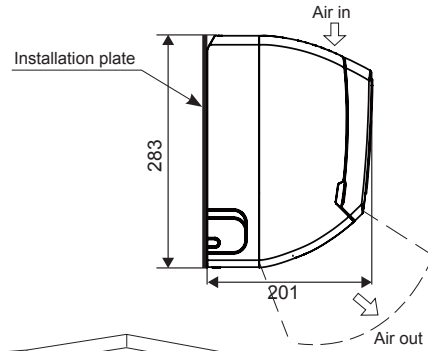
DIMENSIONS: 4MYW5512A1 - 4TYK5512A1

4MYW5512A1

Unit: mm



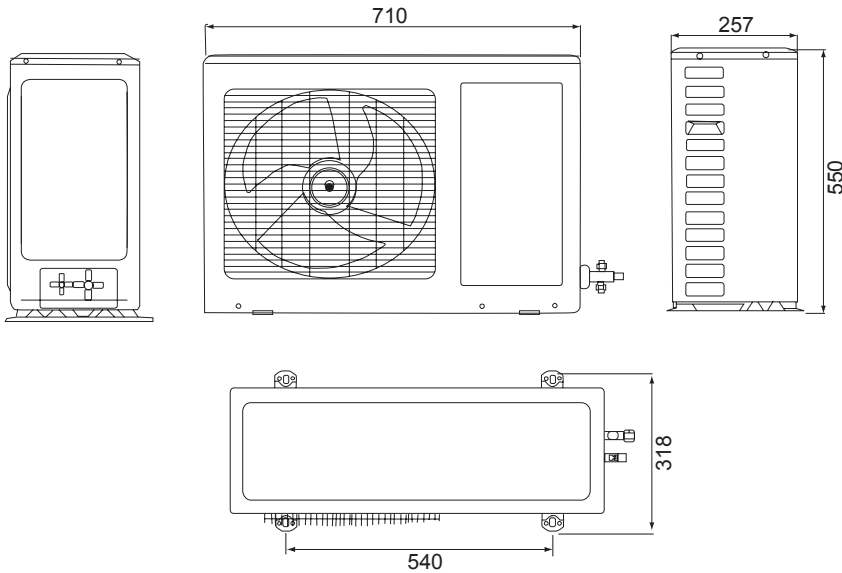
Installation plate



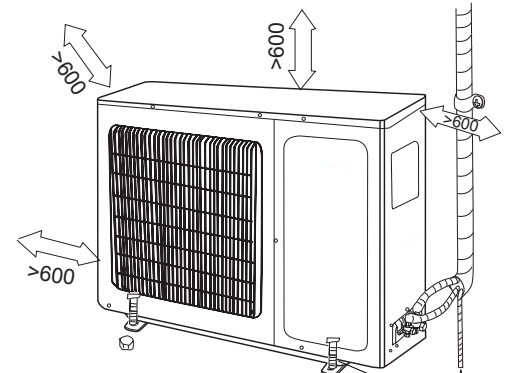
- The dimensions of the space necessary for correct installation of the appliance including the minimum permissible distances to adjacent structures

4TYK5512A1

Unit: mm



REQUIRED SPACE



600mm or more without any obstruction in front and on both sides of the unit.



Trane optimizes the performance of homes and buildings around the world. A business of Ingersoll Rand, the leader in creating and sustaining safe, comfortable and energy efficient environments, Trane offers a broad portfolio of advanced controls and HVAC systems, comprehensive building services, and parts. For more information, visit www.trane.com.

