

Parts List Number :MYWUP1

Model Number :4MYW5524A1000AA

Part No.	Reference No.	Quantity	Description
76001671	SEC 01		MODEL NOMENCLATURE
76001684	SEC 03		GENERAL ASSEMBLY

MODEL NOMENCLATURE

76001671

REV
A

Gree Indoor Unit – Inverter High Wall Systems

Model Number Example

4 M X W 4 5 1 2 A 1 0 0 0 A A
1 2 3 4 5 6 7 8 9 10 11 12 13 14 15

Digit 1 = Refrigerant
 4 = R-410a

Digit 2 = Brand Name
 M = Trane Mini-Split High Wall Unit

Digit 3 = Functional Type
 X = Heat Pump Inverter
 Y = Cooling Only Inverter

Digit 4 = Configuration Indoor Unit
 W = High Wall Unit

Digit 5 = Efficiency Tier
 2 - 20+ SEER
 4 - 14.5+ SEER
 6 - 16+ SEER
 8 - 18+ SEER

Digit 6 = Connection Type
 5 - Flare

Digit 7,8 = Nominal Capacity
 (Btu/h x 1,000)
 09 = 9,000 Btu/h
 12 = 12,000 Btu/h
 18 = 18,000 Btu/h
 24 = 24,000 Btu/h
 30 = 30,000 Btu/h
 36 = 36,000 Btu/h

Digit 9 = Major Development Sequence
 A = First Development Sequence
 B = Second Development Sequence
 C = Third Development Sequence

Digit 10 = Electric Power Supply Characteristics
 1 = 220/60/1
 3 = 208-230/60/3
 4 = 460/60/3
 6 = 220/60/3
 9 = 115/60/1
 B = 220-240/50/1
 C = 380/50/3
 D = 380-415/50/3
 K = 380/60/3

Digit 11, 12, 13 = Reserved for Future Use
 0 = Not Currently Used

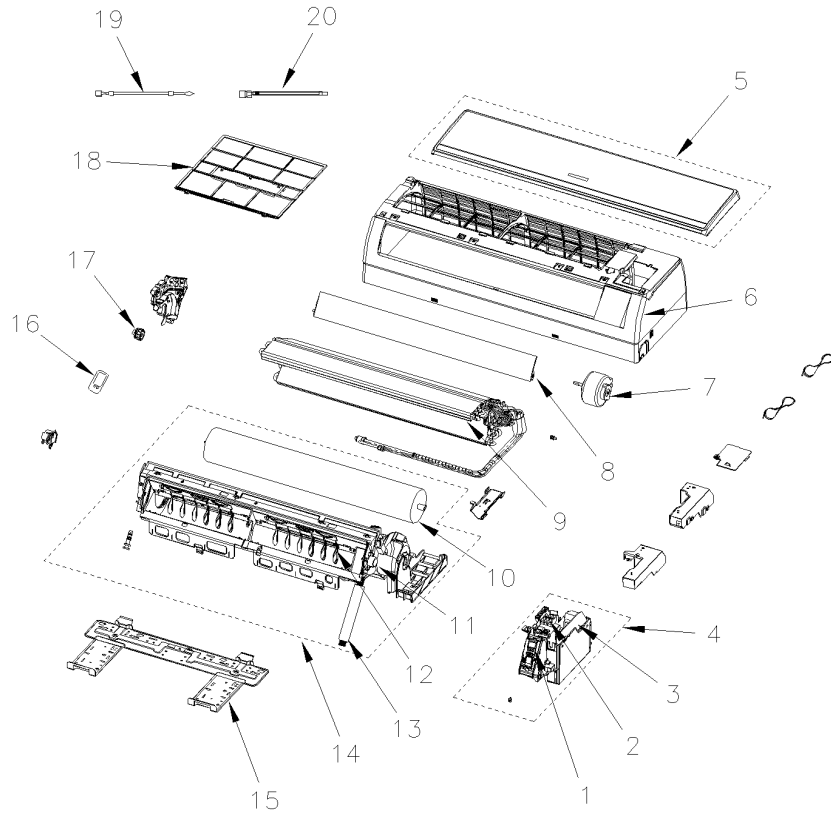
Digit 14 = Minor Design Sequence
 A = First Design Sequence
 B = Second Design Sequence
 C = Third Design Sequence

Digit 15 = Service Digit
 A = First Sequence

GENERAL ASSEMBLY

76001684

REV
A



* NOT ILLUSTRATED
TYPICAL ILLUSTRATION

Part No.	Reference No.	Quantity	Description
BRD03951	1	1	BOARD; DISPLAY BOARD(30568112)
BRD02648	2	1	BOARD; TERMINAL, T4B3A
BRD03948	3	1	BOARD; MAIN BOARD(30138518)
BOX01862	4	1	BOX; ELECTRIC BOX ASSY(2020230203)
PNL27138	5	1	PANEL; FRONT PANEL ASSY(2001251301_K39667)
CAS01849	6	1	CASING; FRONT CASE ASSY(2001251401)
MOT13799	7	1	MOTOR; FAN (1501209801)
GID00113	8	1	GUIDE; GUIDE LOUVER(10512138)
EVP01515	9	1	EVAPORATOR; EVAPORATOR ASSY(01002269)
FAN04373	10	1	FAN; CROSS FLOW (10352030)
MOT13801	11	1	MOTOR; STEP (1521300101)
LVR00943	12	3	LOUVER; AIR LOUVER(10512139)
HSE01638	13	1	HOSE; DRAINAGE HOSE(0523001405)
CAS01851	14	1	CASING; REAR CASE ASSY(2220215701)
FRM01908	15	1	FRAME; WALL MOUNTING FRAME(01252004)
CNT06399	16	1	CONTROL; REMOTE CONTROLLER(30510050_K39667)
GKT04242	17	1	GASKET; O-GASKET SUB-ASSY OF BEARING(76512051)
FLR07206	18	2	FILTER; SUB-ASSY (11122091)
SEN01816	19	1	SENSOR; AMBIENT TEMPERATURE SENSOR(390000453)
SEN01332	20	1	SENSOR, TUBE (390000591)