

<b>Part No.</b>	<b>Reference No.</b>	<b>Quantity</b>	<b>Description</b>
76001671	SEC 01		MODEL NOMENCLATURE
76001683	SEC 02		GENERAL ASSEMBLY

MODEL NOMENCLATURE

76001671

REV  
A

Gree Indoor Unit – Inverter High Wall Systems

Model Number Example

**4 M X W 4 5 1 2 A 1 0 0 0 A A**  
**1 2 3 4 5 6 7 8 9 10 11 12 13 14 15**

Digit 1 = Refrigerant  
 4 = R-410a

Digit 2 = Brand Name  
 M = Trane Mini-Split High Wall Unit

Digit 3 = Functional Type  
 X = Heat Pump Inverter  
 Y = Cooling Only Inverter

Digit 4 = Configuration Indoor Unit  
 W = High Wall Unit

Digit 5 = Efficiency Tier  
 2 - 20+ SEER  
 4 - 14.5+ SEER  
 6 - 16+ SEER  
 8 - 18+ SEER

Digit 6 = Connection Type  
 5 - Flare

Digit 7,8 = Nominal Capacity  
 (Btu/h x 1,000)  
 09 = 9,000 Btu/h  
 12 = 12,000 Btu/h  
 18 = 18,000 Btu/h  
 24 = 24,000 Btu/h  
 30 = 30,000 Btu/h  
 36 = 36,000 Btu/h

Digit 9 = Major Development Sequence  
 A = First Development Sequence  
 B = Second Development Sequence  
 C = Third Development Sequence

Digit 10 = Electric Power Supply Characteristics  
 1 = 220/60/1  
 3 = 208-230/60/3  
 4 = 460/60/3  
 6 = 220/60/3  
 9 = 115/60/1  
 B = 220-240/50/1  
 C = 380/50/3  
 D = 380-415/50/3  
 K = 380/60/3

Digit 11, 12, 13 = Reserved for Future Use  
 0 = Not Currently Used

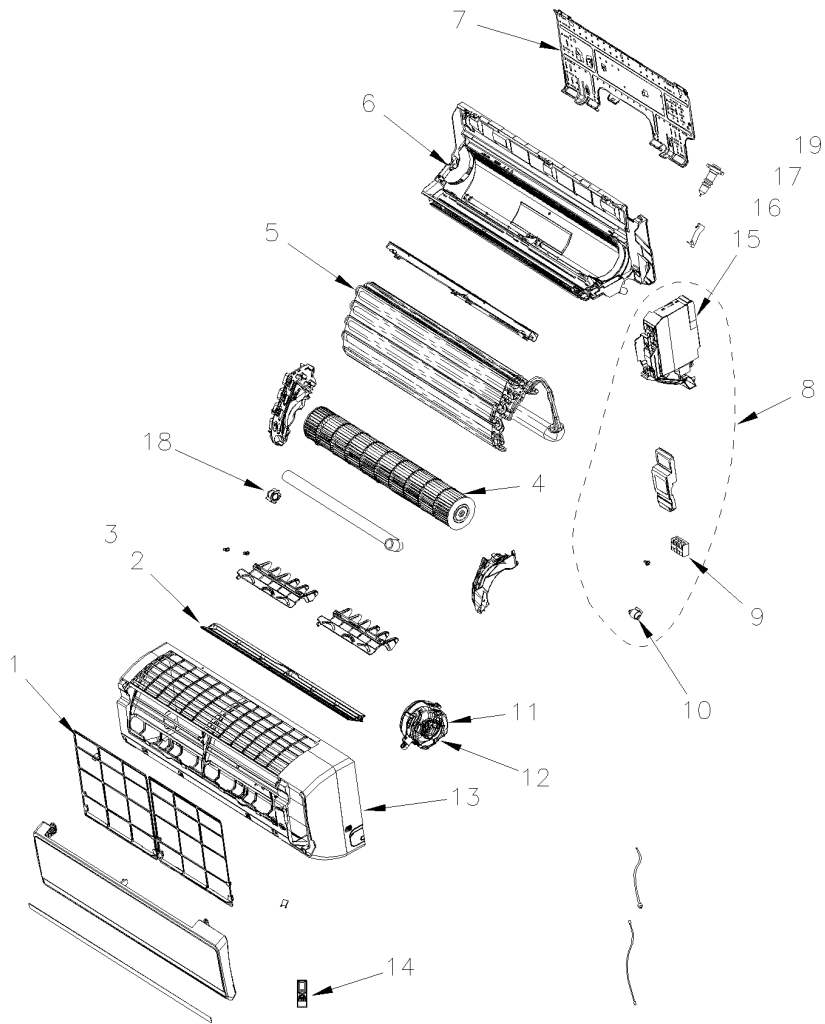
Digit 14 = Minor Design Sequence  
 A = First Design Sequence  
 B = Second Design Sequence  
 C = Third Design Sequence

Digit 15 = Service Digit  
 A = First Sequence

GENERAL ASSEMBLY

76001683

REV  
A



\* NOT ILLUSTRATED  
TYPICAL ILLUSTRATION

Part No.	Reference No.	Quantity	Description
FLR07245	1	2	FILTER; FILTER SUB-ASSY( 1112208201)
GID00112	2	1	GUIDE; GUIDE LOUVER( 10512119)
LVR00944	3	2	LOUVER; AIR LOUVER( 10512160)
FAN04440	4	1	FAN; CROSS FLOW FAN( 10352423)
EVP01518	5	1	EVAPORATOR; EVAPORATOR ASSY( 01002745)
CAS01850	6	1	CASING; REAR CASE ASSY( 2220211902)
FRM01912	7	1	FRAME; WALL MOUNTING FRAME( 0125201801)
BOX01858	8	1	BOX; ELECTRIC BOX ASSY( 2020227602)
BRD02648	9	1	BOARD; TERMINAL, T4B3A
MOT13898	10	1	MOTOR; STEP MOTOR( 1521210701)
MOT13895	11	1	MOTOR; MOTOR SUB-ASSY( 1500200201)
MOT13896	12	1	MOTOR; FAN MOTOR( 1501209301)
CAS01847	13	1	CASING; FRONT CASE ASSY( 2001237501)
CNT06399	14	1	CONTROL; REMOTE CONTROLLER( 30510050_K39667)
BRD03940	15	1	BOARD; MAIN BOARD( 30138131)
SEN01816	16	1	SENSOR; AMBIENT TEMPERATURE SENSOR( 390000453)
RLY03368	17	1	RELAY; RELAY( 44020413)
BRG01795	18	1	BEARING; FAN BEARING( 76512210)
BOX01860	19	1	BOX; ELECTRIC BOX SUB-ASSY( 2020227702)