

<b>Part No.</b>	<b>Reference No.</b>	<b>Quantity</b>	<b>Description</b>
76001671	SEC 01		MODEL NOMENCLATURE
76001684	SEC 03		GENERAL ASSEMBLY

MODEL NOMENCLATURE

76001671

REV  
A

Gree Indoor Unit – Inverter High Wall Systems

Model Number Example

**4 M X W 4 5 1 2 A 1 0 0 0 A A**  
**1 2 3 4 5 6 7 8 9 10 11 12 13 14 15**

Digit 1 = Refrigerant  
 4 = R-410a

Digit 2 = Brand Name  
 M = Trane Mini-Split High Wall Unit

Digit 3 = Functional Type  
 X = Heat Pump Inverter  
 Y = Cooling Only Inverter

Digit 4 = Configuration Indoor Unit  
 W = High Wall Unit

Digit 5 = Efficiency Tier  
 2 - 20+ SEER  
 4 - 14.5+ SEER  
 6 - 16+ SEER  
 8 - 18+ SEER

Digit 6 = Connection Type  
 5 - Flare

Digit 7,8 = Nominal Capacity  
 (Btu/h x 1,000)  
 09 = 9,000 Btu/h  
 12 = 12,000 Btu/h  
 18 = 18,000 Btu/h  
 24 = 24,000 Btu/h  
 30 = 30,000 Btu/h  
 36 = 36,000 Btu/h

Digit 9 = Major Development Sequence  
 A = First Development Sequence  
 B = Second Development Sequence  
 C = Third Development Sequence

Digit 10 = Electric Power Supply Characteristics  
 1 = 220/60/1  
 3 = 208-230/60/3  
 4 = 460/60/3  
 6 = 220/60/3  
 9 = 115/60/1  
 B = 220-240/50/1  
 C = 380/50/3  
 D = 380-415/50/3  
 K = 380/60/3

Digit 11, 12, 13 = Reserved for Future Use  
 0 = Not Currently Used

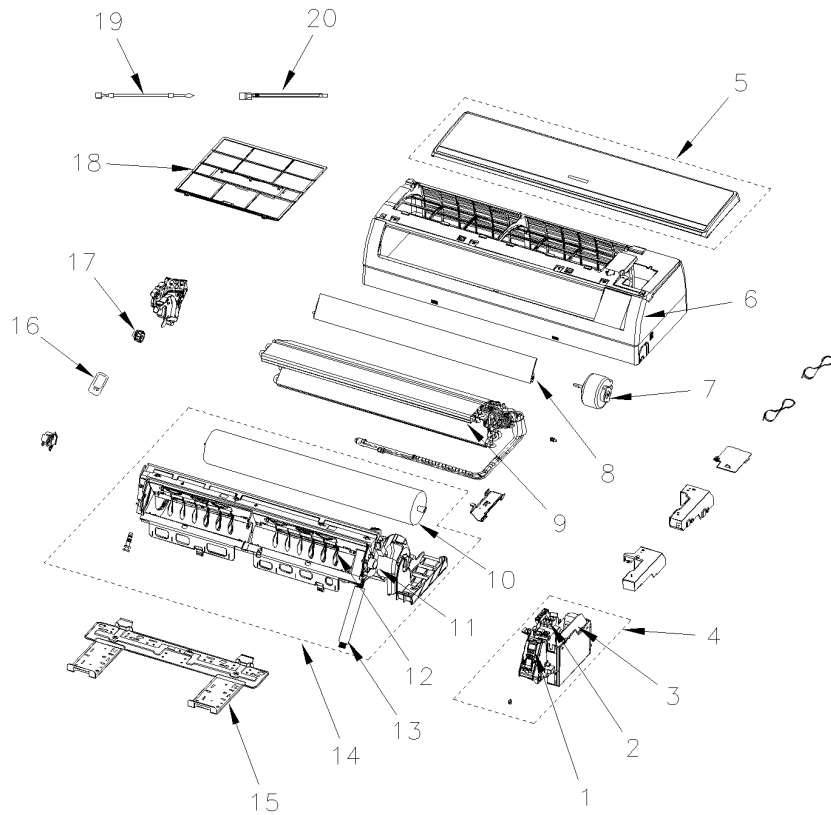
Digit 14 = Minor Design Sequence  
 A = First Design Sequence  
 B = Second Design Sequence  
 C = Third Design Sequence

Digit 15 = Service Digit  
 A = First Sequence

GENERAL ASSEMBLY

76001684

REV  
A



\* NOT ILLUSTRATED  
TYPICAL ILLUSTRATION

Part No.	Reference No.	Quantity	Description
BRD03951	1	1	BOARD; DISPLAY BOARD( 30568112)
BRD02648	2	1	BOARD; TERMINAL, T4B3A
BRD03946	3	1	BOARD; MAIN BOARD( 30138510)
BOX01846	4	1	BOX; ELECTRIC BOX ASSY( 20202387)
PNL27139	5	1	PANEL; FRONT PANEL ASSY( 20012627_K39667)
CAS01848	6	1	CASING; FRONT CASE ASSY( 2001249701)
MOT13800	7	1	MOTOR; FAN (1501211601)
GID00114	8	1	GUIDE; GUIDE LOUVER( 10512140)
EVP01517	9	1	EVAPORATOR; EVAPORATOR ASSY( 01002600)
FAN04439	10	1	FAN; CROSS FLOW FAN( 10352036)
MOT13058	11	1	MOTOR; STEP (15012086)
LVR00944	12	2	LOUVER; AIR LOUVER( 10512160)
HSE01639	13	1	HOSE; DRAINAGE HOSE( 0523001407)
CAS01845	14	1	CASING; REAR CASE ASSY( 22202154)
FRM01911	15	1	FRAME; WALL MOUNTING FRAME( 01252484)
CNT06399	16	1	CONTROL; REMOTE CONTROLLER( 30510050_K39667)
GKT04242	17	1	GASKET; O-GASKET SUB-ASSY OF BEARING( 76512051)
FLR07242	18	2	FILTER; FILTER SUB-ASSY( 11122104)
SEN01816	19	1	SENSOR; AMBIENT TEMPERATURE SENSOR( 390000453)
SEN01817	20	1	SENSOR; TEMPERATURE SENSOR( 390000632)