

<b>Part No.</b>	<b>Reference No.</b>	<b>Quantity</b>	<b>Description</b>
76001670	SEC 01		MODEL NOMENCLATURE
76001689	SEC 03		GENERAL ASSEMBLY

MODEL NOMENCLATURE

76001670

REV  
A

Gree Outdoor Unit – Inverter High Wall Systems

Model Number Example

**4 T X K 5 5 1 2 A 1 P 0 0 A A**  
**1 2 3 4 5 6 7 8 9 10 11 12 13 14 15**

Digit 1 = Refrigerant

4 = R-410a

Digit 2 = Brand Name

T = Trane

Digit 3 = Functional Type

X = Heat Pump Inverter

Y = Cooling Only Inverter

Digit 4 = Configuration Outdoor Unit

K = Single Refrigerant Circuit

Digit 5 = Efficiency Tier

2 - 20+ SEER

5 - 14.5+ SEER

6 - 16+ SEER

8 - 18+ SEER

Digit 6 = Connection Type

5 - Flare

Digit 7,8 = Nominal Capacity

(Btu/h x 1,000)

09 = 9,000 Btu/h

12 = 12,000 Btu/h

18 = 18,000 Btu/h

24 = 24,000 Btu/h

30 = 30,000 Btu/h

36 = 36,000 Btu/h

Digit 9 = Major Development Sequence

A = First Development Sequence

B = Second Development Sequence

C = Third Development Sequence

Digit 10 = Electric Power Supply Characteristics

1 = 220/60/1

3 = 208-230/60/3

4 = 460/60/3

6 = 220/60/3

9 = 115/60/1

B = 220-240/50/1

C = 380/50/3

D = 380-415/50/3

K = 380/60/3

Digit 11 = Factory Supplied Options

P = Piping Kit

Digit 12 = Number of Refrigerant Ports

0 = Standard (Single Port)

Digit 13 = Coil Fin Protection

0 = Standard

C = Corrosion Resistant

Digit 14 = Minor Design Sequence

A = First Design Sequence

B = Second Design Sequence

C = Third Design Sequence

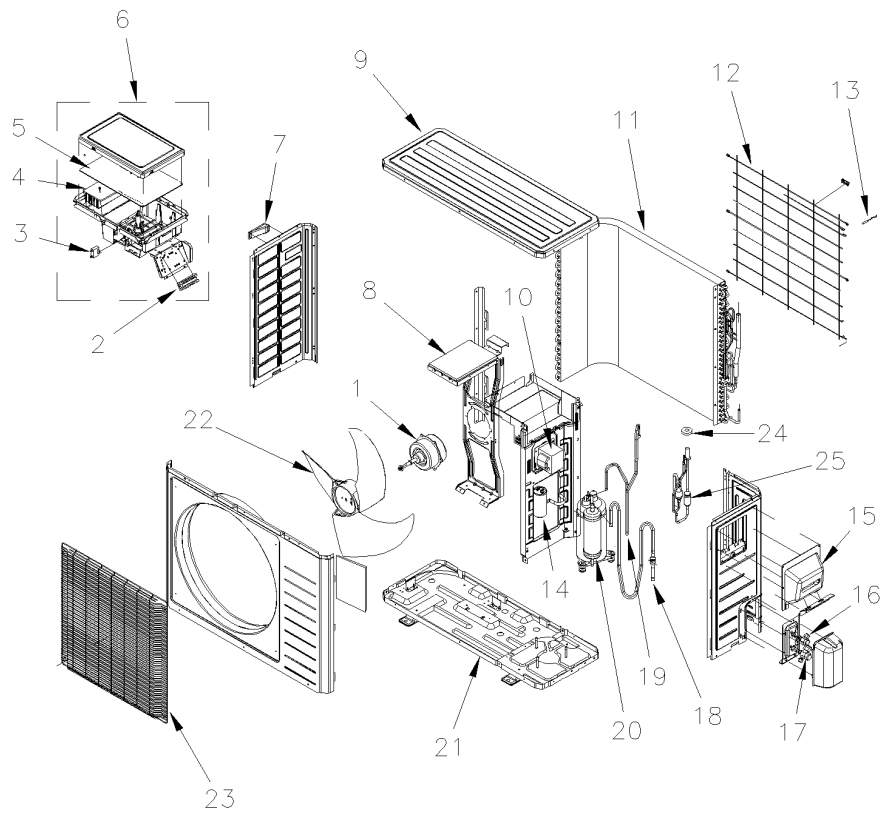
Digit 15 = Service Digit

A = First Sequence

GENERAL ASSEMBLY

76001689

REV  
A



\* NOT ILLUSTRATED  
TYPICAL ILLUSTRATION

Part No.	Reference No.	Quantity	Description
MOT13814	1	1	MOTOR; FAN (1501506302)
BRD03384	2	1	BOARD; TERMINAL (42010255)
CPT01237	3	1	CAPACITOR; 3.5UF/450V
EXC02265	4	1	EXCHANGER; RADIATOR( 49010008)
BRD03943	5	1	BOARD; MAIN BOARD( 30138339)
BOX01848	6	1	BOX; ELECTRIC BOX ASSY( 0260306617)
HDL01103	7	1	HANDLE; LEFT HANDLE( 26235401)
SUP05277	8	1	SUPPORT; MOTOR SUPPORT SUB-ASSY( 01705020)
COV04192	9	1	COVER; TOP COVER( 01255005P)
CNT06350	10	1	CONTROL; REACTOR (43130021)
CDS01444	11	1	CONDENSER; CONDENSER ASSY( 0111338601)
GRL01689	12	1	GRILLE; FRONT GRILL( 01473049)
SEN01804	13	1	SENSOR; TEMPERATURE (3900030901)
CPT01863	14	1	CAPACITOR; CBB65 (33000065)
HDL01100	15	1	HANDLE; HANDLE ASSY( 02113109)
VAL09362	16	1	VALVE; CUT-OFF (LIQUID)(07130239)
VAL09918	17	1	VALVE; CUT-OFF SUB-ASSY (GAS)(07133060)
TUB12685	18	1	TUBE; INHALATION TUBE SUB-ASSY( 03733084)
TUB12684	19	1	TUBE; DISCHARGE TUBE SUB-ASSY( 03733083)
COM09000	20	1	COMPRESSOR; WITH FITTINGS (00103501)
BAS02251	21	1	BASE; CHASSIS SUB-ASSY (0120371401P)
FAN04378	22	1	FAN; AXIAL FLOW (10335008)
GRL01688	23	1	GRILLE; REAR GRILL( 01473043)
FTG01158	24	1	FITTING; ELECTRIC EXPAND VALVE FITTING( 4300876704)
VAL09984	25	1	VALVE; ELECTRONIC EXPANSION VALVE( 07133183)