

Part No.	Reference No.	Quantity	Description
76001670	SEC 01		MODEL NOMENCLATURE
76001689	SEC 03		GENERAL ASSEMBLY

MODEL NOMENCLATURE

76001670

REV
A

Gree Outdoor Unit – Inverter High Wall Systems

Model Number Example

4 T X K 5 5 1 2 A 1 P 0 0 A A
1 2 3 4 5 6 7 8 9 10 11 12 13 14 15

Digit 1 = Refrigerant
 4 = R-410a

Digit 2 = Brand Name
 T = Trane

Digit 3 = Functional Type
 X = Heat Pump Inverter
 Y = Cooling Only Inverter

Digit 4 = Configuration Outdoor Unit
 K = Single Refrigerant Circuit

Digit 5 = Efficiency Tier
 2 - 20+ SEER
 5 - 14.5+ SEER
 6 - 16+ SEER
 8 - 18+ SEER

Digit 6 = Connection Type
 5 - Flare

Digit 7,8 = Nominal Capacity
 (Btu/h x 1,000)

09 = 9,000 Btu/h
 12 = 12,000 Btu/h
 18 = 18,000 Btu/h
 24 = 24,000 Btu/h
 30 = 30,000 Btu/h
 36 = 36,000 Btu/h

Digit 9 = Major Development Sequence
 A = First Development Sequence
 B = Second Development Sequence
 C = Third Development Sequence

Digit 10 = Electric Power Supply Characteristics
 1 = 220/60/1
 3 = 208-230/60/3
 4 = 460/60/3
 6 = 220/60/3
 9 = 115/60/1
 B = 220-240/50/1
 C = 380/50/3
 D = 380-415/50/3
 K = 380/60/3

Digit 11 = Factory Supplied Options
 P = Piping Kit

Digit 12 = Number of Refrigerant Ports
 0 = Standard (Single Port)

Digit 13 = Coil Fin Protection
 0 = Standard
 C = Corrosion Resistant

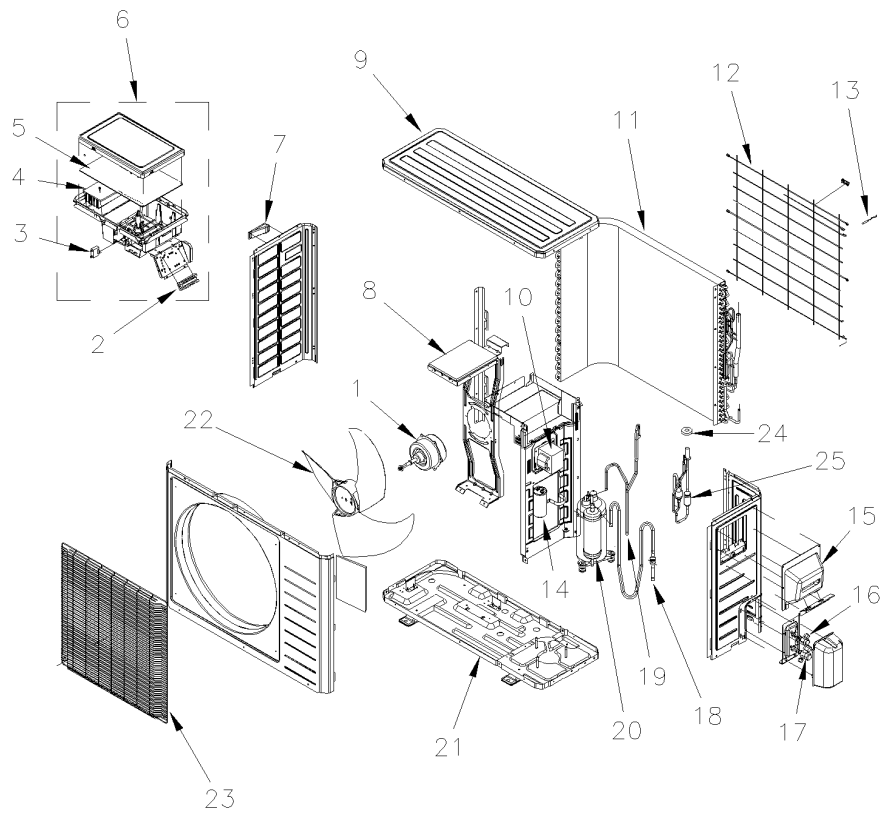
Digit 14 = Minor Design Sequence
 A = First Design Sequence
 B = Second Design Sequence
 C = Third Design Sequence

Digit 15 = Service Digit
 A = First Sequence

GENERAL ASSEMBLY

76001689

REV
A



* NOT ILLUSTRATED
TYPICAL ILLUSTRATION

Part No.	Reference No.	Quantity	Description
MOT13814	1	1	MOTOR; FAN (1501506302)
BRD03384	2	1	BOARD; TERMINAL (42010255)
CPT01237	3	1	CAPACITOR; 3.5UF/450V
EXC02265	4	1	EXCHANGER; RADIATOR(49010008)
BRD03944	5	1	BOARD; MAIN BOARD(30138340)
BOX01843	6	1	BOX; ELECTRIC BOX ASSY(02603326)
HDL01103	7	1	HANDLE; LEFT HANDLE(26235401)
SUP05277	8	1	SUPPORT; MOTOR SUPPORT SUB-ASSY(01705020)
COV04192	9	1	COVER; TOP COVER(01255005P)
CNT06350	10	1	CONTROL; REACTOR (43130021)
CDS01443	11	1	CONDENSER; CONDENSER ASSY(01113630)
GRL01689	12	1	GRILLE; FRONT GRILL(01473049)
SEN01804	13	1	SENSOR; TEMPERATURE (3900030901)
CPT01863	14	1	CAPACITOR; CBB65 (33000065)
HDL01100	15	1	HANDLE; HANDLE ASSY(02113109)
VAL09985	16	1	VALVE; CUT-OFF VALVE SUB-ASSY(07133204)
VAL09918	17	1	VALVE; CUT-OFF SUB-ASSY (GAS)(07133060)
TUB12685	18	1	TUBE; INHALATION TUBE SUB-ASSY(03733084)
TUB12684	19	1	TUBE; DISCHARGE TUBE SUB-ASSY(03733083)
COM09000	20	1	COMPRESSOR; WITH FITTINGS (00103501)
BAS02251	21	1	BASE; CHASSIS SUB-ASSY (0120371401P)
FAN04378	22	1	FAN; AXIAL FLOW (10335008)
GRL01688	23	1	GRILLE; REAR GRILL(01473043)