

Part No.	Reference No.	Quantity	Description
76001670	SEC 01		MODEL NOMENCLATURE
76001688	SEC 02		GENERAL ASSEMBLY

MODEL NOMENCLATURE

76001670

REV
A

Gree Outdoor Unit – Inverter High Wall Systems

Model Number Example

4 T X K 5 5 1 2 A 1 P 0 0 A A
1 2 3 4 5 6 7 8 9 10 11 12 13 14 15

Digit 1 = Refrigerant
 4 = R-410a

Digit 2 = Brand Name
 T = Trane

Digit 3 = Functional Type
 X = Heat Pump Inverter
 Y = Cooling Only Inverter

Digit 4 = Configuration Outdoor Unit
 K = Single Refrigerant Circuit

Digit 5 = Efficiency Tier
 2 - 20+ SEER
 5 - 14.5+ SEER
 6 - 16+ SEER
 8 - 18+ SEER

Digit 6 = Connection Type
 5 - Flare

Digit 7,8 = Nominal Capacity
 (Btu/h x 1,000)

09 = 9,000 Btu/h
 12 = 12,000 Btu/h
 18 = 18,000 Btu/h
 24 = 24,000 Btu/h
 30 = 30,000 Btu/h
 36 = 36,000 Btu/h

Digit 9 = Major Development Sequence
 A = First Development Sequence
 B = Second Development Sequence
 C = Third Development Sequence

Digit 10 = Electric Power Supply Characteristics
 1 = 220/60/1
 3 = 208-230/60/3
 4 = 460/60/3
 6 = 220/60/3
 9 = 115/60/1
 B = 220-240/50/1
 C = 380/50/3
 D = 380-415/50/3
 K = 380/60/3

Digit 11 = Factory Supplied Options
 P = Piping Kit

Digit 12 = Number of Refrigerant Ports
 0 = Standard (Single Port)

Digit 13 = Coil Fin Protection
 0 = Standard
 C = Corrosion Resistant

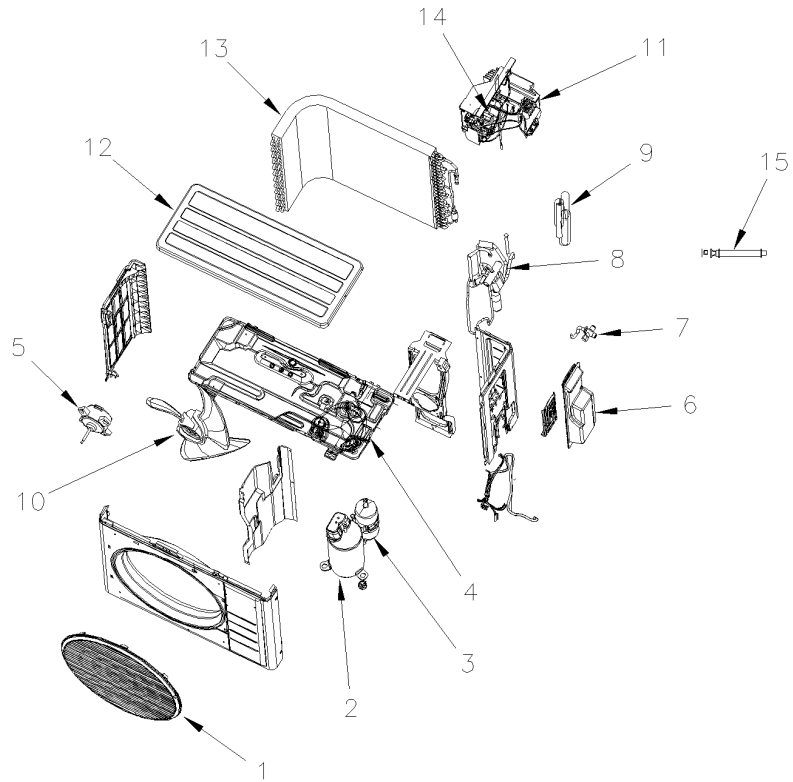
Digit 14 = Minor Design Sequence
 A = First Design Sequence
 B = Second Design Sequence
 C = Third Design Sequence

Digit 15 = Service Digit
 A = First Sequence

GENERAL ASSEMBLY

76001688

REV
A



* NOT ILLUSTRATED
TYPICAL ILLUSTRATION

Part No.	Reference No.	Quantity	Description
GRL01690	1	1	GRILLE; FRONT GRILL(01473053)
COM09959	2	1	COMPRESSOR; COMPRESSOR AND FITTINGS(0010376101)
OLD00609	3	1	OVERLOAD; OVERLOAD PROTECTOR(00181067)
BAS02252	4	1	BASE; CHASSIS SUB-ASSY (0120390901P)
MOT13897	5	1	MOTOR; FAN MOTOR(1501307301)
HDL01101	6	1	HANDLE; HANDLE(26233044)
VAL09986	7	1	VALVE; CUT-OFF VALVE ASSY(07133602)
TUB12683	8	1	TUBE; DISCHARGE TUBE SUB-ASSY(03733025)
TUB12674	9	1	TUBE; CAPILLARY SUB-ASSY(03063056)
FAN04441	10	1	FAN; AXIAL FLOW FAN SUB-ASSY(1033300901)
BOX01850	11	1	BOX; ELECTRIC BOX ASSY(0260326602)
COV04191	12	1	COVER; TOP COVER SUB-ASSY(0125304001)
CDS01441	13	1	CONDENSER; CONDENSER ASSY(01113501)
BRD03936	14	1	BOARD; MAIN BOARD(30138106)
SEN01815	15	1	SENSOR; TEMPERATURE SENSOR(39000304)